

STIGA

Twinclip 55 SV H (2019)

294563038/ST1

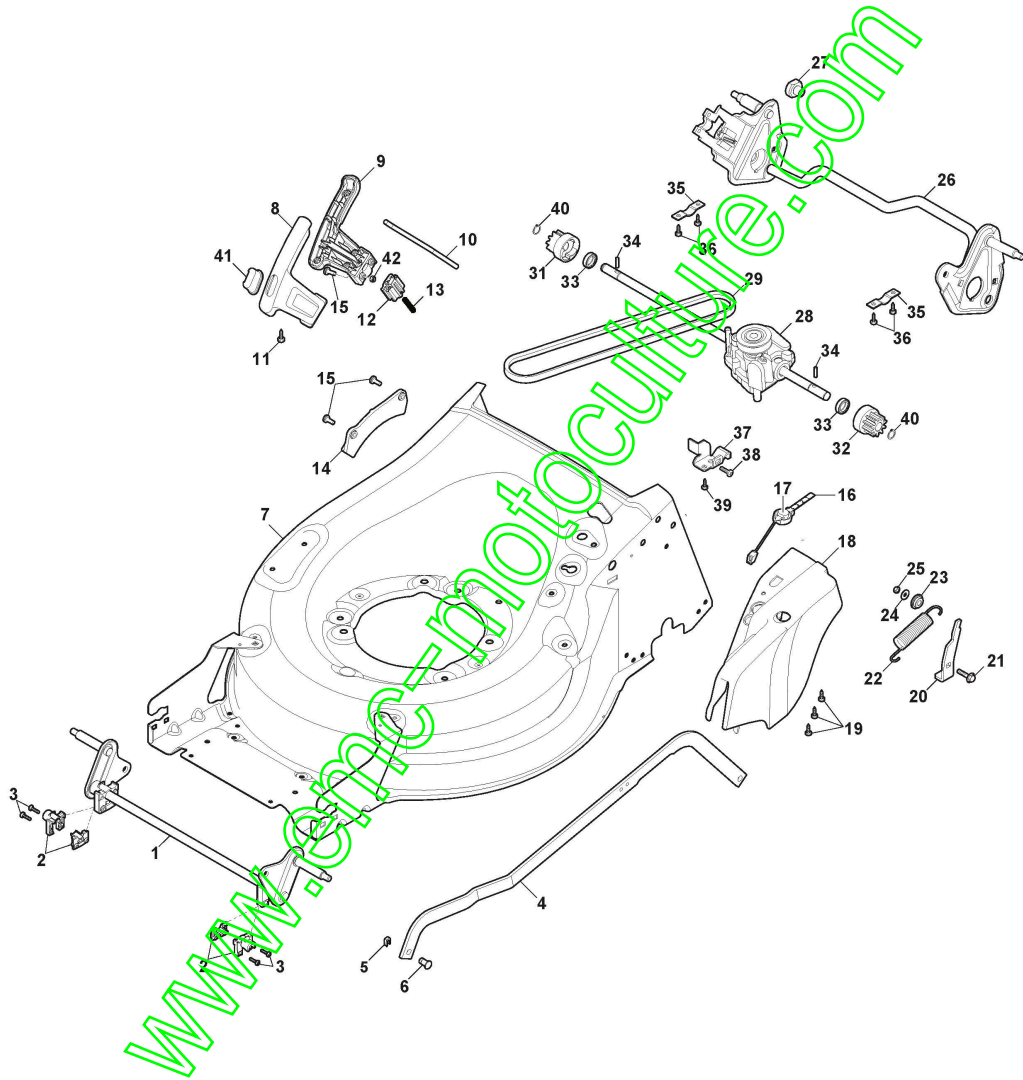
Spare parts list
Reservdelar
Repuestos
Ersatzteile
Pièces détachées
Reserve onderdelen
Catalogo ricambi



www.emc-motoculture.com

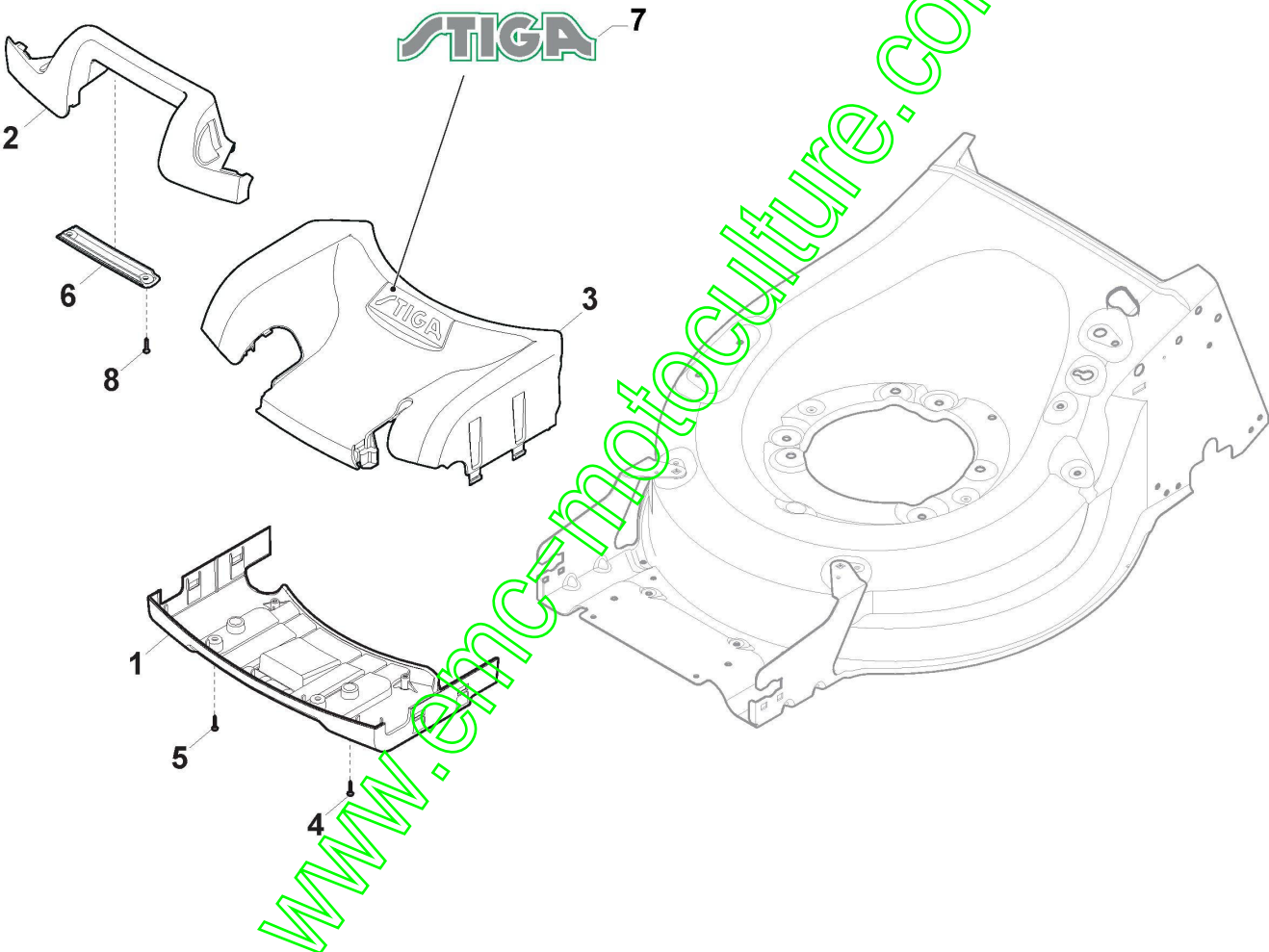
- Use ST. S.p.A. Genuine Spare Parts specified in the parts list for repair and/or replacement.
- The contents described in the parts list may change due to improvement.
- The drawings of the spare parts are only indicative And might Not represent the part in question exactly.
- The indications "right" - "left" - "front" - "rear" refer to the position of the operator when using the machine.
- When placing orders of parts for repair And/Or replacement, make sure that the illustrated parts list is the one applying to the machine's year of manufacture, as shown on the identification plate attached to the machine.

All rights reserved. No part Of this material may be reproduced Or transmitted, in any form Or by any means, electronic Or mechanical, including photocopying, recording Or by any information storage And retrieval system, without permission in writing from ST. S.p.A.



Châssis Et Reglage Hauteur Decoupe

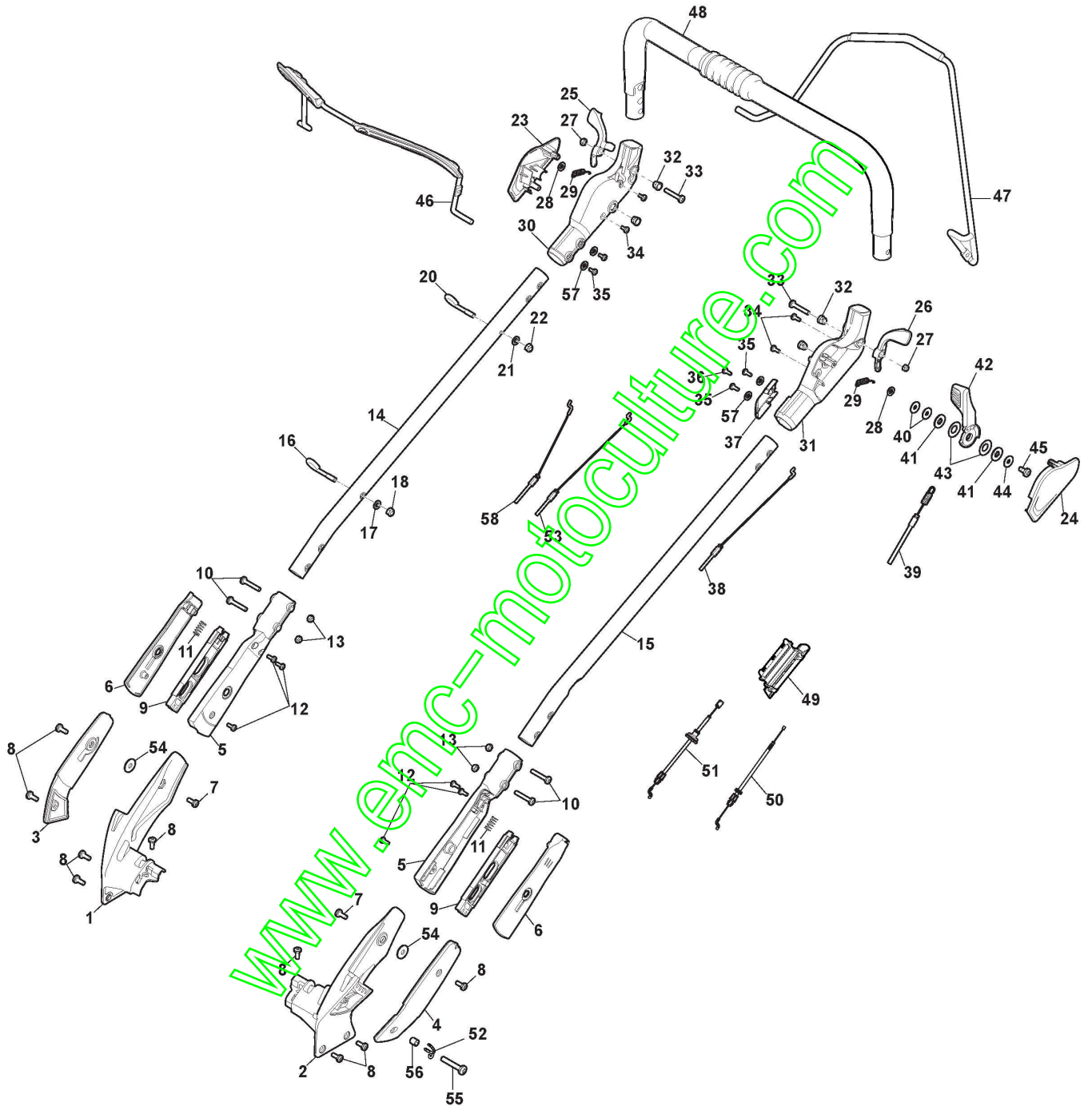
| Réf. N° | Q.té : | Code article | Description | Articles | De | Jusqu'à |
|---------|--------|--------------|-------------------------|------------------|--------------------------------|------------------------------|
| 1 | 1 | 381302903/0 | Axe Roues Avant | | | To S/N 20BA2WBH 094131 |
| 1 | 1 | 381302903/1 | Axe Roues Avant | | From S/N 20BA2WBH 094131 | |
| 2 | 2 | 322785305/1 | Support | | | |
| 3 | 4 | 112728697/0 | Vis | | | |
| 4 | 1 | 322869693/1 | Tige Commande de Roues | | | To S/N 20BA2WBH 072227 |
| 4 | 1 | 322869693/2 | Tige Commande de Roues | | From S/N 20BA2WBH 072227 | |
| 5 | 2 | 112000930/0 | Anneau Benzing | | From 04-January- 2021 | To |
| 5 | 2 | 112436051/0 | Plaquette | | | |
| 6 | 2 | 122519823/0 | Pivot | | | |
| 7 | 1 | 381004839/0 | Châssis Gris | | | To |
| 7 | 1 | 381004855/1 | Châssis Gris | | From 01-Septem- ber-2018 | |
| 8 | 1 | 322394534/0 | Poignée | | | |
| 9 | 1 | 322394554/0 | Poignée Inférieure | Black and Yellow | | |
| 10 | 1 | 322869723/0 | Tige | | | |
| 11 | 4 | 112728697/0 | Vis | | | |
| 12 | 1 | 322109580/0 | Slide | | | |
| 13 | 1 | 122450484/0 | Ressort | | | |
| 14 | 1 | 322735592/0 | Secteur Reglage Hauteur | | | |
| 15 | 2 | 112735654/0 | Vis | | | |
| 16 | 1 | 322602031/0 | Plaquette Reglage | | | |
| 17 | 1 | 322602027/0 | Lentille | | | |
| 18 | 1 | 322055335/0 | Châssis Reglage | | | |
| 19 | 3 | 112728699/0 | Vis | | | |
| 20 | 1 | 322778475/0 | Etrier | | | |
| 21 | 1 | 112815270/0 | Vis | | | |
| 22 | 1 | 122450480/0 | Ressort | | | |
| 23 | 1 | 122517873/0 | Pivot | | | |
| 24 | 1 | 112523040/0 | Rondelle | | | |
| 25 | 1 | 112154510/0 | Ecrou | | | |
| 26 | 1 | 381302905/0 | Axe Roues Arriere | | | To S/N 20BA2WBH 093246 |
| 26 | 1 | 381302905/1 | Axe Roues Arriere | | From S/N 20BA2WBH 093246 | |
| 27 | 2 | 322038407/0 | Douille | | | |
| 28 | 1 | 181003119/0 | Groupe Traction | | | |
| 29 | 1 | 135064394/0 | Courroie | | | |
| 31 | 1 | 122570110/1 | Pignon Droit | | | To 31-April-20 21 |
| 31 | 1 | 322570138/0 | Pignon Droit | | From | |
| 32 | 1 | 122570120/1 | Pignon Gauche | | | To 31-April-20 21 |
| 32 | 1 | 322570139/0 | Pignon Gauche | | From | |
| 33 | 2 | 119216035/0 | Roulement | | | |
| 34 | 2 | 122753000/0 | Goupille | | | |
| 35 | 2 | 322545147/0 | Plaquette | | | |
| 36 | 4 | 112735654/0 | Vis | | | |
| 37 | 1 | 322778491/0 | Plaquette | | | |
| 38 | 1 | 112735664/0 | Vis | | | |
| 39 | 1 | 112735654/0 | Vis | | | |
| 40 | 4 | 112608600/0 | Seeger | | | |
| 41 | 1 | 322602029/0 | Poussoir | | | |
| 42 | 2 | 112154330/0 | Ecrou | | | |



Mesque

| Réf. N° | Q.té : | Code article | Description | Articles | De | Jusqu'à |
|---------|--------|--------------|----------------------|----------|----|---------|
| 1 | 1 | 322500113/0 | Admission d'air | | | |
| 2 | 1 | 381393704/0 | Poignée | | | |
| 3 | 1 | 322226241/0 | Mesque, Gris | | | |
| 4 | 2 | 112735654/0 | Vis | | | |
| 5 | 4 | 112728697/0 | Vis | | | |
| 6 | 1 | 322393756/0 | Poignee Anterieure | | | |
| 7 | 1 | 114367494/2 | Etiquette STIGA logo | | | |
| 8 | 2 | 112728210/0 | Vis | | | |

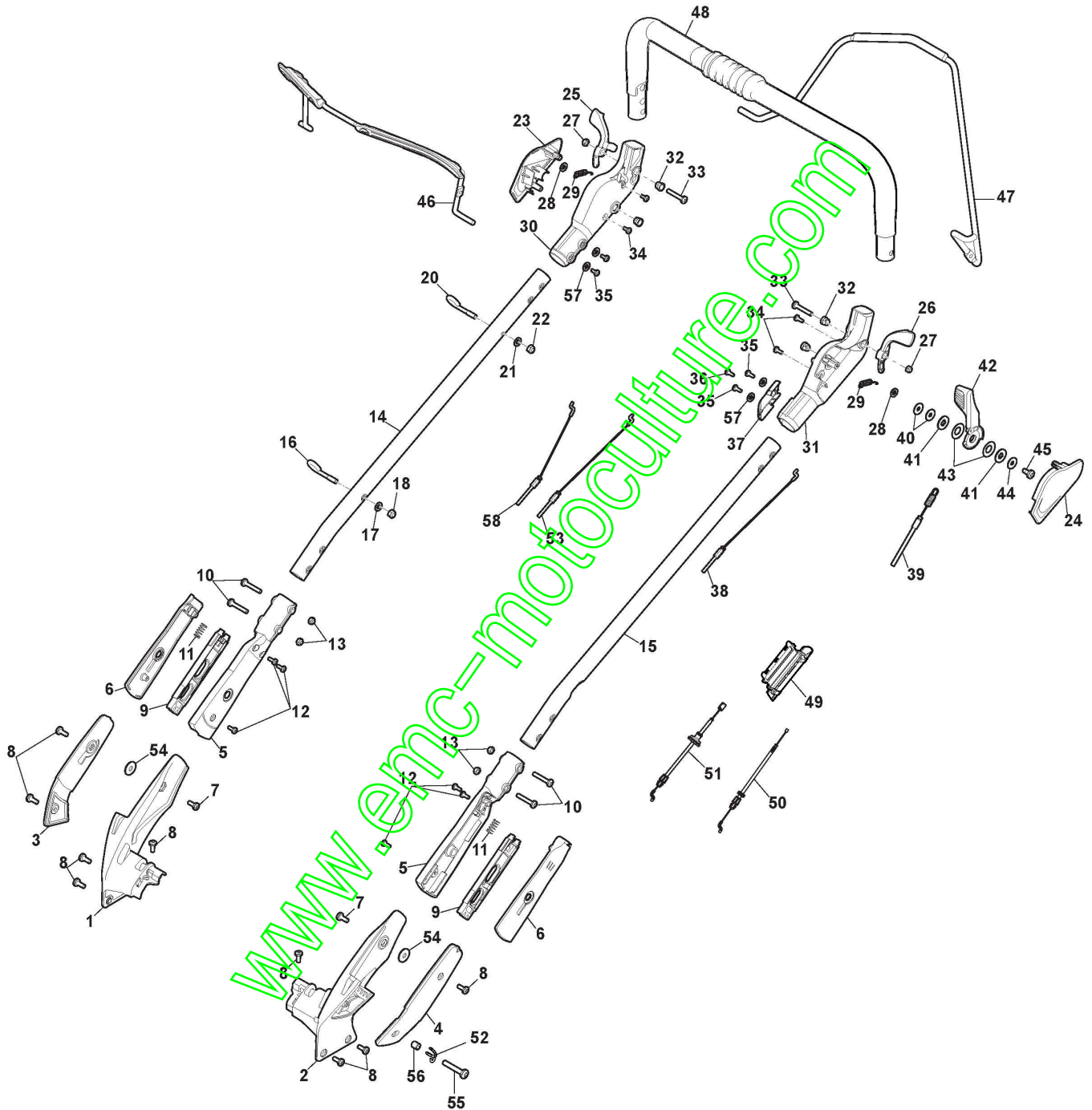
www.emc-motoculture.com



Carter De Coupe/Mancheron, Partie Superieure

| Réf. N° | Q.té : | Code article | Description | Articles | De | Jusqu'à |
|---------|--------|--------------|-------------------------------------|----------|------|-----------------------|
| 1 | 1 | 381005219/0 | Bride Droit | | | To 03-October-2016 |
| 1 | 1 | 381005219/1 | Bride Droit | | From | To 03-October-2016 |
| 2 | 1 | 381005221/0 | Bride Gauche | | | To 03-October-2016 |
| 2 | 1 | 381005221/1 | Bride Gauche | | From | To 03-October-2016 |
| 3 | 1 | 381005223/0 | Couvre Droite | | | To 03-October-2016 |
| 3 | 1 | 381005239/0 | Couvre Droite | | From | To 03-October-2016 |
| 4 | 1 | 381005225/0 | Couvre Gauche | | | To 03-October-2016 |
| 4 | 1 | 381005241/0 | Couvre Gauche | | From | To 03-October-2016 |
| 5 | 2 | 381005233/0 | External Guide | | | To 17-October-2016 |
| 5 | 2 | 381005247/0 | External Guide | | From | To 17-October-2016 |
| 6 | 1 | 381005229/0 | Guide de Curseur | | | To 17-October-2016 |
| 6 | 1 | 381005245/0 | Internal Guide | | From | To 17-October-2016 |
| 7 | 2 | 122517885/0 | Pivot | | | |
| 8 | 9 | 112735664/0 | Vis | | | |
| 9 | 2 | 322246106/0 | Cursor | | | |
| 10 | 4 | 112727783/0 | Vis | | | |
| 11 | 2 | 125430202/1 | Ressort | | | |
| 12 | 6 | 112735651/0 | Vis | | | |
| 13 | 4 | 112154510/0 | Ecrou | | | |
| 14 | 1 | 381007579/0 | Mancheron, Partie Superieure Droite | | | |
| 15 | 1 | 381007591/0 | Mancheron, Partie Superieure Gauche | | | |
| 16 | 1 | 122430318/0 | Ressort De Guide | | | |
| 17 | 1 | 112521330/0 | Rondelle | | | |
| 18 | 1 | 112154510/0 | Ecrou | | | |
| 20 | 1 | 122430314/0 | Ressort | | | |
| 21 | 1 | 112521330/0 | Rondelle | | | |
| 22 | 1 | 112154510/0 | Ecrou | | | |
| 23 | 1 | 381004848/0 | Protection Droit | | | |
| 24 | 1 | 381004849/0 | Protection Gauche | | | |
| 25 | 1 | 322722823/0 | Levier Droit | | | |
| 26 | 1 | 322722822/0 | Levier Gauche | | | |
| 27 | 2 | 112154510/0 | Ecrou | | | |
| 28 | 2 | 112604897/0 | Disque Elastique | | | |
| 29 | 2 | 122450490/0 | Ressort | | | |
| 30 | 1 | 381007580/0 | Jointe Droit | | | |
| 31 | 1 | 381007581/0 | Jointe Gauche | | | |
| 32 | 4 | 322041967/1 | Douille | | | |
| 33 | 2 | 112728721/0 | Vis | | | |
| 34 | 4 | 112735651/0 | Vis | | | |
| 35 | 4 | 112735664/0 | Vis | | | |
| 36 | 1 | 112735651/0 | Vis | | | |
| 37 | 1 | 322557108/0 | Plaque | | | |
| 38 | 1 | 381030120/0 | Cable Com. Cursor. Assy | | | |
| 39 | 1 | 381030122/0 | Variator Cable | | | |
| 40 | 2 | 112508127/0 | Rondelle | | | |
| 41 | 2 | 322672157/0 | Rondelle | | | |
| 42 | 2 | 381007228/0 | Variator Lever Assy | Yellow | | To 31-August- |

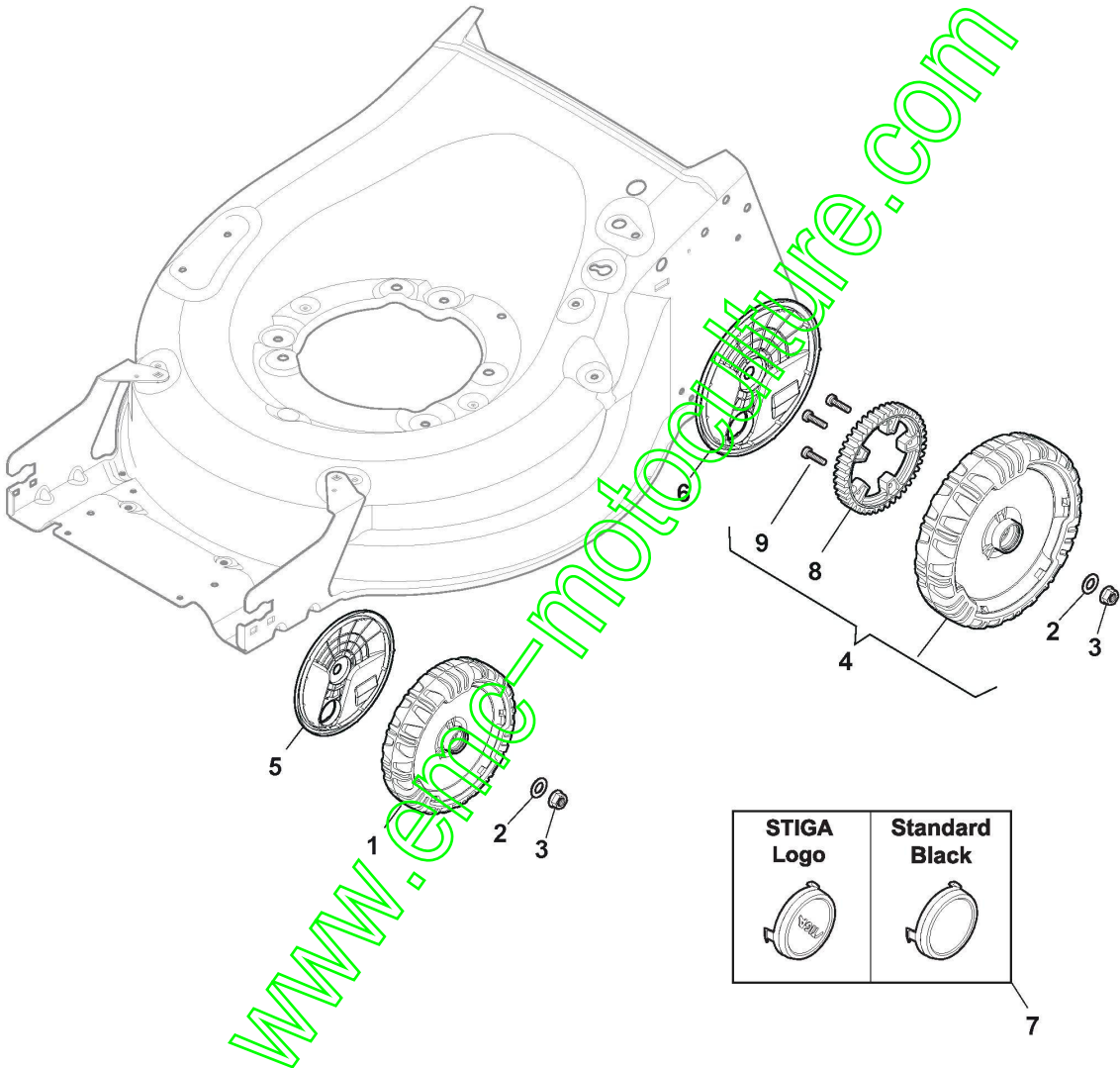
www.emc-motoculture.com



Carter De Coupe/Mancheron, Partie Superieure

| Réf. N° | Q.té : | Code article | Description | Articles | De | Jusqu'à |
|---------|--------|--------------|--------------------------------------------------|----------|------|----------------------|
| 42 | 2 | 381007228/1 | Variator Lever Assy | Yellow | From | |
| 43 | 2 | 322672155/0 | Rondelle | | | |
| 44 | 1 | 112523040/0 | Rondelle | | | |
| 45 | 1 | 112735651/0 | Vis | | | |
| 46 | 1 | 381003472/1 | Levier Frein Moteur | | | |
| 47 | 1 | 381003349/0 | Levier Traction | | | |
| 48 | 1 | 381007590/0 | Mancheron, Partie Superieure avec éponge poignée | | | |
| 49 | 1 | 322246112/0 | Connection Superieure | | | |
| 50 | 1 | 381030126/0 | Variator Cable | | | |
| 51 | 1 | 381030106/0 | Câble Embrayage Inferieure | | | To |
| 51 | 1 | 381030130/0 | Câble Embrayage Inferieure | | From | 01-Novemb er-2016 |
| 52 | 1 | 122430324/0 | Ressort De Guide | | | |
| 53 | 1 | 381030127/0 | Câble Embrayage Superieure | | | |
| 54 | 2 | 122675110/0 | Rondelle | | | To |
| 54 | 1 | 9694-0001-00 | Rondelle | | From | 31-August- 2017 |
| 55 | 1 | 112735660/0 | Vis | | | |
| 56 | 1 | 122170610/0 | Entretoise | | | |
| 57 | 4 | 112543001/0 | Rondelle | | | |
| 58 | 1 | 181030129/0 | Cable Frein Moteur | | | |

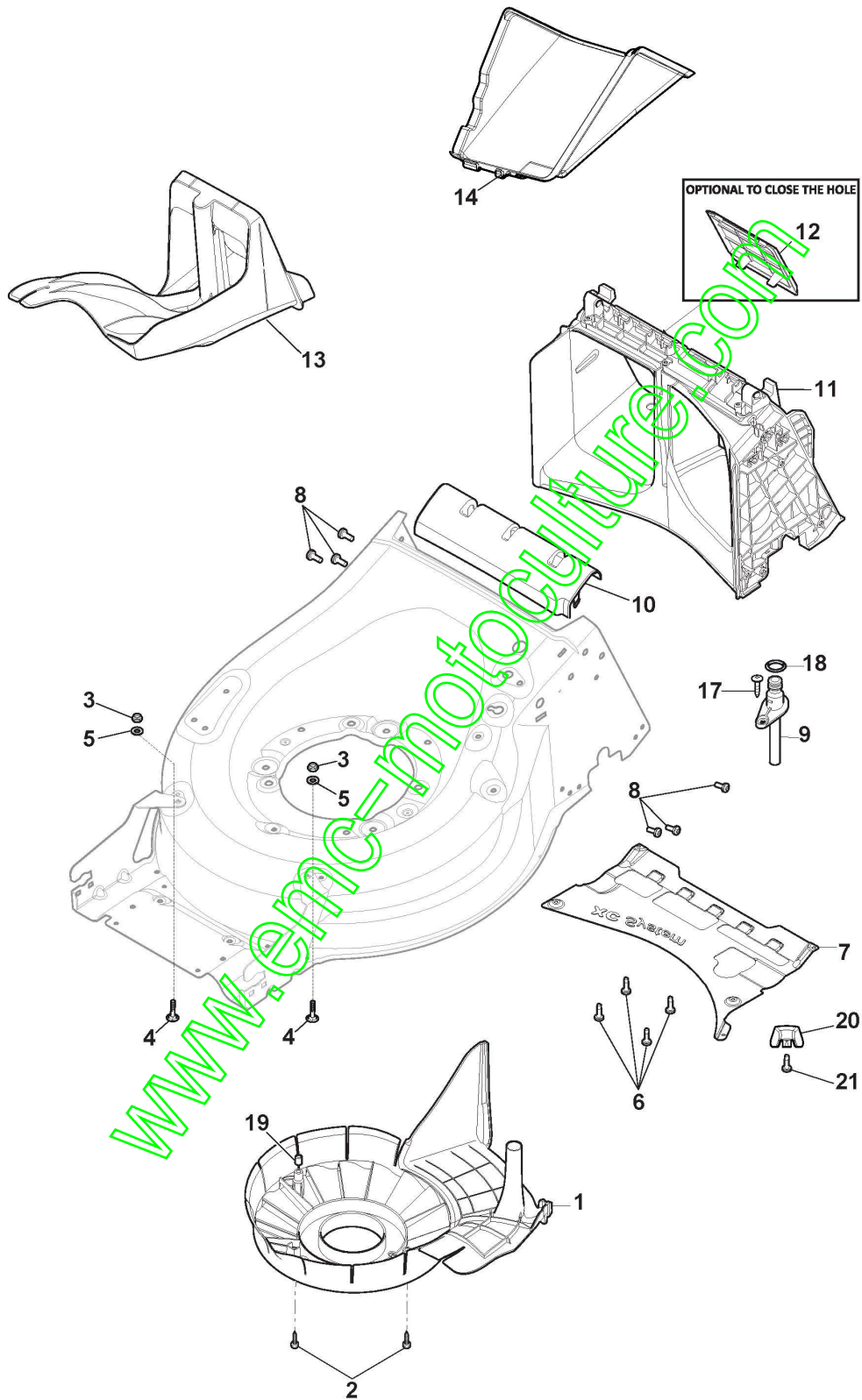
www.emc-motoculture.com



Roues et Couver-Moyeu

| Réf. N° | Q.té : | Code article | Description | Articles | De | Jusqu'à |
|---------|--------|--------------|-------------------|-----------------|----|---------|
| 1 | 2 | 381007494/0 | Roue Ø 210 | Aluminium Wheel | | |
| 2 | 2 | 112521350/0 | Rondelle | | | |
| 3 | 2 | 112155000/0 | Ecrou | | | |
| 4 | 2 | 381007800/0 | Roue ø240 | Aluminium Wheel | | |
| 5 | 2 | 322600334/0 | Protection Roue | | | |
| 6 | 2 | 322600333/0 | Protection Roue | | | |
| 7 | 4 | 322110798/0 | Couvre-Moyeu Gris | with STIGA Logo | | |
| 8 | 2 | 322120117/0 | Couronne | | | |
| 9 | 6 | 112735645/0 | Vis | | | |

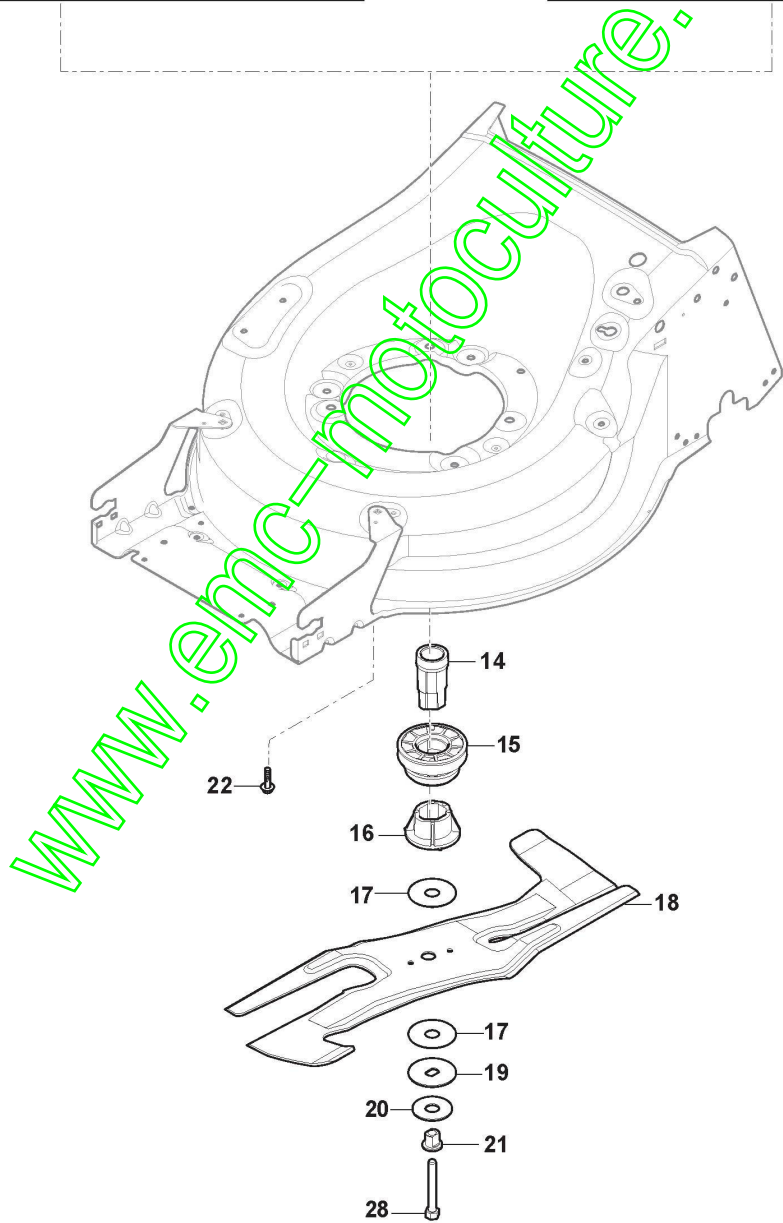
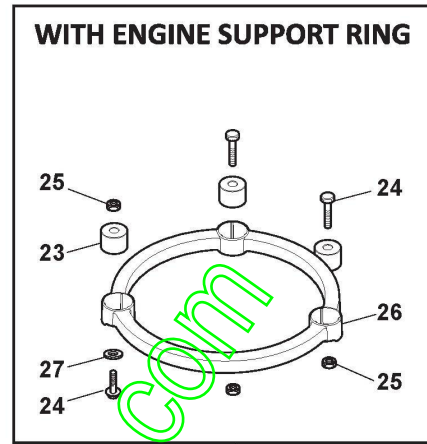
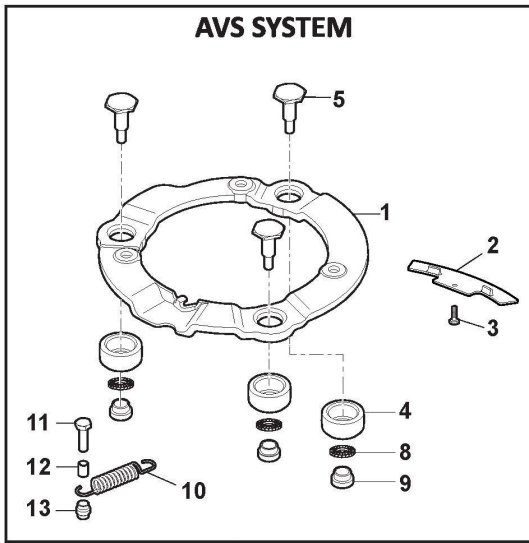
www.emc-motoculture.com



Protection Courroie

| Réf. N° | Q.té : | Code article | Description | Articles | De | Jusqu'à |
|---------|--------|--------------|---------------------|------------------|------|----------------|
| 1 | 1 | 322060271/1 | Protection Mulching | | | To |
| 1 | 1 | 322060271/2 | Protection Mulching | | From | 31-August-2018 |
| 2 | 1 | 112735645/0 | Vis | | | |
| 3 | 2 | 112154510/0 | Ecrou | | | |
| 4 | 2 | 112815205/0 | Vis | | | |
| 5 | 2 | 112521330/0 | Rondelle | | | |
| 6 | 4 | 112735654/0 | Vis | | | |
| 7 | 1 | 322778497/0 | Carter Inferieure | | | |
| 8 | 6 | 112735664/0 | Vis | | | |
| 9 | 1 | 322034006/0 | Attaque Lavage | | | |
| 10 | 1 | 322109578/0 | Support Gris | Grey NCS S8000-N | | |
| 11 | 1 | 381004825/0 | Convoyeur | | | |
| 12 | 1 | 322600310/0 | Rear door | | | |
| 13 | 1 | 322140248/0 | Deflecteur | | | |
| 14 | 1 | 322108319/0 | Rear door | | | |
| 17 | 1 | 112728697/0 | Vis | | | |
| 18 | 1 | 119035000/0 | Joint Or | | | |
| 19 | 2 | 122042073/0 | Douille | | | |
| 20 | 1 | 322943101/0 | Vis | | | |
| 21 | 1 | 112728706/0 | Vis | | | |

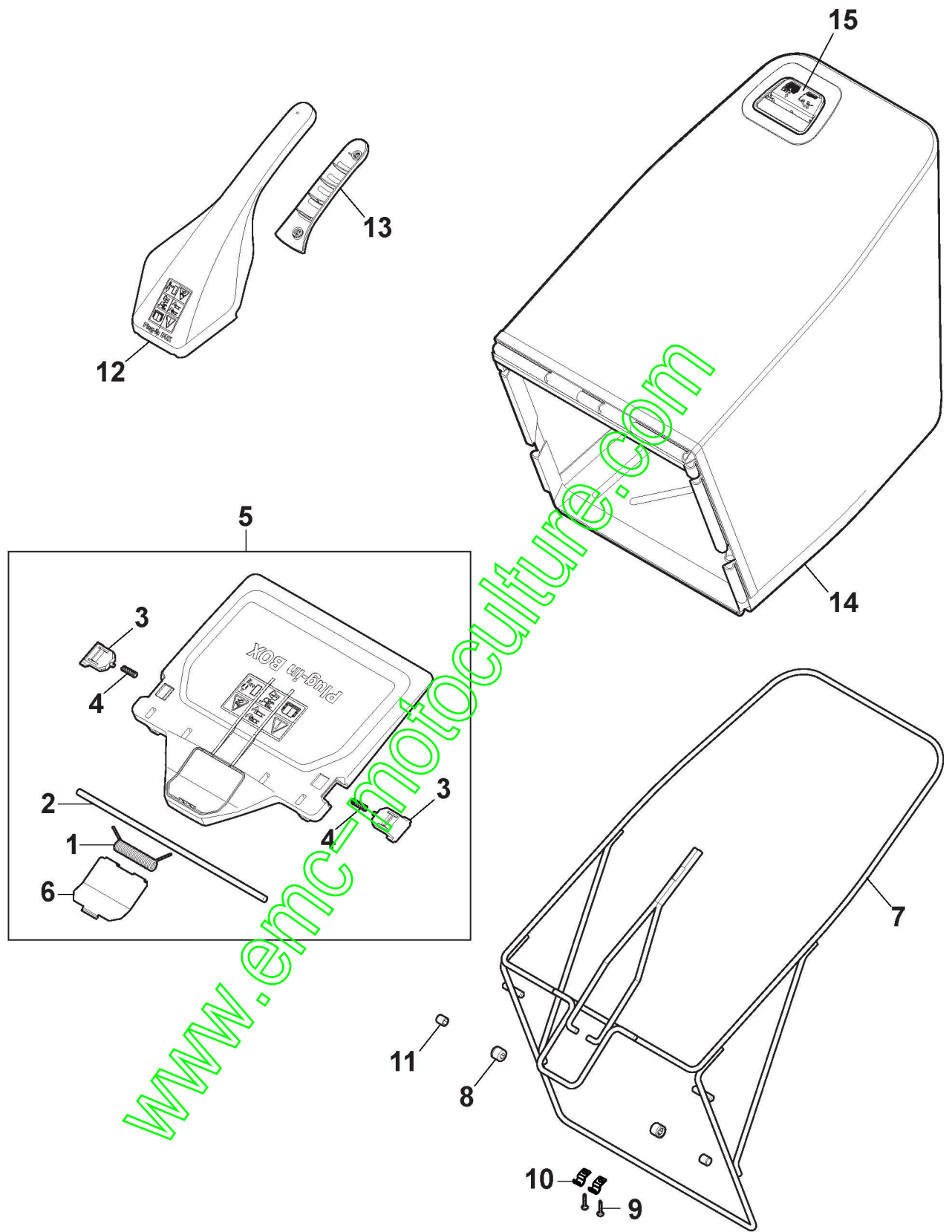
www.emc-motoculture.com



Lame De Coupe

| Réf. N° | Q.té : | Code article | Description | Articles | De | Jusqu'à |
|---------|--------|--------------|-------------|-------------------------------|-------------------------------|---------|
| 1 | 1 | 381207230/0 | Bride | Yellow | | |
| 2 | 1 | 322551536/0 | Plaquette | | | |
| 3 | 1 | 112728210/0 | Vis | | | |
| 4 | 3 | 322250015/0 | Caoutchouc | | | To |
| 4 | 3 | 322250015/1 | Caoutchouc | | From 10-Decemb er-2020 | |
| 5 | 3 | 122519816/0 | Pivot | | | |
| 8 | 3 | 112543002/0 | Rondelle | | | |
| 9 | 3 | 112155000/0 | Ecrou | | | |
| 10 | 1 | 122450439/0 | Ressort | | | |
| 11 | 1 | 112791400/0 | Vis | | | |
| 12 | 1 | 122170846/0 | Entretoise | | | |
| 13 | 1 | 112154510/0 | Ecrou | | | |
| 14 | 1 | 122785494/0 | Support | | | |
| 15 | 1 | 122601933/0 | Poulie | | | |
| 16 | 1 | 1111-9262-01 | Moyeu Lame | Stiga Packed into 122465656/0 | | |
| 16 | 1 | 122465656/0 | Moyeu Lame | | | |
| 17 | 2 | 322672110/1 | Rondelle | | | |
| 18 | 1 | 1111-9257-01 | Lame | Stiga Packed into 181004417/0 | | To |
| 18 | 1 | 1111-9257-02 | Lame | Stiga Packed into 181004417/0 | From 01-Septem ber-2018 | |
| 18 | 1 | 181004417/0 | Lame | | | |
| 19 | 1 | 322672105/0 | Rondelle | | | |
| 20 | 1 | 112508120/0 | Ressort | | | |
| 21 | 1 | 122041943/0 | Douille | | | |
| 22 | 3 | 112735108/1 | Vis | To fix the Engine | | |
| 23 | 3 | 122170835/0 | Entretoise | | | |
| 25 | 3 | 112154210/0 | Ecrou | | | |
| 26 | 1 | 322170964/0 | Schutz | | | |
| 27 | 1 | 112521350/0 | Rondelle | | | |
| 28 | 1 | 112736820/0 | Vis | | | |

www.emc-motoculture.com

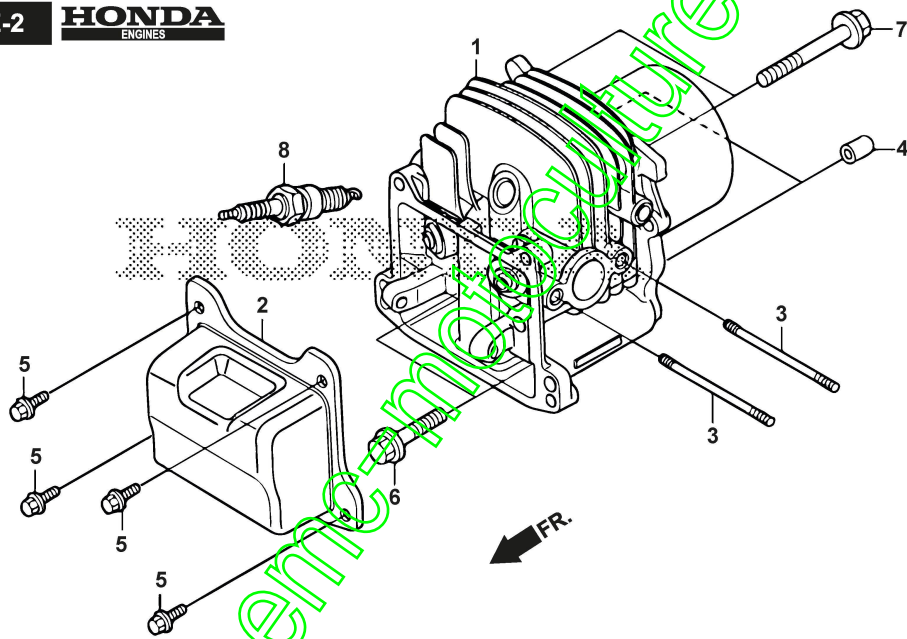


www.emc-motoculture.com

Sac De Ramassage D'Herbe

| Réf. N° | Q.té : | Code article | Description | Articles | De | Jusqu'à |
|---------|--------|--------------|--------------------|-----------------------|-------------------|----------------|
| 1 | 1 | 122450485/0 | Ressort | | | |
| 2 | 1 | 122517884/0 | Pivot | | | |
| 3 | 2 | 322109579/0 | Support | | | |
| 4 | 2 | 122450482/0 | Ressort | | | |
| 5 | 1 | 381008155/0 | Pare-Pierres, Noir | | | To |
| 5 | 1 | 381008155/1 | Pare-Pierres, Noir | | From | 31-August-2016 |
| 6 | 1 | 322551678/0 | Plaque | | | |
| 7 | 1 | 181006431/0 | Châssis Bac | | | To |
| 7 | 1 | 181006431/1 | Châssis Bac | | From | |
| 8 | 2 | 322109582/0 | Capuchon | | 01-September-2019 | |
| 9 | 4 | 112728713/0 | Vis | | | |
| 10 | 2 | 325774220/0 | Etrier | | | |
| 11 | 2 | 322109581/0 | Capuchon | | | |
| 12 | 1 | 322393753/0 | Poignee | Stiga Grey | | |
| 13 | 1 | 322394536/0 | Poignée Inférieure | Yellow | | |
| 14 | 1 | 181102378/0 | Sack, Tuck | Black with Stiga Logo | | |
| 15 | 1 | 322486452/0 | Indicator | Yellow | | |

www.emc-motoculture.com



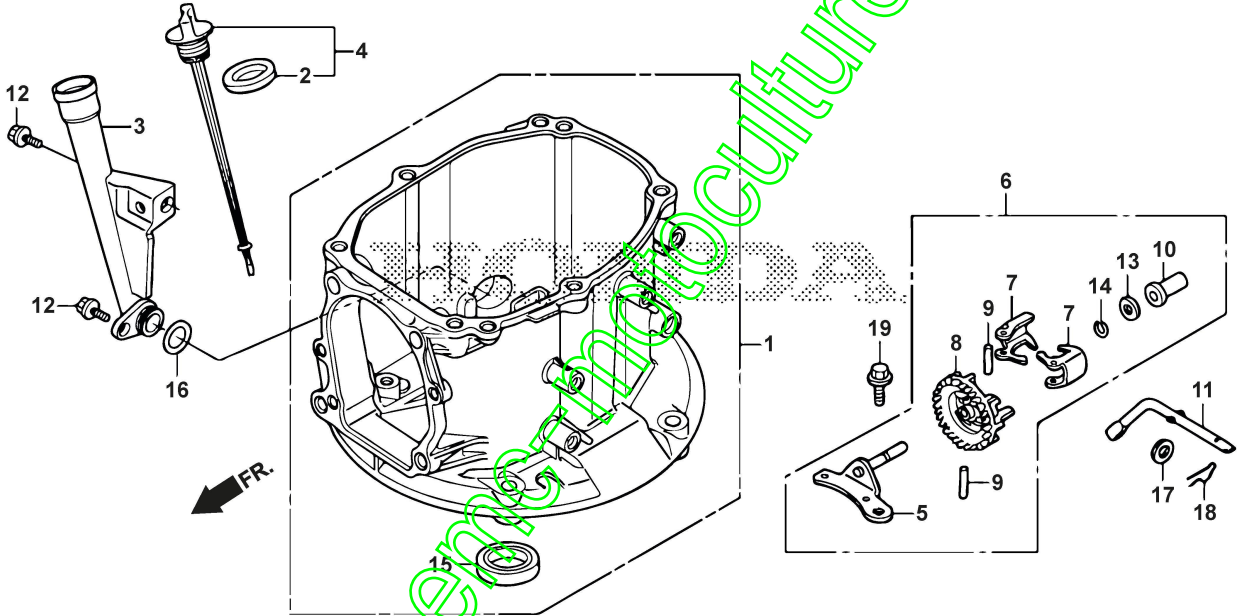
www.emiclubculture.com

Cylinder Head

| Réf. N° | Q.té : | Code article | Description | Articles | De | Jusqu'à |
|---------|--------|--------------|----------------------------|-------------------------------------------|----|---------|
| 1 | 1 | 118551725/0 | Cylinder Comp. | Honda: 12100-Z9L-405 | | |
| 2 | 1 | 118551642/0 | Cover, Head | Honda: 12311-Z9L-000 | | |
| 3 | 2 | 118552227/0 | Bolt, Stud, 6X82 (Ct200) | Honda: 90043-Z9L-000 | | |
| 4 | 2 | HONDA_SP | Honda Spare Parts | Honda: 94301-08140 - DOWEL PIN, 8X14 | | |
| 5 | 4 | HONDA_SP | Honda Spare Parts | Honda: 95701-0601408 - BOLT, FLANGE, 6X14 | | |
| 6 | 2 | HONDA_SP | Honda Spare Parts | Honda: 95701-0802508 - BOLT, FLANGE, 8X25 | | |
| 7 | 2 | HONDA_SP | Honda Spare Parts | Honda: 95701-0804008 - BOLT, FLANGE, 8X40 | | |
| 8 | 1 | 118552279/0 | Plug, Spark (Bpr5Es) (Ngk) | Honda: 98079-55846 | | |

www.emc-motoculture.com

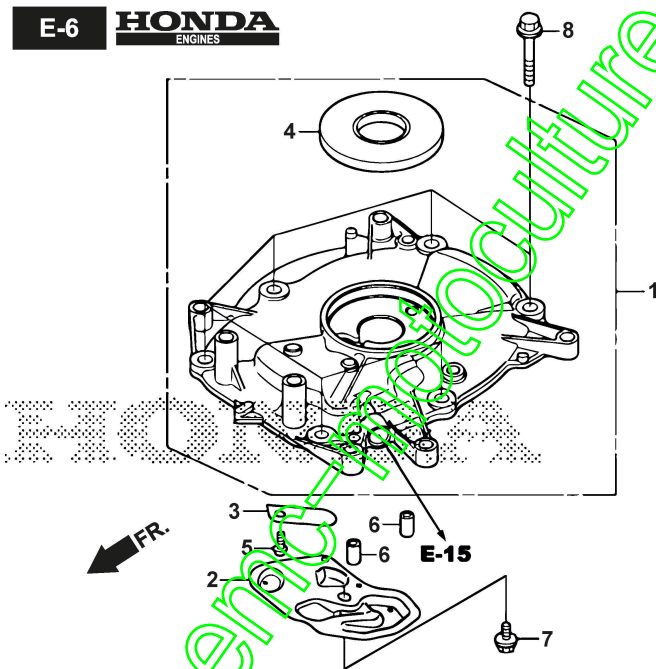
E-3 **HONDA**
ENGINES



Crankcase

| Réf. N° | Q.té : | Code article | Description | Articles | De | Jusqu'à |
|---------|--------|--------------|------------------------|-----------------------------------------------------|----|---------|
| 1 | 1 | 118551712/0 | Crankcase Assy. | Honda: 11100-Z9L-415 | | |
| 2 | 1 | HONDA_SP | Honda Spare Parts | Honda: 15625-ZE6-000 - PACKING, OIL FILLER CAP | | |
| 3 | 1 | 118551912/0 | Extension, Oil Filler | Honda: 15631-Z9L-000 | | |
| 4 | 1 | 118551917/0 | Gauge Assy., Oil Level | Honda: 15650-Z9L-000 | | |
| 5 | 1 | HONDA_SP | Honda Spare Parts | Honda: 16508-ZM0-010 - SHAFT COMP., GOVERNOR HOLDER | | |
| 6 | 1 | 118551971/0 | Governor Assy. | Honda: 16510-ZM0-010 | | |
| 7 | 2 | HONDA_SP | Honda Spare Parts | Honda: 16511-ZL8-000 - WEIGHT, GOVERNOR | | |
| 8 | 1 | HONDA_SP | Honda Spare Parts | Honda: 16512-ZM0-000 - HOLDER, GOVERNOR WEIGHT | | |
| 9 | 2 | HONDA_SP | Honda Spare Parts | Honda: 16513-ZE1-000 - PIN, GOVERNOR WEIGHT | | |
| 10 | 1 | 118551973/0 | Slider, Governor | Honda: 16531-Z1T-000 | | |
| 11 | 1 | 118551977/0 | Shaft, Governor Arm | Honda: 16541-Z9L-000 | | |
| 12 | 2 | HONDA_SP | Honda Spare Parts | Honda: 90013-ZL8-000 - BOLT, FLANGE, 6X14 (CT200) | | |
| 13 | 1 | HONDA_SP | Honda Spare Parts | Honda: 90451-Z1T-000 - WASHER, THRUST, 6MM | | |
| 14 | 1 | 118552244/0 | Clip, Governor Holder | Honda: 90602-ZE1-000 | | |
| 15 | 1 | 118552254/0 | Oil Seal, 28X41.25X6 | Honda: 91202-Z9L-003 | | |
| 16 | 1 | 118552262/0 | O-Ring, 19.1X2.2 | Honda: 91304-Z9L-000 | | |
| 17 | 1 | 118552273/0 | Washer, Plain, 6Mm | Honda: 94101-06800 | | |
| 18 | 1 | HONDA_SP | Honda Spare Parts | Honda: 94251-08000 - PIN, LOCK, 8MM | | |
| 19 | 1 | HONDA_SP | Honda Spare Parts | Honda: 95701-0601408 - BOLT, FLANGE, 6X14 | | |

www.emc-motoculture.com

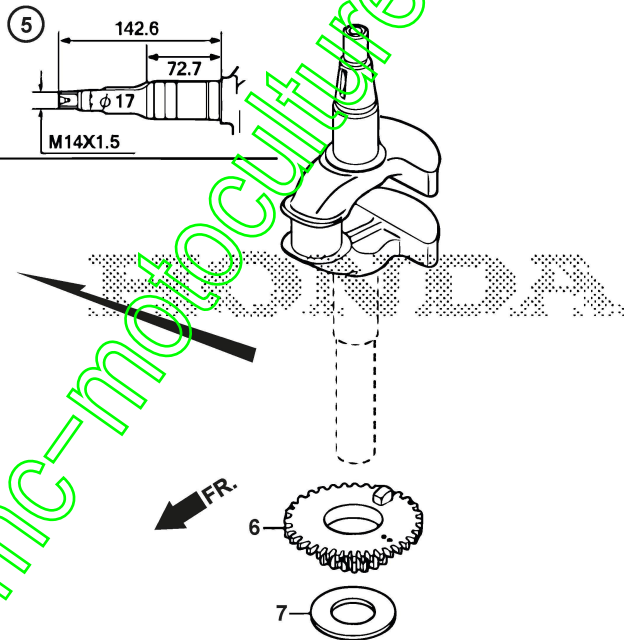
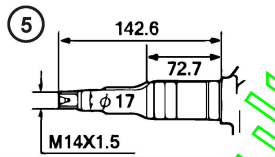
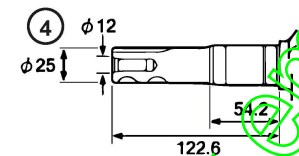
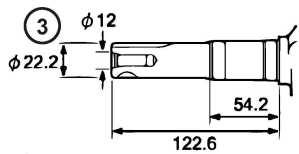
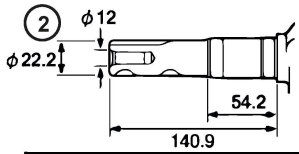
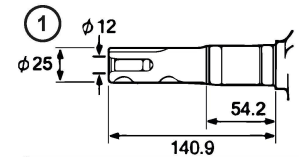


Crankcase Cover

| Réf. N° | Q.té : | Code article | Description | Articles | De | Jusqu'à |
|---------|--------|--------------|------------------------|-------------------------------------------|----|---------|
| 1 | 1 | 118551717/0 | Cover Assy., Crankcase | Honda: 11300-Z9L-405 | | |
| 2 | 1 | 118551750/0 | Cover, Breather | Honda: 12356-Z9L-000 | | |
| 3 | 1 | 118551757/0 | Plate, Valve | Honda: 12377-Z9L-000 | | |
| 4 | 1 | 118552249/0 | Oil Seal, 25.4X62X6 | Honda: 91201-Z0Y-003 | | |
| 5 | 1 | HONDA_SP | Honda Spare Parts | Honda: 93500-050080A - SCREW, PAN, 5X8 | | |
| 6 | 2 | HONDA_SP | Honda Spare Parts | Honda: 94301-08140 - DOWEL PIN, 8X14 | | |
| 7 | 1 | HONDA_SP | Honda Spare Parts | Honda: 95701-0601408 - BOLT, FLANGE, 6X14 | | |
| 8 | 6 | HONDA_SP | Honda Spare Parts | Honda: 95701-0802508 - BOLT, FLANGE, 8X25 | | |

www.emc-motoculture.com

E-7 **HONDA**
ENGINES



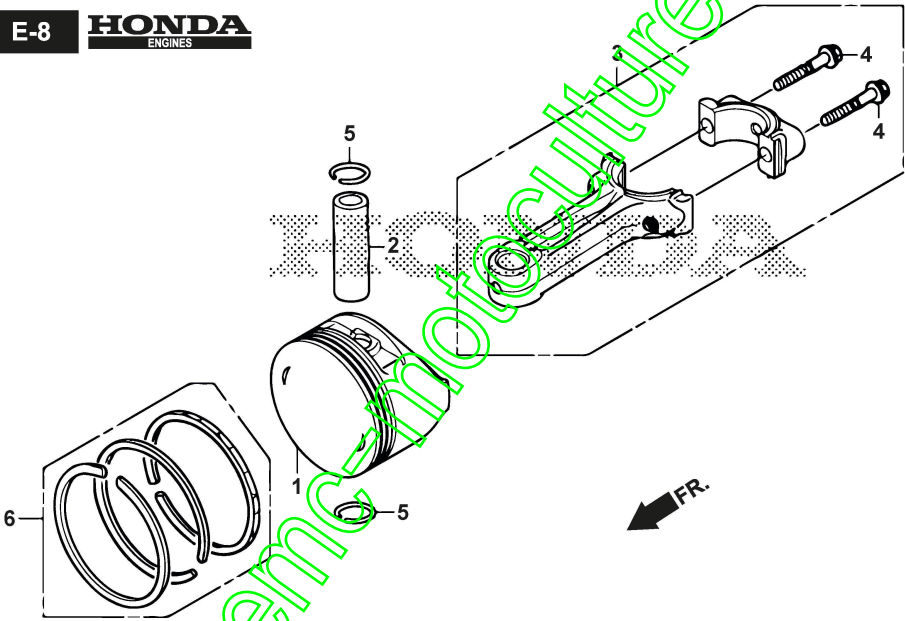
www.gmc-motoculture.com

Crankshaft

| Réf. N° | Q.té : | Code article | Description | Articles | De | Jusqu'à |
|---------|--------|--------------|----------------------|----------------------|----|---------|
| 4 | 1 | 118551806/0 | Crankshaft (N4-Type) | Honda: 13311-Z9L-840 | | |
| 6 | 1 | 118551817/0 | Gear, Timing | Honda: 14311-Z9L-000 | | |
| 7 | 1 | 118552239/0 | Washer, Thrust | Honda: 90402-Z9L-000 | | |

www.emc-motoculture.com

E-8 **HONDA**
ENGINES

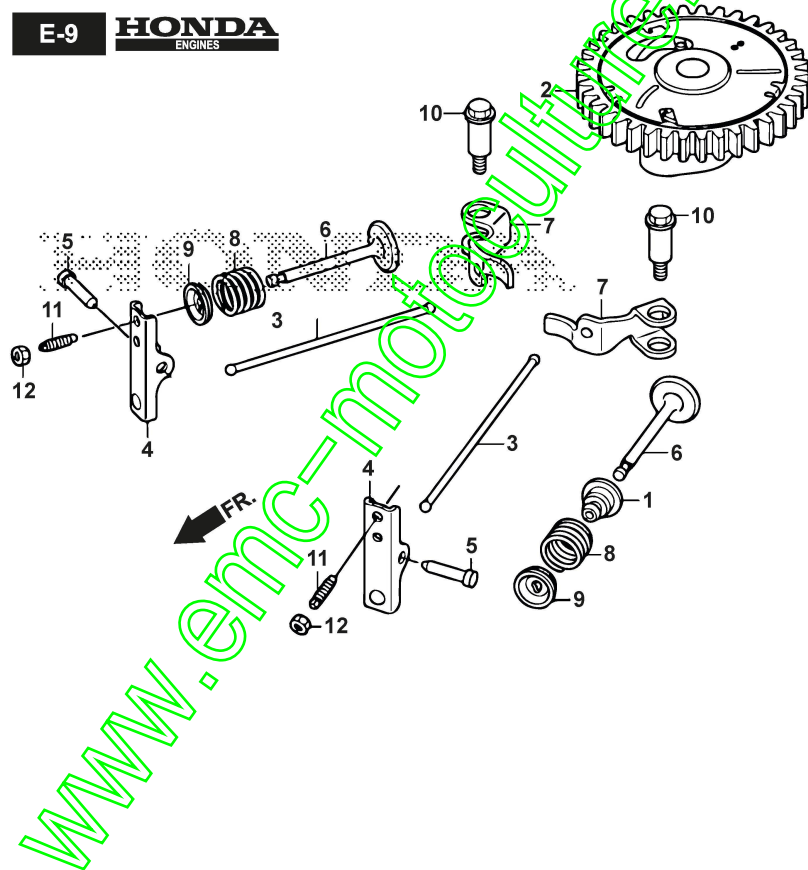


Piston/Connecting Rod

| Réf. N° | Q.té : | Code article | Description | Articles | De | Jusqu'à |
|---------|--------|--------------|------------------------|------------------------------------------------|----|---------|
| 1 | 1 | 118551776/0 | Piston | Honda: 13101-Z9L-000 | | |
| 2 | 1 | 118551785/0 | Pin, Piston | Honda: 13111-ZE0-000 | | |
| 3 | 1 | 118551794/0 | Rod Assy., Connecting | Honda: 13200-Z9L-000 | | |
| 4 | 2 | HONDA_SP | Honda Spare Parts | Honda: 90001-Z1L-000 - BOLT, CONNECTING ROD | | |
| 5 | 2 | 118552241/0 | Clip, Piston Pin, 13Mm | Honda: 90551-ZE0-000 | | |
| 6 | 1 | 118551766/0 | Ring Set, Piston | Honda: 13010-Z9L-003 | | |

www.emc-motoculture.com

E-9 **HONDA**
ENGINES

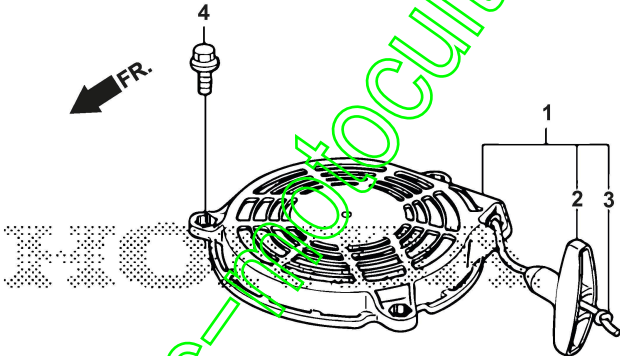


Camshaft

| Réf. N° | Q.té : | Code article | Description | Articles | De | Jusqu'à |
|---------|--------|--------------|-------------------------|----------------------|----|---------|
| 1 | 1 | 118551737/0 | Seal, Valve Stem | Honda: 12209-Z8B-003 | | |
| 2 | 1 | 118551812/0 | Camshaft Assy. | Honda: 14100-Z9L-000 | | |
| 3 | 2 | 118551829/0 | Rod, Push | Honda: 14410-Z9L-000 | | |
| 4 | 2 | 118551835/0 | Arm, Valve Rocker | Honda: 14431-Z9L-000 | | |
| 5 | 2 | 118551845/0 | Shaft, Rocker Arm | Honda: 14461-Z9L-000 | | |
| 6 | 2 | 118551852/0 | Valve, In. | Honda: 14711-Z9L-000 | | |
| 7 | 2 | 118551866/0 | Lifter, Valve | Honda: 14731-Z9L-000 | | |
| 8 | 2 | 118551874/0 | Spring, Valve | Honda: 14751-ZL8-000 | | |
| 9 | 2 | 118551875/0 | Retainer, Valve Spring | Honda: 14771-Z0J-000 | | |
| 10 | 2 | 118552217/0 | Bolt, Shoulder, 6Mm | Honda: 90001-Z9L-000 | | |
| 11 | 2 | 118552222/0 | Screw, Tappet Adjusting | Honda: 90012-ZCJ-000 | | |
| 12 | 2 | 118552231/0 | Nut, Tappet Adjusting | Honda: 90206-Z6L-000 | | |

www.emc-motoculture.com

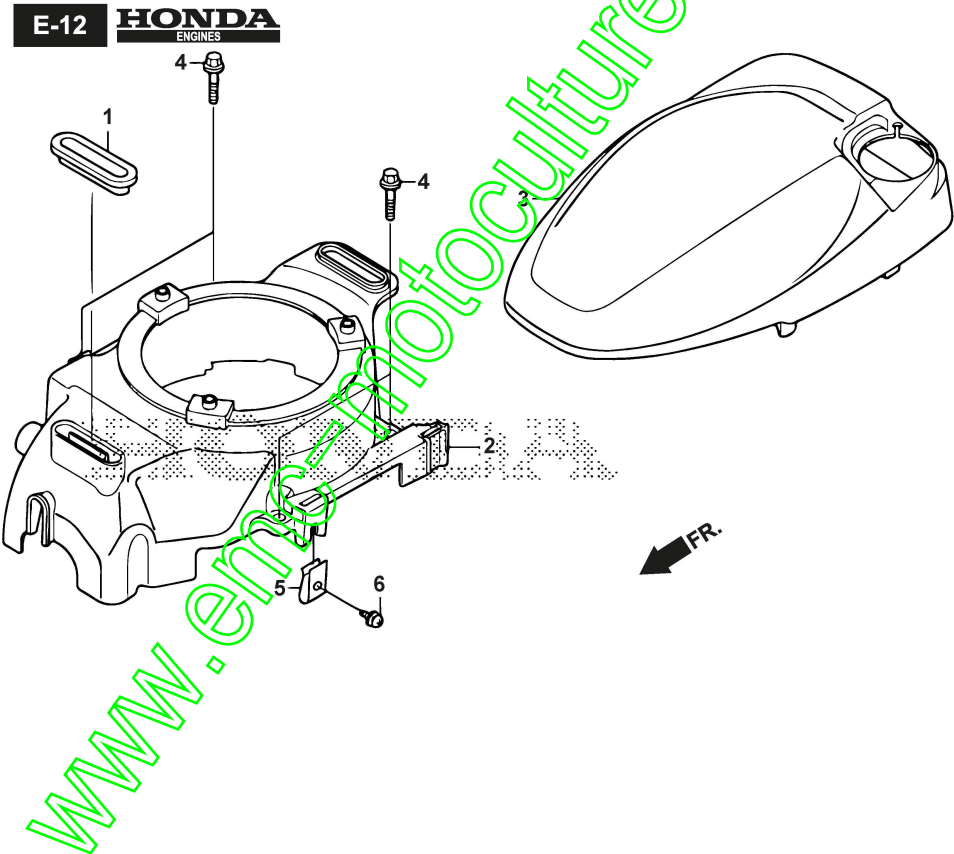
E-11 **HONDA**
ENGINES



Démarreur

| Réf. N° | Q.té : | Code article | Description | Articles | De | Jusqu'à |
|---------|--------|--------------|-----------------------------------|---------------------------------------------------------|----|---------|
| 1 | 1 | 118551689/0 | Starter Assy., Recoil (Long Rope) | Honda: 28400-Z9L-004 | | |
| 2 | 1 | 118552162/0 | Grip, Starter | Honda: 28461-ZL8-003 | | |
| 3 | 1 | HONDA_SP | Honda Spare Parts | Honda: 28462-Z0L-V71 - ROPE, RECOIL STARTER (LONG TYPE) | | |
| 4 | 3 | HONDA_SP | Honda Spare Parts | Honda: 95701-0601408 - BOLT, FLANGE, 6X14 | | |

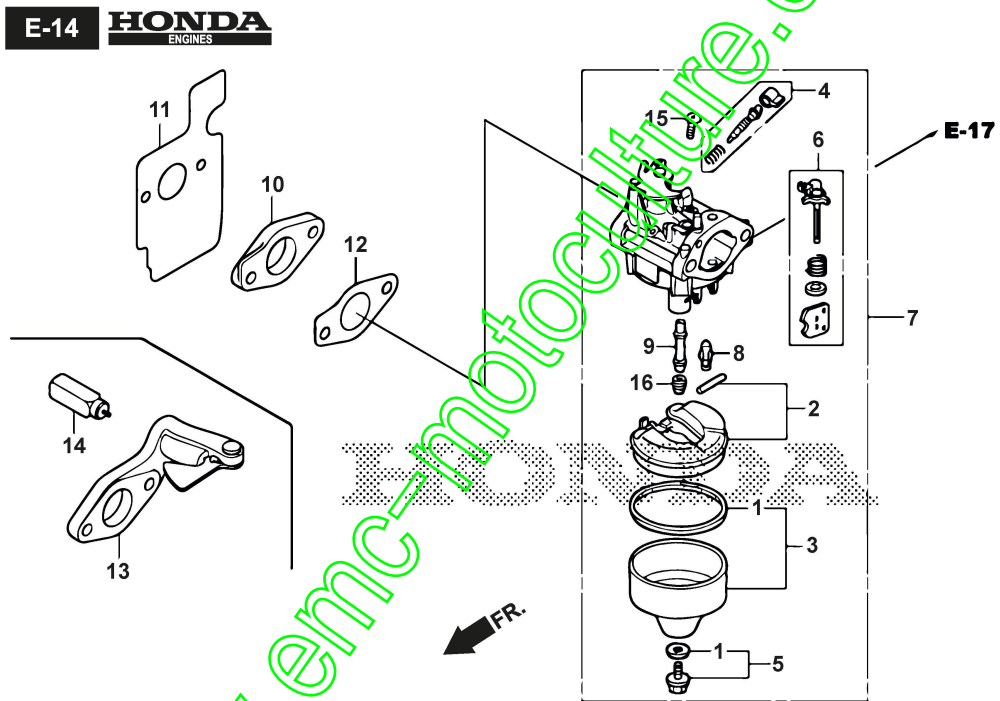
www.emc-motoculture.com



Fan Cover

| Réf. N° | Q.té : | Code article | Description | Articles | De | Jusqu'à |
|---------|--------|--------------|-------------------------|---------------------------------------------------|----|---------|
| 1 | 1 | 118552056/0 | Rubber A, Tank Mounting | Honda: 17532-Z9L-000 | | |
| 2 | 1 | 118552104/0 | Cover Comp., Fan | Honda: 19610-Z9L-000 | | |
| 4 | 4 | HONDA_SP | Honda Spare Parts | Honda: 90018-ZE1-000 - BOLT, FLANGE, 6X23 (CT200) | | |
| 5 | 1 | HONDA_SP | Honda Spare Parts | Honda: 90320-GC3-000 - NUT, SPRING, 5MM | | |
| 6 | 1 | HONDA_SP | Honda Spare Parts | Honda: 93891-0500807 - SCREW-WASHER, 5X8 | | |

www.emc-motoculture.com

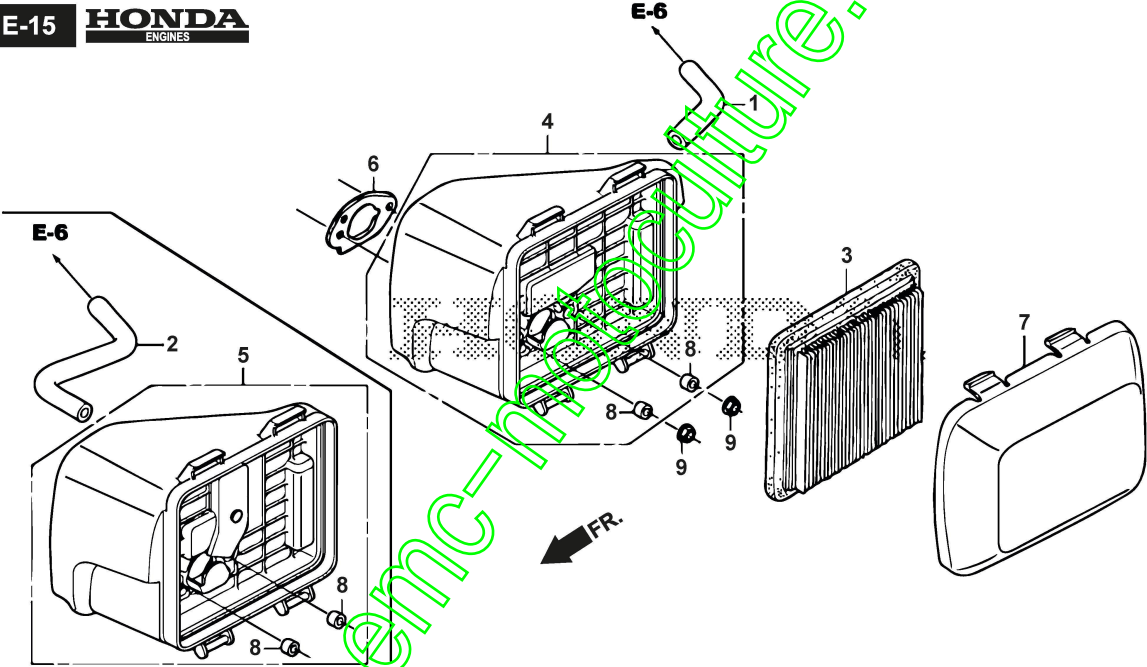


Carburetor

| Réf. N° | Q.té : | Code article | Description | Articles | De | Jusqu'à |
|---------|--------|--------------|----------------------------|----------------------------------------|----|---------|
| 1 | 1 | HONDA_SP | Honda Spare Parts | Honda: 16010-Z9L-811 - GASKET SET | | |
| 2 | 1 | 118551931/0 | Float Set | Honda: 16013-ZL1-003 | | |
| 3 | 1 | 118551934/0 | Chamber Set, Float | Honda: 16015-Z9L-811 | | |
| 4 | 1 | HONDA_SP | Honda Spare Parts | Honda: 16016-ZG0-W00 - SCREW SET | | |
| 5 | 1 | 118551937/0 | Screw Set | Honda: 16028-ZK7-S91 | | |
| 6 | 1 | HONDA_SP | Honda Spare Parts | Honda: 16044-Z9L-811 - CHOKE SET | | |
| 7 | 1 | 118551660/0 | Carburetor Assy. (Bb76J A) | Honda: 16100-Z9L-811 | | |
| 8 | 1 | HONDA_SP | Honda Spare Parts | Honda: 16155-ZM0-013 - VALVE, FLOAT | | |
| 9 | 1 | HONDA_SP | Honda Spare Parts | Honda: 16166-Z9L-811 - NOZZLE, MAIN | | |
| 11 | 1 | 118551948/0 | Packing, Insulator | Honda: 16212-Z9L-000 | | |
| 12 | 1 | 118551957/0 | Packing, Carburetor | Honda: 16221-Z9L-000 | | |
| 13 | 1 | 118552012/0 | Control Assy., Choke | Honda: 16600-Z9L-000 | | |
| 14 | 1 | 118552015/0 | Thermowax Assy. | Honda: 16620-Z9L-003 | | |
| 15 | 1 | HONDA_SP | Honda Spare Parts | Honda: 93500-050061H - SCREW, PAN, 5X6 | | |
| 16 | 1 | HONDA_SP | Honda Spare Parts | Honda: 99101-1240680 - JET, MAIN, #68 | | |

www.emc-motoculture.com

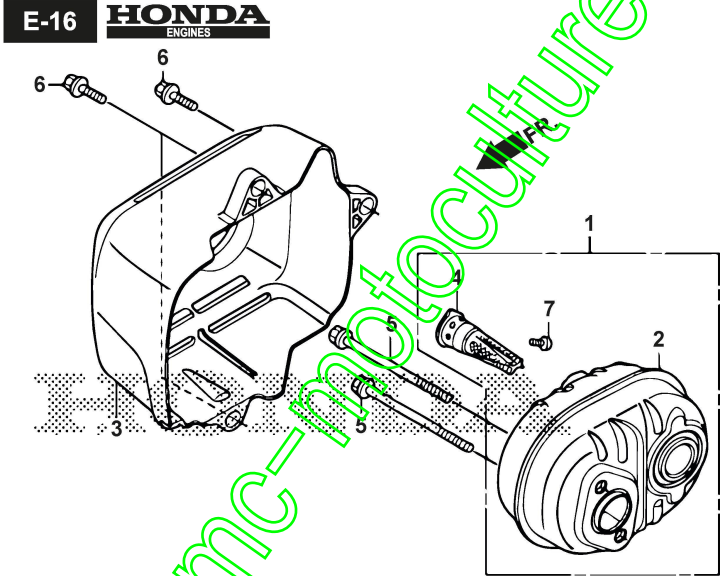
E-15 **HONDA**
ENGINES



Air Cleaner

| Réf. N° | Q.té : | Code article | Description | Articles | De | Jusqu'à |
|---------|--------|--------------|------------------------------------|--------------------------------------------|----|---------|
| 1 | 1 | 118551923/0 | Tube, Breather | Honda: 15721-Z9L-000 | | |
| 3 | 1 | 118551671/0 | Element, Air Cleaner (Wix Filters) | Honda: 17211-Z8B-901 | | |
| 4 | 1 | 118552035/0 | Case Comp., Air Cleaner | Honda: 17220-Z9L-000 | | |
| 6 | 1 | 118552039/0 | Packing, Air Cleaner | Honda: 17228-Z9L-000 | | |
| 7 | 1 | 118551680/0 | Cover, Air Cleaner | Honda: 17231-Z9L-000 | | |
| 8 | 2 | HONDA_SP | Honda Spare Parts | Honda: 17238-ZG9-M00 - COLLAR, AIR CLEANER | | |
| 8 | 2 | HONDA_SP | Honda Spare Parts | Honda: 17238-Z9L-300 - COLLAR, AIR CLEANER | | |
| 9 | 2 | HONDA_SP | Honda Spare Parts | Honda: 94050-06000 - NUT, FLANGE, 6MM | | |

www.emc-motoculture.com

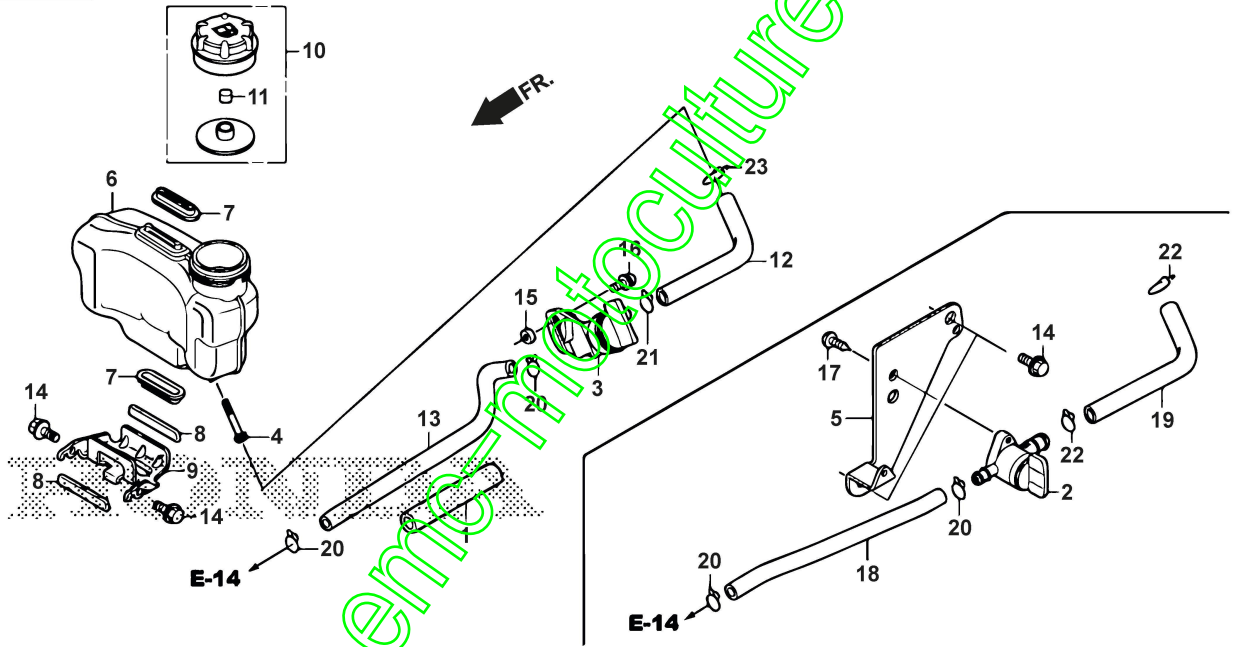


Muffler

| Réf. N° | Q.té : | Code article | Description | Articles | De | Jusqu'à |
|---------|--------|--------------|----------------------------|---------------------------------------------------|----|---------|
| 2 | 1 | 118552078/0 | Muffler Comp. | Honda: 18310-Z9L-000 | | |
| 3 | 1 | 118552081/0 | Protector Comp., Muffler | Honda: 18320-Z9L-000 | | |
| 5 | 2 | 118552219/0 | Bolt, Flange, 6X79 (Ct200) | Honda: 90004-ZL8-000 | | |
| 6 | 3 | HONDA_SP | Honda Spare Parts | Honda: 90018-ZE1-000 - BOLT, FLANGE, 6X23 (CT200) | | |
| 8 | -1 | 118552087/0 | Gasket, Muffler | Honda: 18381-ZL8-305 | | |

www.emc-motoculture.com

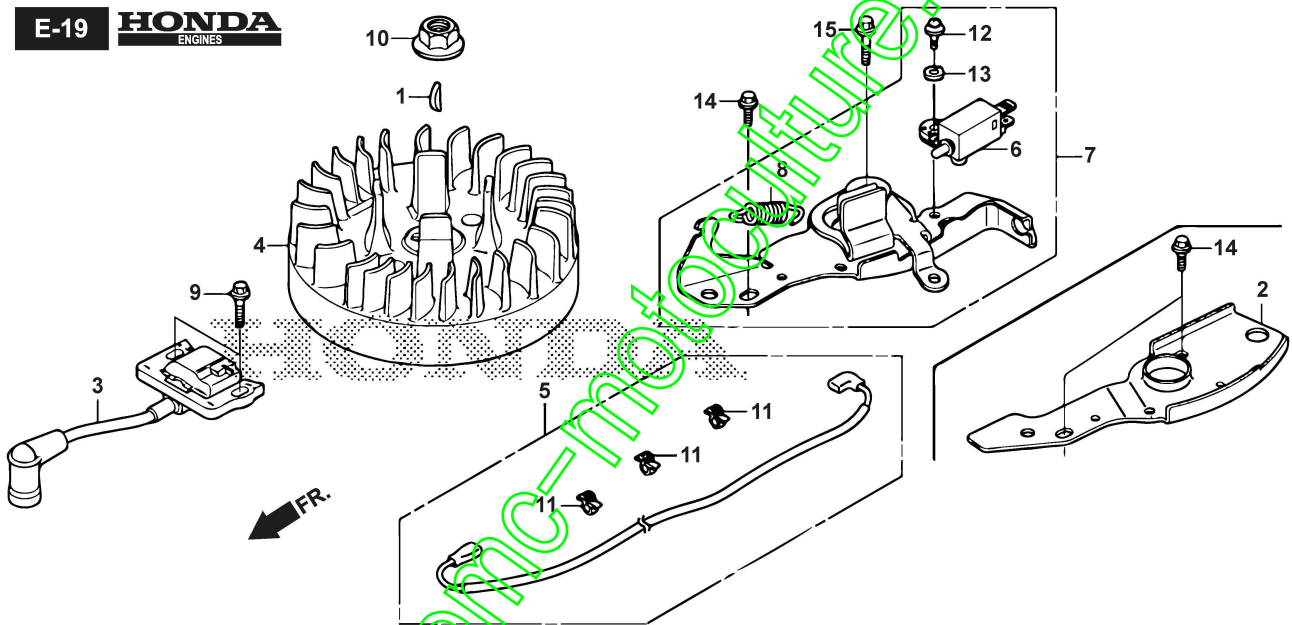
E-17 **HONDA**
ENGINES



Fuel Tank

| Réf. N° | Q.té : | Code article | Description | Articles | De | Jusqu'à |
|---------|--------|--------------|-------------------------|--------------------------------------------------------------|----|---------|
| 2 | 1 | 118552021/0 | Cock Assy., Fuel | Honda: 16950-Z0Y-003 | | |
| 4 | 1 | 118552023/0 | Strainer, Fuel | Honda: 16952-Z9R-000 | | |
| 5 | 1 | HONDA_SP | Honda Spare Parts | Honda: 16961-Z9L-000 - STAY, FUEL COCK | | |
| 6 | 1 | 118552050/0 | Tank, Fuel | Honda: 17511-Z9L-800 | | |
| 7 | 2 | 118552056/0 | Rubber A, Tank Mounting | Honda: 17532-Z9L-000 | | |
| 8 | 2 | 118552059/0 | Rubber B, Tank Mounting | Honda: 17533-Z9L-000 | | |
| 9 | 1 | 118552063/0 | Stay, Fuel Tank | Honda: 17561-Z9L-000 | | |
| 10 | 1 | 118551682/0 | Cap Assy., Fuel Tank | Honda: 17620-Z9L-800 | | |
| 11 | 1 | HONDA_SP | Honda Spare Parts | Honda: 17622-888-010 - SPONGE, FUEL CAP BREATHER | | |
| 14 | 4 | HONDA_SP | Honda Spare Parts | Honda: 90014-952-000 - BOLT, FLANGE, 6X14 (CT200) | | |
| 17 | 1 | HONDA_SP | Honda Spare Parts | Honda: 93913-25220 - SCREW, TAPPING, 5X12 (PO) | | |
| 18 | 1 | HONDA_SP | Honda Spare Parts | Honda: 95001-4511040 - TUBE, FUEL, 4.5X110 (95001-45001-60M) | | |
| 19 | 1 | HONDA_SP | Honda Spare Parts | Honda: 95001-7516040 - TUBE, FUEL, 7.3X160 (95001-75001-60M) | | |
| 20 | 2 | HONDA_SP | Honda Spare Parts | Honda: 95002-02080 - CLIP, TUBE (B8) | | |
| 22 | 2 | HONDA_SP | Honda Spare Parts | Honda: 95002-02120 - CLIP, TUBE (B12) | | |

www.emc-motoculture.com



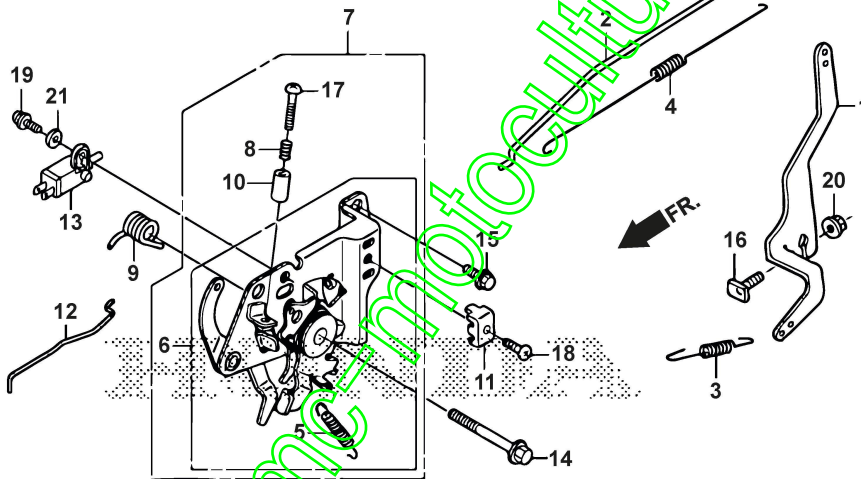
www.enj-motors.com

Flywheel

| Réf. N° | Q.té : | Code article | Description | Articles | De | Jusqu'à |
|---------|--------|--------------|------------------------------|-----------------------------------------------------------|----|---------|
| 1 | 1 | 118551807/0 | Key, Special Woodruff, 25X18 | Honda: 13331-Z8B-900 | | |
| 3 | 1 | 118551697/0 | Coil Assy., Ignition | Honda: 30500-Z9L-004 | | |
| 4 | 1 | 118552176/0 | Flywheel Comp. | Honda: 31110-Z9L-003 | | |
| 5 | 1 | 118552197/0 | Cord, Stop Switch | Honda: 32195-Z9L-000 | | |
| 6 | 1 | 118552201/0 | Switch Assy., Engine Stop | Honda: 35120-Z9L-003 | | |
| 7 | 1 | 118552210/0 | Brake Assy. | Honda: 75100-Z9L-010 | | |
| 8 | 1 | 118552213/0 | Spring, Brake Lever | Honda: 75113-Z9L-020 | | |
| 9 | 2 | HONDA_SP | Honda Spare Parts | Honda: 90018-ZE1-000 - BOLT, FLANGE, 6X23 (CT200) | | |
| 10 | 1 | HONDA_SP | Honda Spare Parts | Honda: 90213-Z9L-000 - NUT, FLANGE, 14MM | | |
| 11 | 3 | HONDA_SP | Honda Spare Parts | Honda: 91541-S0A-003 - CLIP, HARNESS BAND (BLACK) (145MM) | | |
| 12 | 1 | HONDA_SP | Honda Spare Parts | Honda: 93892-0401200 - SCREW-WASHER, 4X12 | | |
| 13 | 1 | HONDA_SP | Honda Spare Parts | Honda: 94103-04000 - WASHER, PLAIN, 4MM | | |
| 14 | 1 | HONDA_SP | Honda Spare Parts | Honda: 95701-0601408 - BOLT, FLANGE, 6X14 | | |
| 15 | 1 | HONDA_SP | Honda Spare Parts | Honda: 95701-0602208 - BOLT, FLANGE, 6X22 | | |

www.emc-motoculture.com

E-22 **HONDA**
ENGINES



Control

| Réf. N° | Q.té : | Code article | Description | Articles | De | Jusqu'à |
|---------|--------|--------------|-------------------------|----------------------------------------------|----|---------|
| 1 | 1 | 118551981/0 | Arm, Governor | Honda: 16551-Z9L-000 | | |
| 2 | 1 | 118551987/0 | Rod, Governor | Honda: 16555-Z9L-000 | | |
| 3 | 1 | 118551996/0 | Spring, Governor | Honda: 16561-Z9P-000 | | |
| 4 | 1 | 118552001/0 | Spring, Throttle Return | Honda: 16562-Z9L-000 | | |
| 16 | 1 | HONDA_SP | Honda Spare Parts | Honda: 90015-ZE5-010 - BOLT, GOVERNOR ARM | | |
| 20 | 1 | HONDA_SP | Honda Spare Parts | Honda: 94050-06000 - NUT, FLANGE, 6MM | | |

www.emc-motoculture.com

www.emc-motoculture.com