

# STIGA

**SC8414B (2012)**

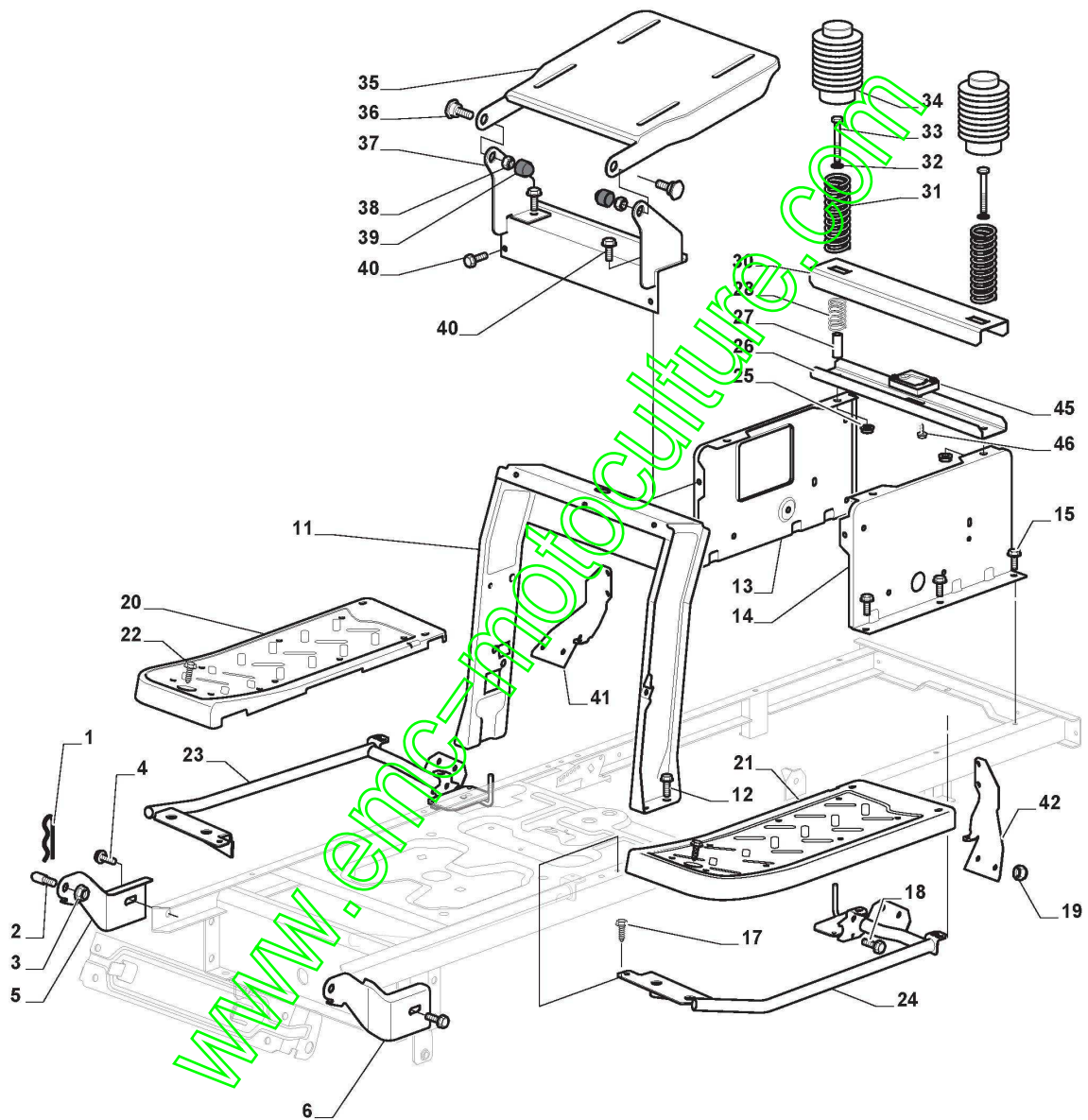
2T2010224/CAS

**Spare parts list**  
**Reservdelar**  
**Repuestos**  
**Ersatzteile**  
**Pièces détachées**  
**Reserve onderdelen**  
**Catalogo ricambi**

[www.emc-motoculture.com](http://www.emc-motoculture.com)

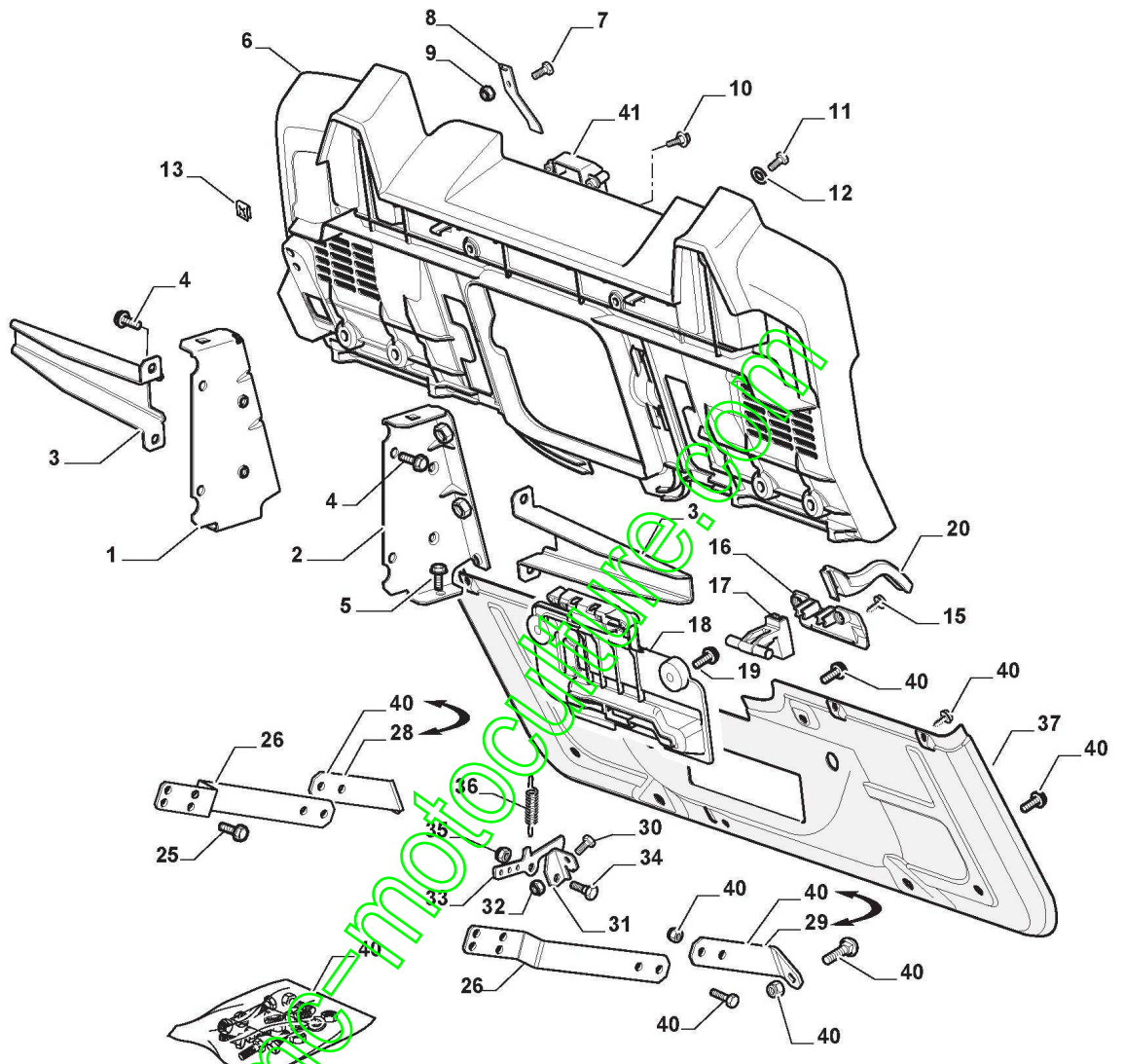
- Use ST. S.p.A. Genuine Spare Parts specified in the parts list for repair and/or replacement.
- The contents described in the parts list may change due to improvement.
- The drawings of the spare parts are only indicative And might Not represent the part in question exactly.
- The indications "right" - "left" - "front" - "rear" refer to the position of the operator when using the machine.
- When placing orders of parts for repair And/Or replacement, make sure that the illustrated parts list is the one applying to the machine's year of manufacture, as shown on the identification plate attached to the machine.

All rights reserved. No part Of this material may be reproduced Or transmitted, in any form Or by any means, electronic Or mechanical, including photocopying, recording Or by any information storage And retrieval system, without permission in writing from ST. S.p.A.



# Chassis

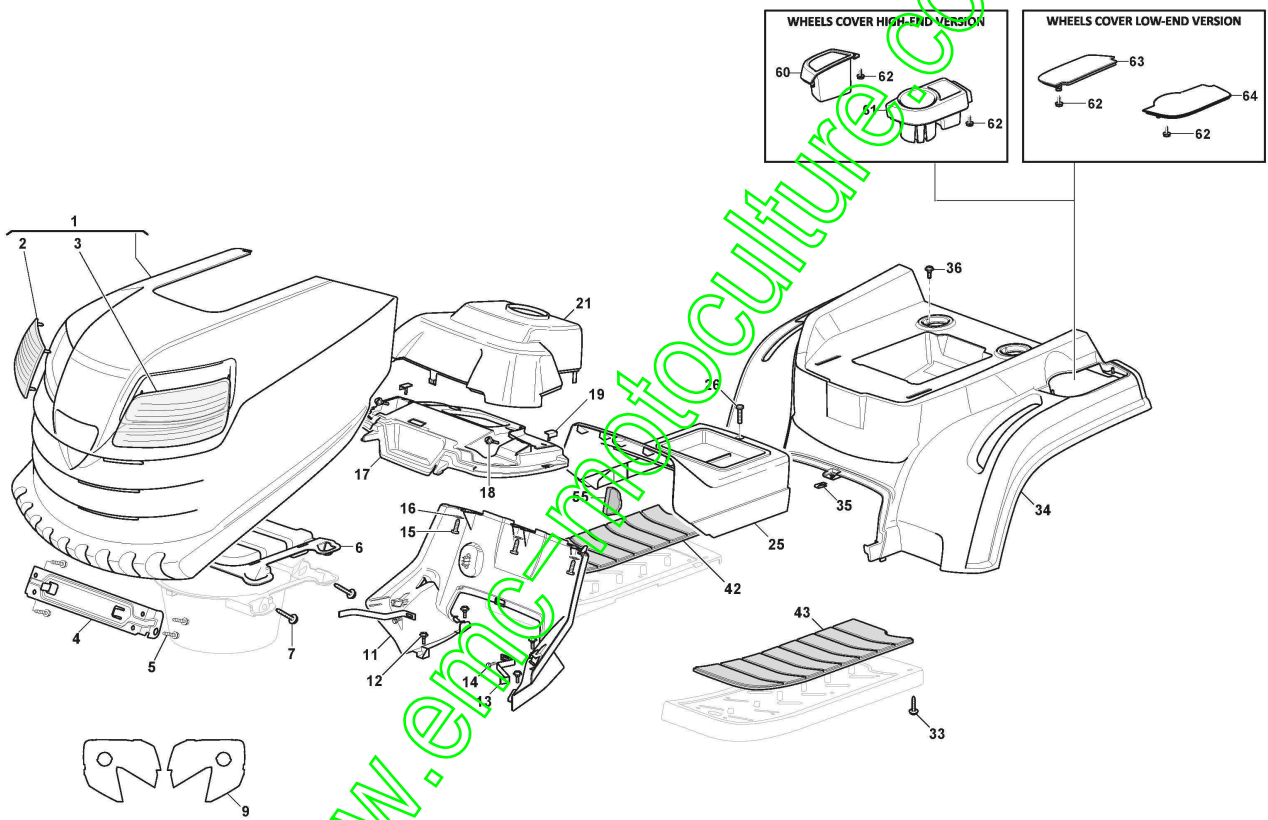
| Réf. N° | Q.té : | Code article | Description               | Articles | De                             | Jusqu'à            |
|---------|--------|--------------|---------------------------|----------|--------------------------------|--------------------|
| 1       | 1      | 124487998/0  | Goupille                  |          |                                |                    |
| 2       | 2      | 125510079/0  | Pivot                     |          |                                | To S/N             |
| 2       | 2      | 125510169/0  | Pivot                     |          | From S/N<br>19DA3RON<br>003315 |                    |
| 3       | 2      | 112155000/0  | Ecrou                     |          |                                |                    |
| 4       | 2      | 112735599/0  | Vis                       |          |                                |                    |
| 5       | 1      | 325547225/0  | Plaquette Droit           |          |                                |                    |
| 6       | 1      | 325547227/0  | Plaquette Gauche          |          |                                |                    |
| 11      | 1      | 382785169/1  | Support Tube De Direction |          |                                |                    |
| 12      | 4      | 125943009/0  | Vis                       |          |                                |                    |
| 13      | 1      | 325785331/1  | Support Siege Droit       |          |                                |                    |
| 14      | 1      | 325785333/1  | Support Siege Gauche      |          |                                |                    |
| 15      | 6      | 125943009/0  | Vis                       |          |                                |                    |
| 17      | 2      | 125943009/0  | Vis                       |          |                                |                    |
| 18      | 2      | 125943009/0  | Vis                       |          |                                |                    |
| 19      | 10     | 112155000/0  | Ecrou                     |          |                                |                    |
| 20      | 1      | 325500041/1  | Marchepied Droit          |          |                                |                    |
| 21      | 1      | 325500043/1  | Marchepied Gauche         |          |                                |                    |
| 22      | 2      | 112735599/0  | Vis                       |          |                                |                    |
| 23      | 1      | 382785223/0  | Support Marchepied        |          |                                |                    |
| 24      | 1      | 382785221/0  | Support Marchepied        |          |                                |                    |
| 25      | 2      | 112293201/0  | Ecrou                     |          |                                |                    |
| 26      | 1      | 325820109/1  | Support Siege             |          |                                |                    |
| 27      | 2      | 125160048/0  | Entretoise                |          | From<br>01-Septem<br>ber-2014  | To                 |
| 27      | 2      | 125160077/0  | Entretoise                |          |                                |                    |
| 28      | 2      | 125430263/0  | Ressort                   |          |                                |                    |
| 30      | 1      | 325820111/0  | Support                   |          |                                |                    |
| 31      | 2      | 125430264/0  | Ressort                   |          |                                |                    |
| 32      | 2      | 112521350/0  | Rondelle                  |          |                                |                    |
| 33      | 2      | 112691400/0  | Vis                       |          |                                |                    |
| 34      | 2      | 325122002/0  | Protecteur                |          |                                |                    |
| 35      | 1      | 382547061/0  | Plaquette                 |          |                                |                    |
| 36      | 2      | 122524970/2  | Pivot                     |          |                                | To                 |
| 36      | 2      | 122524970/3  | Goupille                  |          | From<br>01-Septem<br>ber-2014  | To S/N             |
| 37      | 1      | 382820151/0  | Support Siege             |          |                                |                    |
| 37      | 1      | 382820151/1  | Support Siege             |          | From S/N<br>20EA3RON<br>000612 |                    |
| 38      | 2      | 112155010/0  | Ecrou                     |          |                                |                    |
| 39      | 2      | 118203854/0  | Capot                     |          |                                |                    |
| 40      | 12     | 125943009/0  | Vis                       |          |                                |                    |
| 41      | 1      | 325650155/0  | Support                   |          |                                | To S/N             |
| 41      | 1      | 325650155/1  | Support                   |          | S/N 269797                     | 00271854<br>To S/N |
| 41      | 1      | 325650155/2  | Support                   |          | From S/N<br>20BA3RON<br>006585 |                    |
| 42      | 1      | 325650157/0  | Support                   |          |                                | To S/N             |
| 42      | 1      | 325650157/1  | Support                   |          | From S/N<br>DD325495           | To S/N             |
| 42      | 1      | 325650157/2  | Support                   |          | From S/N                       | 20AA3RON<br>007470 |
| 45      | 1      | 325785379/0  | Support                   |          |                                |                    |
| 46      | 2      | 112728686/0  | Vis                       |          |                                |                    |



# Frame - Rear Plate

| Réf. N° | Q.té : | Code article | Description                      | Articles | De                            | Jusqu'à |
|---------|--------|--------------|----------------------------------|----------|-------------------------------|---------|
| 1       | 1      | 325774501/0  | Etrier                           |          |                               |         |
| 2       | 1      | 325774507/0  | Etrier                           |          |                               |         |
| 3       | 2      | 325650163/0  | Renforcement                     |          |                               |         |
| 4       | 8      | 125943009/0  | Vis                              |          |                               |         |
| 5       | 2      | 125943009/0  | Vis                              |          |                               |         |
| 6       | 1      | 325547299/0  | Plaque Arriere, Partie Superieur |          |                               |         |
| 7       | 1      | 112789008/0  | Vis                              |          |                               |         |
| 8       | 1      | 127430554/0  | Ressort                          |          |                               | To      |
| 8       | 1      | 127430600/0  | Ressort                          |          | From<br>01-Septem<br>ber-2013 |         |
| 9       | 1      | 112154330/0  | Ecrou                            |          |                               |         |
| 10      | 4      | 125943010/0  | Vis                              |          |                               |         |
| 11      | 6      | 112789008/0  | Vis                              |          |                               |         |
| 12      | 6      | 112521320/0  | Rondelle                         |          |                               |         |
| 13      | 6      | 112437503/0  | Plaquette                        |          |                               |         |
| 15      | 2      | 112728686/0  | Vis                              |          |                               |         |
| 16      | 1      | 325109522/0  | Couvercle Protection             |          |                               |         |
| 17      | 1      | 325318276/0  | Levier                           |          |                               |         |
| 18      | 1      | 325785400/0  | Support                          |          |                               | To      |
| 18      | 1      | 325785428/0  | Support                          |          | From<br>01-Septem<br>ber-2012 |         |
| 19      | 2      | 125943010/0  | Vis                              |          |                               |         |
| 20      | 1      | 325318277/0  | Levier                           |          |                               |         |
| 25      | 4      | 125943009/0  | Vis                              |          |                               |         |
| 26      | 2      | 325774521/0  | Etrier                           |          |                               |         |
| 28      | 1      | 325650151/0  | Renforcement                     |          |                               |         |
| 29      | 1      | 325650153/0  | Renforcement                     |          |                               |         |
| 30      | 1      | 112789008/0  | Vis                              |          |                               |         |
| 31      | 1      | 325755061/0  | Etrier                           |          |                               |         |
| 32      | 1      | 112154330/0  | Ecrou                            |          |                               |         |
| 33      | 1      | 325774533/0  | Etrier                           |          |                               |         |
| 34      | 1      | 125510080/1  | Pivot                            |          |                               | To      |
| 34      | 1      | 125510080/2  | Pivot                            |          | From<br>01-Septem<br>ber-2015 |         |
| 35      | 1      | 112154510/0  | Ecrou                            |          |                               |         |
| 36      | 1      | 125430282/0  | Ressort                          |          |                               |         |
| 37      | 1      | 382547071/0  | Plaque Arriere, Partie Inferieur |          |                               |         |
| 40      | 1      | 382180121/0  | Dotation Visserie                |          |                               |         |
| 41      | 1      | 325600107/0  | Protection Micro                 |          |                               |         |

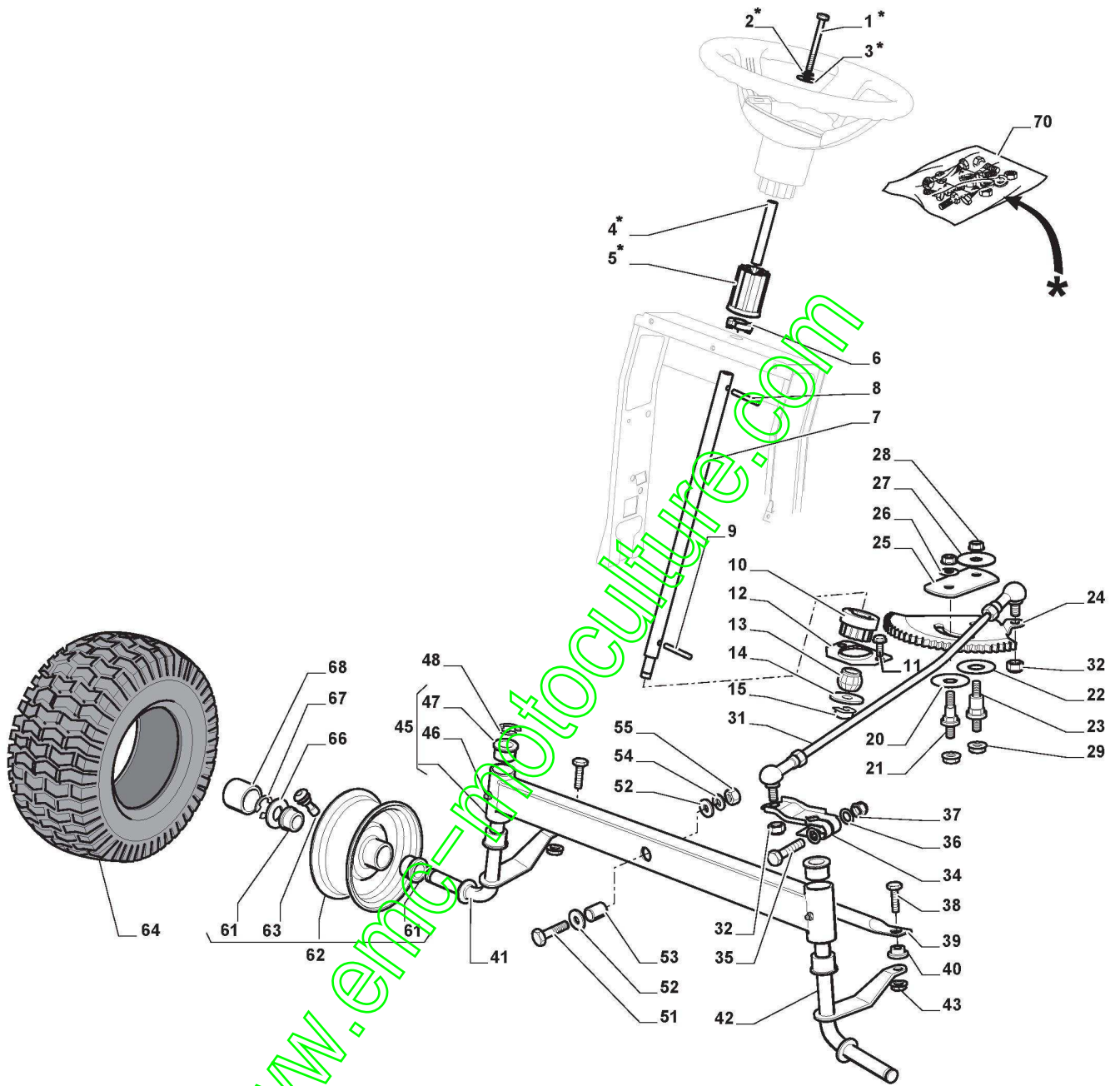
www.emc-motoculture.com



www.encyclopedia.com

# Carrosserie

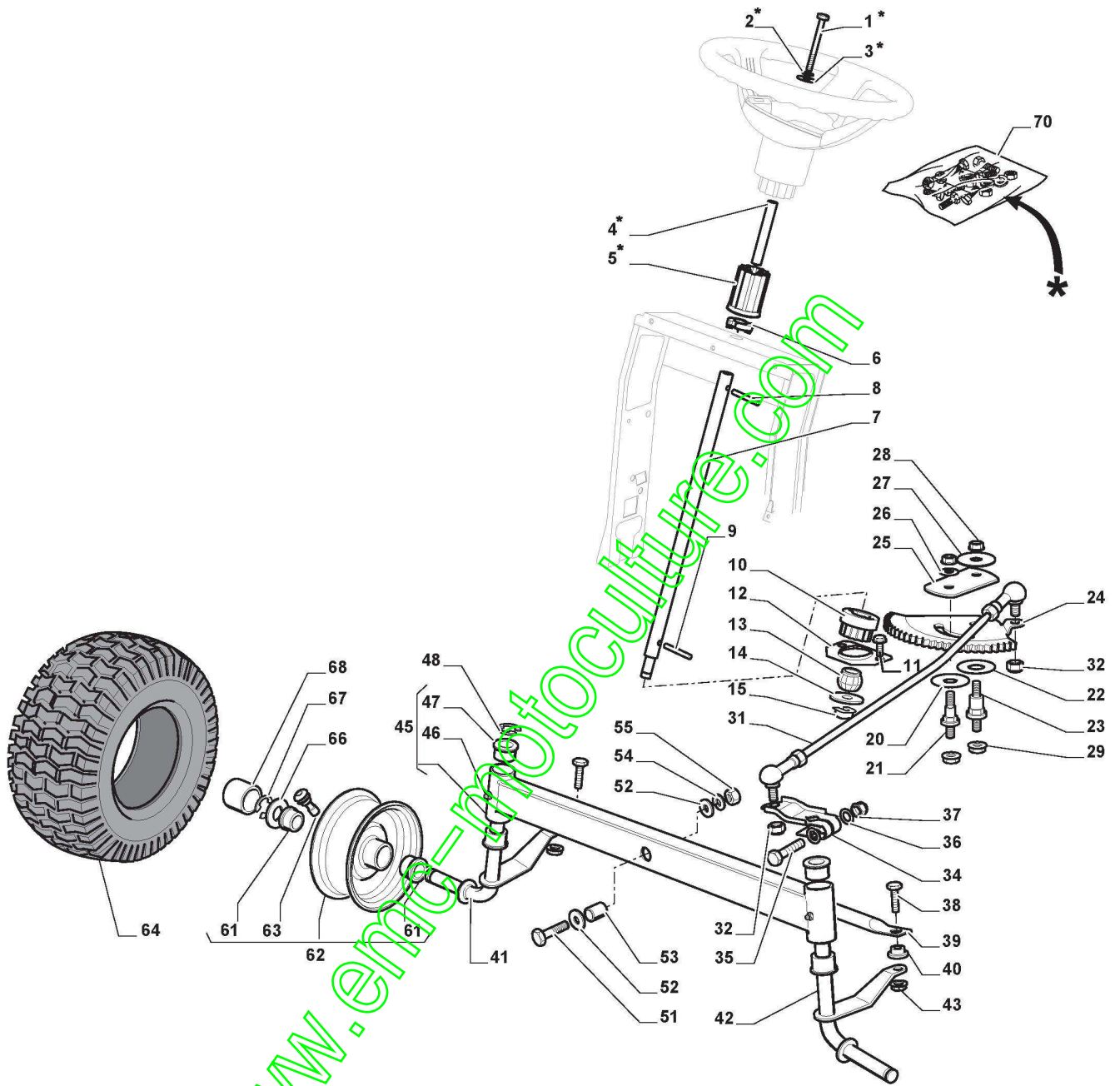
| Réf. N° | Q.té : | Code article | Description                | Articles                                       | De             | Jusqu'à           |
|---------|--------|--------------|----------------------------|--|----------------|-------------------|
| 1       | 1      | 325076899/0  | Capot Noir                 | Only Bonnet - Grill must be ordered separately |                | To 31-August-2015 |
| 1       | 1      | 325076899/1  | Capot Noir                 | Only Bonnet - Grill must be ordered separately | From 01-Septem |                   |
| 2       | 1      | 325410887/0  | Panneau Droit              |  |                |                   |
| 3       | 1      | 325410888/0  | Panneau Gauche             |  |                |                   |
| 4       | 1      | 325785317/0  | Support Capot              |  |                |                   |
| 5       | 4      | 112735403/0  | Vis                        |  |                |                   |
| 6       | 1      | 325263302/1  | Capot avant noir           |  |                |                   |
| 7       | 4      | 112728692/0  | Vis                        |  |                |                   |
| 9       | 1      | 114363452/0  | Autocollant Parabole Phare |  |                |                   |
| 11      | 1      | 325785298/0  | Support Tableau Comm.      |  |                |                   |
| 12      | 4      | 125943010/0  | Vis                        |  |                |                   |
| 13      | 2      | 325270325/0  | Guide                      |  |                |                   |
| 14      | 2      | 112735599/0  | Vis                        |  |                |                   |
| 15      | 3      | 112735406/0  | Vis                        |  |                |                   |
| 16      | 3      | 112523040/0  | Rondelle                   |  |                |                   |
| 17      | 1      | 325120209/0  | Console                    |  |                | To                |
| 17      | 1      | 325120259/0  | Console                    |  | From 01-Septem | To                |
| 17      | 1      | 325120259/1  | Console                    |  | ber-2014       | 31-August-2015    |
| 17      | 1      | 325120259/2  | Console                    |  | From 01-Septem |                   |
| 18      | 2      | 125943010/0  | Vis                        |  | ber-2017       |                   |
| 19      | 2      | 325260003/0  | Caoutchouc                 |  |                |                   |
| 21      | 1      | 325120203/0  | Couvercle                  |  |                |                   |
| 25      | 1      | 325110397/1  | Couvre Central Noir        |  |                |                   |
| 26      | 1      | 125943010/0  | Vis                        |  |                |                   |
| 33      | 4      | 112735406/0  | Vis                        |  |                |                   |
| 34      | 1      | 325110435/0  | Couvre-Roues Noir          |  |                |                   |
| 35      | 1      | 112437506/0  | Plaquette                  |  |                |                   |
| 36      | 2      | 125943010/0  | Vis                        |  |                |                   |
| 42      | 1      | 325110384/0  | Couvre Marchepied Droit    | As Optional - Not present on all assortment    |                |                   |
| 43      | 1      | 325110385/0  | Couvre Marchepied Gauche   | As Optional - Not present on all assortment    |                |                   |
| 55      | 1      | 325207191/0  | Plaquette                  | Not needed for Hydro Model                     |                |                   |
| 60      | 1      | 325207198/0  | Couvercle                  |  |                |                   |
| 61      | 1      | 325207199/0  | Couvercle                  |  |                |                   |
| 62      | 4      | 112735403/0  | Vis                        |  |                |                   |
| 63      | 1      | 325207196/0  | Couvercle                  |  |                |                   |
| 64      | 1      | 325207197/0  | Couvercle                  |  |                |                   |





## Barre De Direction

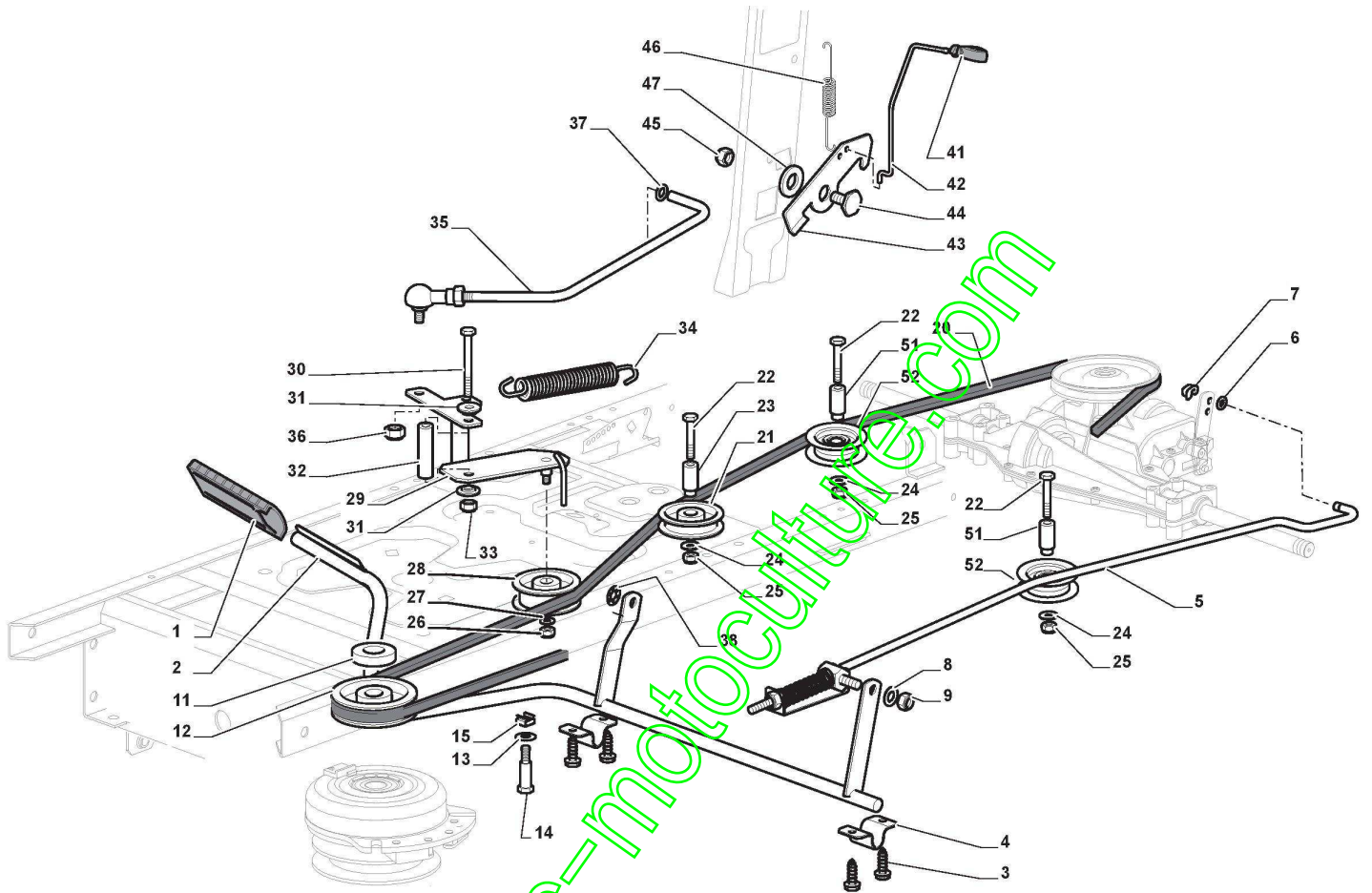
| Réf. N° | Q.té : | Code article | Description                         | Articles | De                            | Jusqu'à |
|---------|--------|--------------|-------------------------------------|----------|-------------------------------|---------|
| 1       | 1      | 112692050/0  | Vis                                 |          |                               |         |
| 2       | 1      | 112540260/0  | Rondelle                            |          |                               |         |
| 3       | 1      | 112523070/0  | Rondelle                            |          |                               |         |
| 4       | 1      | 125160047/0  | Entretoise                          |          |                               |         |
| 5       | 1      | 325785318/0  | Support                             |          |                               |         |
| 6       | 1      | 325038008/0  | Douille                             |          |                               |         |
| 7       | 1      | 125520007/0  | Tube De Direction                   |          |                               |         |
| 8       | 1      | 112620300/0  | Ressort                             |          |                               |         |
| 9       | 1      | 112622650/0  | Goupille                            |          |                               |         |
| 10      | 1      | 125570003/0  | Pignon                              |          |                               |         |
| 11      | 2      | 127943051/0  | Vis                                 |          |                               |         |
| 12      | 1      | 325785213/1  | Support                             |          |                               |         |
| 13      | 1      | 325743000/0  | Joint                               |          |                               |         |
| 14      | 1      | 112521370/0  | Rondelle                            |          |                               |         |
| 15      | 1      | 112436030/0  | Plaquette                           |          |                               |         |
| 20      | 1      | 322672151/0  | Rondelle Antifriction               |          |                               |         |
| 21      | 1      | 125510104/0  | Pivot                               |          |                               |         |
| 22      | 1      | 125670023/0  | Rondelle                            |          |                               |         |
| 23      | 1      | 125510109/0  | Pivot                               |          |                               |         |
| 24      | 1      | 325735519/0  | Secteur Direction                   |          |                               |         |
| 25      | 1      | 325547233/0  | Plaquette                           |          |                               |         |
| 26      | 1      | 112369500/0  | Disque Elastique                    |          |                               |         |
| 27      | 1      | 122160400/0  | Disque Elastique                    |          |                               |         |
| 28      | 2      | 112155010/0  | Ecrou                               |          |                               |         |
| 29      | 2      | 112154210/0  | Ecrou                               |          |                               |         |
| 31      | 1      | 382000566/1  | Barre De Direction                  |          |                               |         |
| 32      | 2      | 112156602/0  | Ecrou                               |          |                               |         |
| 34      | 1      | 325318243/0  | Levier                              |          |                               |         |
| 35      | 1      | 112692390/0  | Vis                                 |          |                               |         |
| 36      | 2      | 112521360/0  | Rondelle                            |          |                               |         |
| 37      | 1      | 112156602/0  | Ecrou                               |          |                               |         |
| 38      | 2      | 125510103/0  | Pivot                               |          |                               |         |
| 39      | 1      | 325840029/0  | Tirant                              |          |                               |         |
| 40      | 2      | 325038007/0  | Douille                             |          |                               |         |
| 41      | 1      | 382230369/0  | Fuseau Droit                        |          |                               |         |
| 42      | 1      | 382230371/0  | Fuseau Gauche                       |          |                               |         |
| 43      | 2      | 112155000/0  | Ecrou                               |          |                               |         |
| 45      | 1      | 382034030/0  | Balancier Avec Douille Et Graisseur |          |                               |         |
| 46      | 2      | 112379511/0  | Graisseur                           |          |                               |         |
| 47      | 4      | 125034002/1  | Douille                             |          |                               |         |
| 48      | 1      | 112001010/0  | Anneau Benzing                      |          |                               |         |
| 51      | 1      | 112692695/0  | Vis                                 |          |                               |         |
| 52      | 2      | 112523100/0  | Rondelle                            |          |                               |         |
| 53      | 1      | 125160016/0  | Entretoise                          |          |                               | To      |
| 53      | 1      | 125160016/1  | Entretoise                          |          | From<br>01-Septem<br>ber-2013 |         |
| 54      | 1      | 112587100/0  | Grower                              |          |                               |         |
| 55      | 1      | 112295300/0  | Ecrou                               |          |                               |         |
| 61      | 4      | 125122200/2  | Roulement                           |          |                               |         |



Barre De Direction

| Réf. N° | Q.té : | Code article | Description          | Articles           | De        | Jusqu'à |
|---------|--------|--------------|----------------------|--------------------|-----------|---------|
| 62      | 2      | 182000598/0  | Bandage Roue         |                    |           |         |
| 63      | 2      | 125950000/0  | Vanne                |                    |           |         |
| 64      | 2      | 125590014/0  | Pneu 13x5.00-6 WANDA | For other ST Brand |           |         |
| 66      | 2      | 125670005/1  | Rondelle             |                    |           | To      |
| 66      | 2      | 125670005/2  | Rondelle             |                    | From      |         |
| 67      | 2      | 112001010/0  | Anneau Benzing       |                    | 01-Septem |         |
| 68      | 2      | 322110233/0  | Couvre Moyeu         |                    | ber-2014  |         |
| 70      | 1      | 382180124/0  | Dotation Visserie    |                    |           |         |

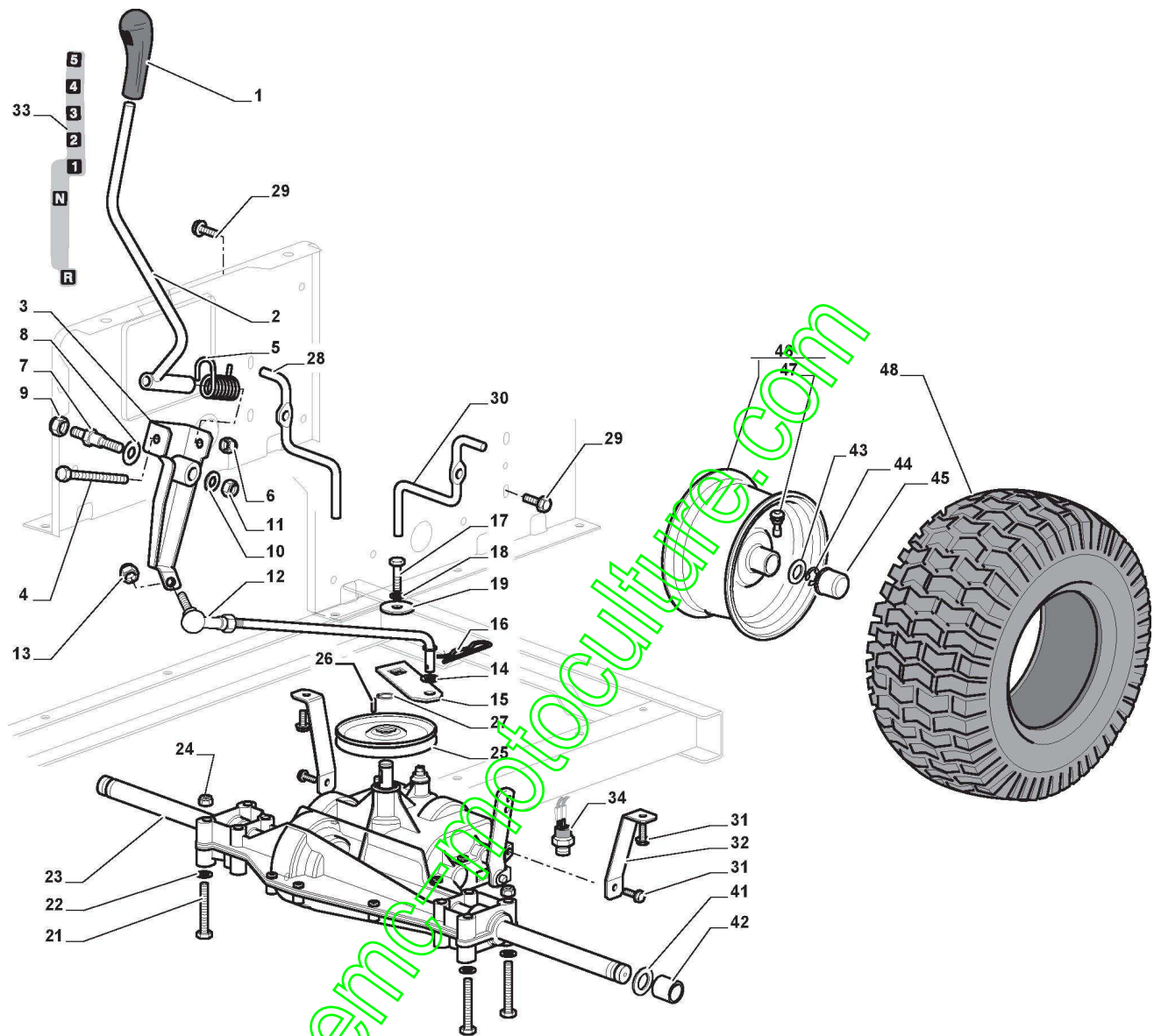
www.emc-motoculture.com



www.emc-motoculture.com

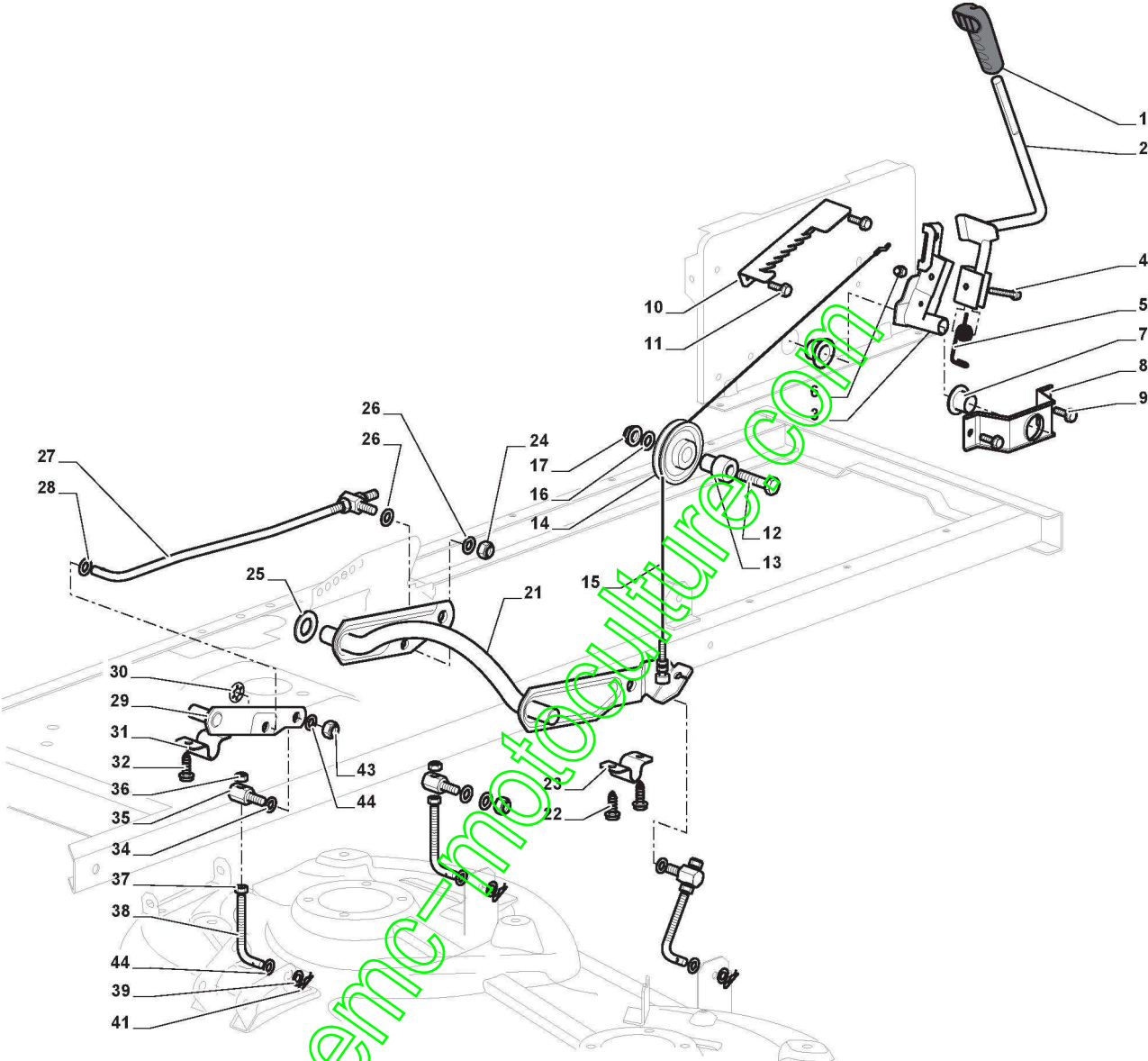
# Commande Frein Et Boite De Vitesse

| Réf. N° | Q.té : | Code article | Description                | Articles | De | Jusqu'à |
|---------|--------|--------------|----------------------------|----------|----|---------|
| 1       | 1      | 325110391/0  | Couvre Etrier              |          |    |         |
| 2       | 1      | 382500043/0  | Pedal                      |          |    |         |
| 3       | 4      | 112735599/0  | Vis                        |          |    |         |
| 4       | 2      | 325547231/0  | Plaquette                  |          |    |         |
| 5       | 1      | 382000568/0  | Tige                       |          |    |         |
| 6       | 1      | 112521350/0  | Rondelle                   |          |    |         |
| 7       | 1      | 112436050/0  | Plaquette                  |          |    |         |
| 8       | 1      | 325670011/0  | Rondelle Antifriction      |          |    |         |
| 9       | 1      | 112155000/0  | Ecrou                      |          |    |         |
| 11      | 1      | 125160021/0  | Entretoise                 |          |    |         |
| 12      | 1      | 125601567/0  | Poulie                     |          |    |         |
| 13      | 2      | 112524010/0  | Rondelle                   |          |    |         |
| 14      | 2      | 125580030/0  | Cheville Guide De Courroie |          |    |         |
| 15      | 2      | 112360425/0  | Ecrou                      |          |    |         |
| 20      | 1      | 135062012/0  | Courroie                   |          |    |         |
| 21      | 1      | 125601555/0  | Poulie                     |          |    |         |
| 22      | 3      | 112691400/0  | Vis                        |          |    |         |
| 23      | 1      | 125160051/0  | Entretoise                 |          |    |         |
| 24      | 3      | 112523060/0  | Rondelle                   |          |    |         |
| 25      | 3      | 112155000/0  | Ecrou                      |          |    |         |
| 26      | 1      | 112155000/0  | Ecrou                      |          |    |         |
| 27      | 1      | 112523060/0  | Rondelle                   |          |    |         |
| 28      | 1      | 125601554/0  | Poulie                     |          |    |         |
| 29      | 1      | 382318235/0  | Levier                     |          |    |         |
| 30      | 1      | 112691600/0  | Vis                        |          |    |         |
| 31      | 2      | 125038002/1  | Douille                    |          |    |         |
| 32      | 1      | 125160027/0  | Entretoise                 |          |    |         |
| 33      | 1      | 112155000/0  | Ecrou                      |          |    |         |
| 34      | 1      | 125430262/0  | Ressort                    |          |    |         |
| 35      | 1      | 382820016/0  | Ens. Tirant                |          |    |         |
| 36      | 1      | 112293201/0  | Ecrou                      |          |    |         |
| 37      | 1      | 112521350/0  | Rondelle                   |          |    |         |
| 38      | 1      | 112604899/0  | Fixateur A Couronne        |          |    |         |
| 41      | 1      | 325394534/0  | Poignée                    |          |    |         |
| 42      | 1      | 125033083/0  | Tige                       |          |    |         |
| 43      | 1      | 325253011/1  | Accrochage                 |          |    |         |
| 44      | 1      | 122524970/2  | Pivot                      |          |    |         |
| 45      | 1      | 112155000/0  | Ecrou                      |          |    |         |
| 46      | 1      | 125430213/0  | Ressort                    |          |    |         |
| 47      | 1      | 112523060/0  | Rondelle                   |          |    |         |
| 51      | 2      | 125160068/0  | Entretoise                 |          |    |         |
| 52      | 2      | 125601592/0  | Poulie                     |          |    |         |



## Transmission

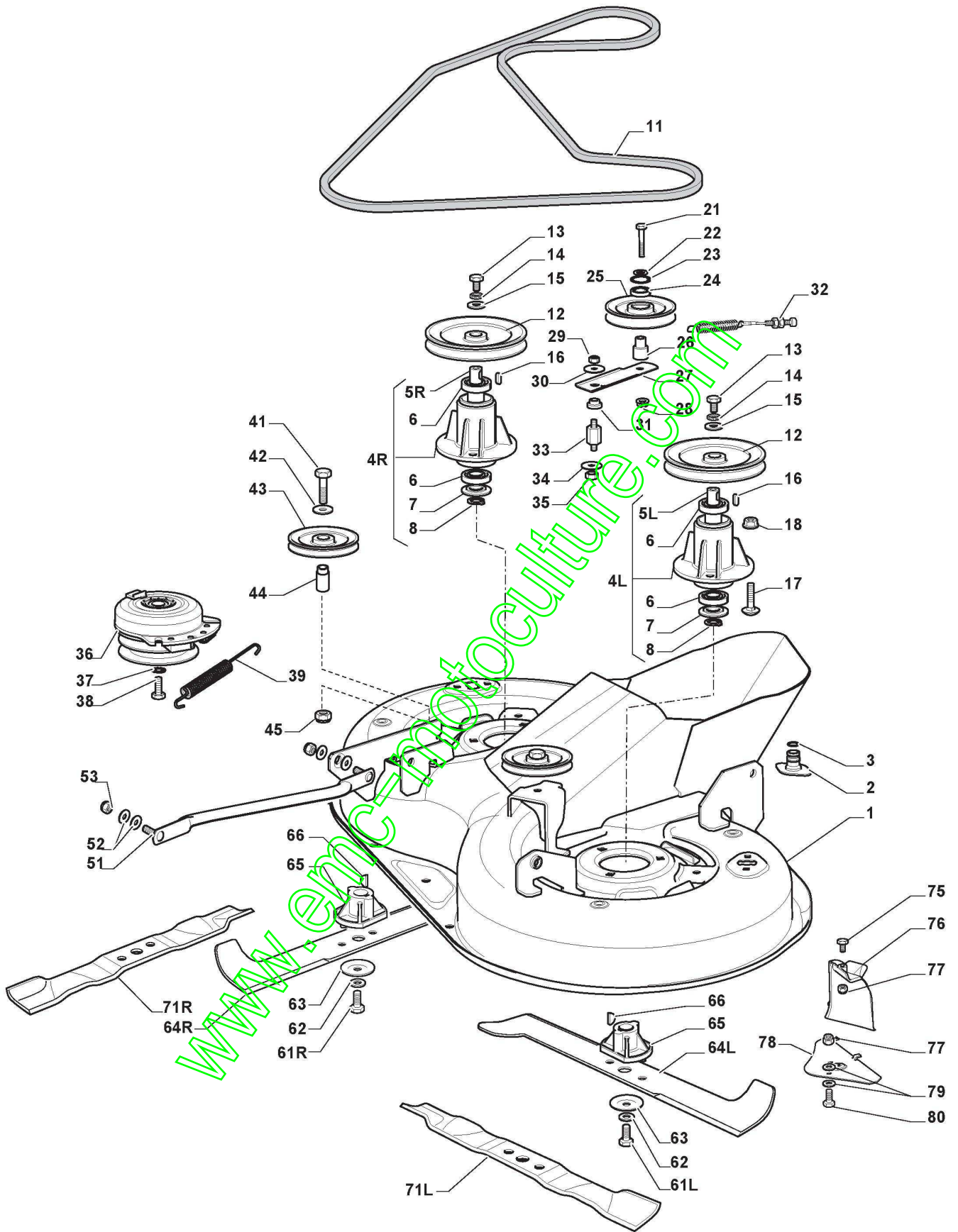
| Réf. N° | Q.té : | Code article | Description                 | Articles             | De | Jusqu'à |
|---------|--------|--------------|-----------------------------|----------------------|----|---------|
| 1       | 1      | 325394532/0  | Poignée                     |                      |    |         |
| 2       | 1      | 382318257/0  | Levier                      |                      |    |         |
| 3       | 1      | 382774259/0  | Etrier                      |                      |    |         |
| 4       | 1      | 112692050/0  | Vis                         |                      |    |         |
| 5       | 1      | 125430226/0  | Ressort                     |                      |    |         |
| 6       | 1      | 112155000/0  | Ecrou                       |                      |    |         |
| 7       | 1      | 125510035/0  | Pivot                       |                      |    |         |
| 8       | 1      | 322672151/0  | Rondelle Antifriction       |                      |    |         |
| 9       | 1      | 112293201/0  | Ecrou                       |                      |    |         |
| 10      | 1      | 112523060/0  | Rondelle                    |                      |    |         |
| 11      | 1      | 112155010/0  | Ecrou                       |                      |    |         |
| 12      | 1      | 382000567/0  | Tige                        |                      |    |         |
| 13      | 1      | 112154210/0  | Ecrou                       |                      |    |         |
| 14      | 1      | 112521340/0  | Rondelle                    |                      |    |         |
| 15      | 1      | 325318235/0  | Levier                      |                      |    |         |
| 16      | 1      | 112141418/0  | Goupille                    |                      |    |         |
| 17      | 1      | 112735520/0  | Vis                         |                      |    |         |
| 18      | 1      | 112540040/0  | Rondelle                    |                      |    |         |
| 19      | 1      | 322680009/0  | Rondelle                    |                      |    |         |
| 21      | 4      | 112691600/0  | Vis                         |                      |    |         |
| 22      | 4      | 112521350/0  | Rondelle                    |                      |    |         |
| 23      | 1      | 118400912/0  | Axe Arriere (Dana 4360-211) |                      |    |         |
| 24      | 4      | 112155000/0  | Ecrou                       |                      |    |         |
| 25      | 1      | 182601509/0  | Poulie                      |                      |    |         |
| 26      | 1      | 112139430/0  | Languette                   |                      |    |         |
| 27      | 1      | 112608950/0  | Seeger                      |                      |    |         |
| 28      | 1      | 125270329/0  | Guide Curroire              |                      |    |         |
| 29      | 2      | 112735599/0  | Vis                         |                      |    |         |
| 30      | 1      | 125270330/0  | Guide Curroire              |                      |    |         |
| 31      | 4      | 125943009/0  | Vis                         |                      |    |         |
| 32      | 2      | 325785315/0  | Support                     |                      |    |         |
| 33      | 1      | 114363451/0  | Etiquette                   |                      |    |         |
| 34      | 1      | 119410610/0  | Micro                       |                      |    |         |
| 41      | 2      | 125670005/1  | Rondelle                    |                      |    |         |
| 42      | 2      | 125160055/0  | Entretoise                  |                      |    |         |
| 43      | 6      | 125670005/1  | Rondelle                    |                      |    |         |
| 44      | 2      | 112001010/0  | Anneau Benzing              |                      |    |         |
| 45      | 2      | 322110233/0  | Couvre Moyeu                | Standard Black Cover |    |         |
| 47      | 2      | 125950000/0  | Vanne                       |                      |    |         |





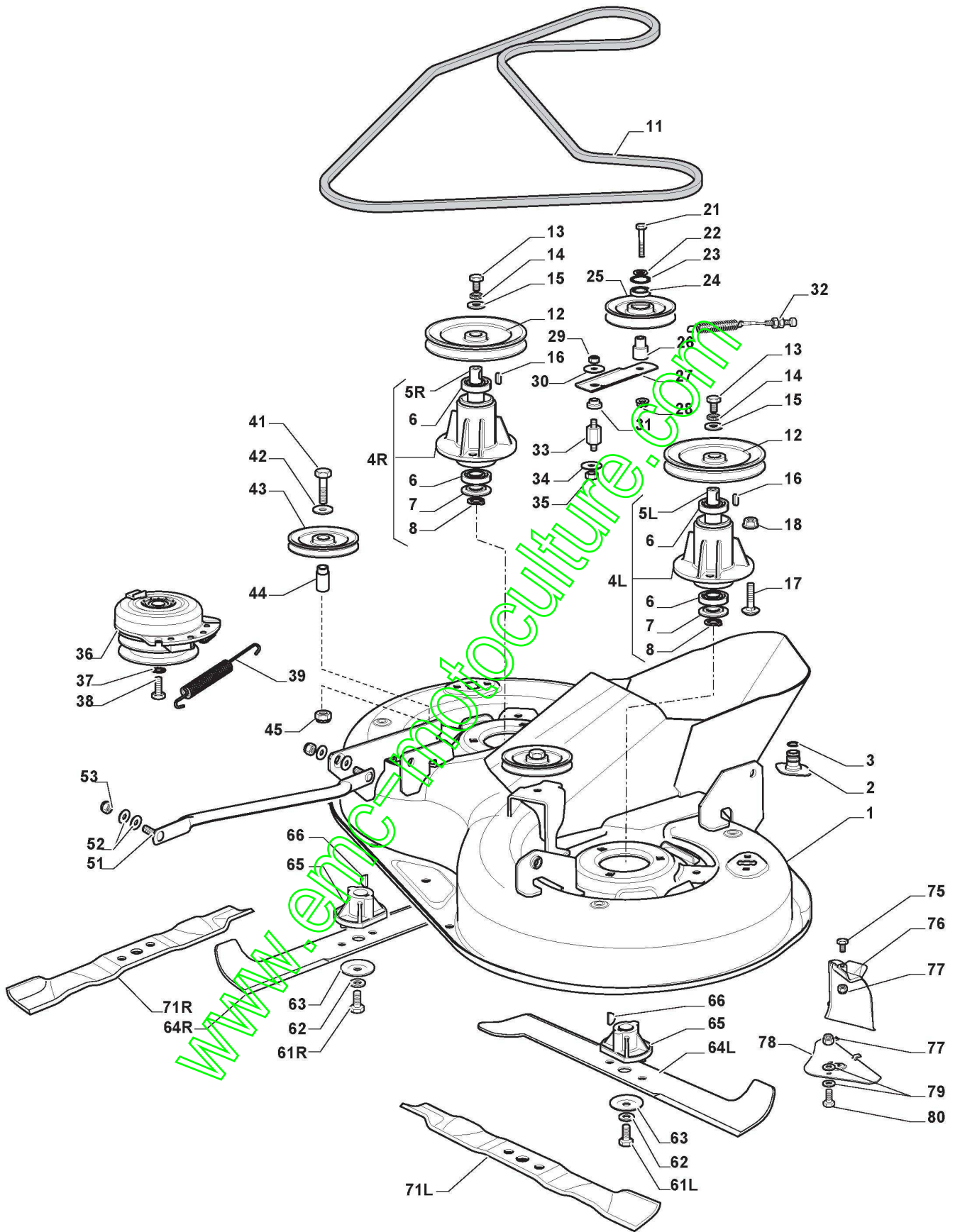
# Soulevement Plateau De Coupe

| Réf. N° | Q.té : | Code article | Description           | Articles   | De   | Jusqu'à                  |
|---------|--------|--------------|-----------------------|--|------|--------------------------|
| 1       | 1      | 325394533/0  | Poignée               |  |      |                          |
| 2       | 1      | 382318255/0  | Levier                |  |      |                          |
| 3       | 1      | 382318231/0  | Axe                   |  |      |                          |
| 4       | 1      | 112674700/0  | Vis                   |  |      |                          |
| 5       | 1      | 125430261/0  | Ressort               |  |      |                          |
| 6       | 1      | 112154510/0  | Ecrou                 |  |      |                          |
| 7       | 2      | 325038006/0  | Douille               |  |      |                          |
| 8       | 1      | 325785297/0  | Support               |  |      |                          |
| 9       | 2      | 125943009/0  | Vis                   |  |      |                          |
| 10      | 1      | 325735515/0  | Secteur Direction     |  |      |                          |
| 11      | 2      | 125943009/0  | Vis                   |  |      |                          |
| 12      | 1      | 112793701/0  | Vis                   |  |      |                          |
| 13      | 1      | 125040636/0  | Douille               |  |      |                          |
| 14      | 1      | 125601579/0  | Poulie                |  |      |                          |
| 15      | 1      | 382004620/0  | Fil                   |  |      |                          |
| 16      | 1      | 112523060/0  | Rondelle              |  |      |                          |
| 17      | 1      | 112293201/0  | Ecrou                 |  |      |                          |
| 21      | 1      | 382318253/0  | Axe                   | for the replacement check Service<br>Bulletin RO_043 |      |                          |
| 22      | 4      | 112735599/0  | Vis                   |  |      |                          |
| 23      | 2      | 325547231/0  | Plaquette             |  |      |                          |
| 24      | 1      | 112155000/0  | Ecrou                 |  |      |                          |
| 25      | 2      | 112521390/0  | Rondelle              |  |      |                          |
| 26      | 2      | 325670011/0  | Rondelle Antifriccion |  |      |                          |
| 27      | 1      | 382000569/1  | Tige De Connexion     | for the replacement check Service<br>Bulletin RO_043 |      |                          |
| 28      | 1      | 112521350/0  | Rondelle              |  |      |                          |
| 29      | 1      | 382318237/0  | Axe                   | for the replacement check Service<br>Bulletin RO_043 |      |                          |
| 30      | 1      | 112604899/0  | Fixateur A Couronne   |  |      |                          |
| 31      | 1      | 325547231/0  | Plaquette             |  |      |                          |
| 32      | 2      | 112735599/0  | Vis                   |  |      |                          |
| 34      | 3      | 325670008/1  | Rondelle              |  |      |                          |
| 35      | 3      | 125510107/1  | Pivot                 |  |      |                          |
| 36      | 3      | 112156602/0  | Ecrou                 |  |      |                          |
| 37      | 3      | 112295200/0  | Ecrou                 |  |      |                          |
| 38      | 1      | 125840012/0  | Tirant                |  |      |                          |
| 39      | 3      | 112523060/0  | Rondelle              |  |      |                          |
| 39      | 3      | 325670008/1  | Rondelle              |  | From | To<br>31-August-<br>2013 |
| 41      | 3      | 124487998/0  | Goupille              |  |      |                          |
| 43      | 3      | 112156602/0  | Ecrou                 |  |      |                          |
| 44      | 6      | 325670008/1  | Rondelle              |  |      |                          |



# Plateau De Coupe avec Embrayage Electromagnétique

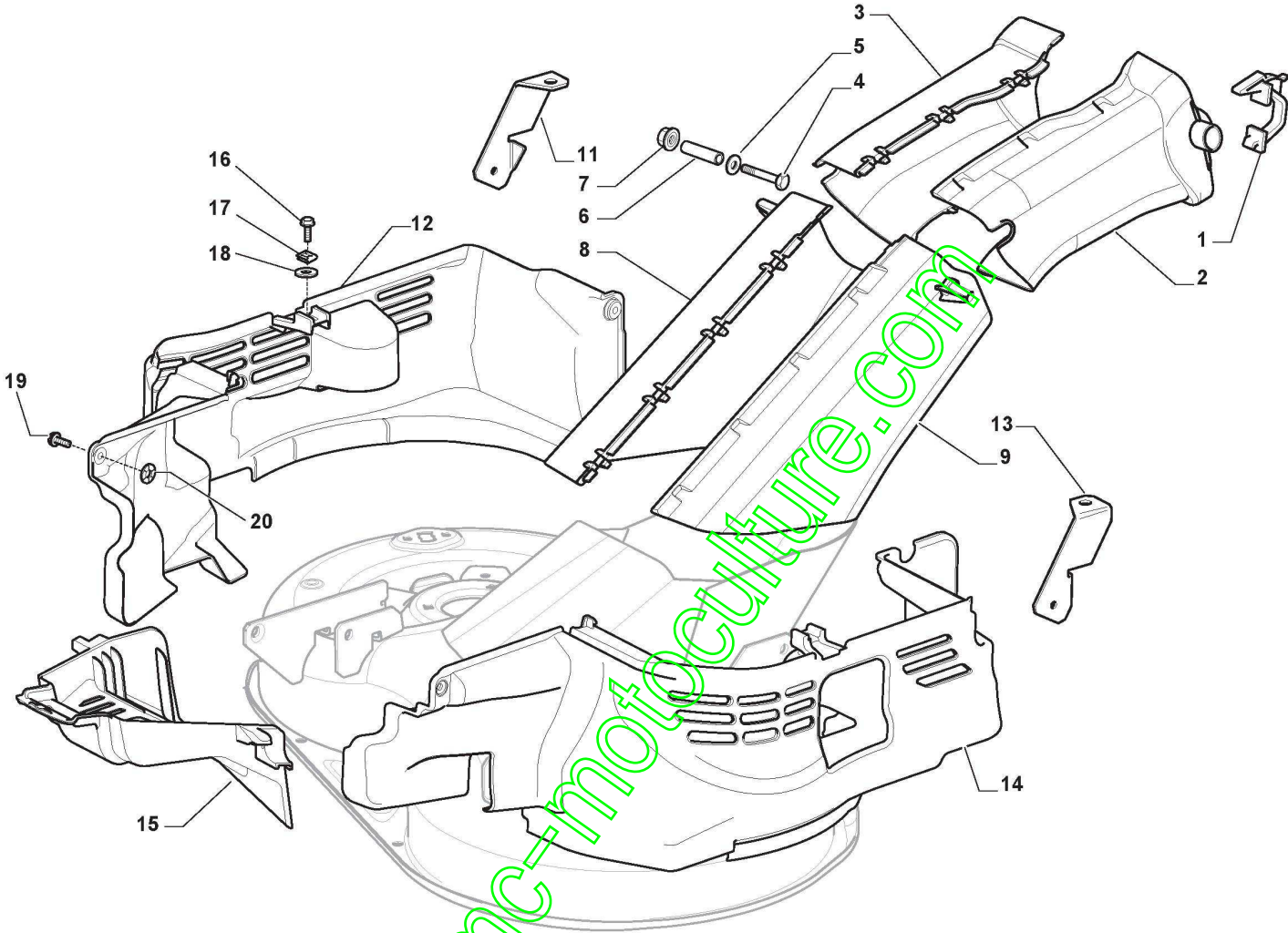
| Réf. N° | Q.té : | Code article | Description           | Articles | De        | Jusqu'à    |
|---------|--------|--------------|-----------------------|----------|-----------|------------|
| 1       | 1      | 382564114/0  | Plateau De Coupe Noir |          |           |            |
| 2       | 2      | 325033086/0  | Raccord Tuyau D'Eau   |          |           |            |
| 3       | 2      | 119035000/0  | Joint Or              |          |           |            |
| 4       | 1      | 382207205/0  | Ensamble Bride        | Pos. 4R  |           | To         |
| 4       | 1      | 382207205/1  | Ensamble Bride        | Pos. 4R  | From      | To         |
| 4       | 1      | 382207206/0  | Ensamble Bride        | Pos. 4L  | 01-Septem | To         |
| 4       | 1      | 382207206/1  | Ensamble Bride        | Pos. 4L  | ber-2015  | To         |
| 5       | 1      | 125020804/0  | Arbre                 | Pos. 5L  | From      | To         |
| 5       | 1      | 125020805/0  | Arbre                 | Pos. 5R  | 01-Septem | 31-August- |
| 6       | 4      | 119216041/0  | Roulement             |          | ber-2015  | 2016       |
| 6       | 4      | 119216049/0  | Roulement             |          | From      | To         |
| 7       | 2      | 325160501/0  | Protege-Poussiere     |          |           | To         |
| 8       | 2      | 112609260/0  | Seeger                |          |           | To         |
| 11      | 1      | 135061508/0  | Courroie              |          |           | 31-August- |
| 12      | 2      | 125601585/1  | Poulie                |          |           | 2014       |
| 13      | 2      | 112793102/0  | Vis                   |          |           |            |
| 14      | 2      | 112540260/0  | Rondelle              |          |           |            |
| 15      | 2      | 125670007/0  | Rondelle              |          |           |            |
| 16      | 2      | 112139480/0  | Clavette              |          |           |            |
| 17      | 6      | 112818690/0  | Vis                   |          |           |            |
| 18      | 6      | 112154210/0  | Ecrou                 |          |           |            |
| 21      | 1      | 112691400/0  | Vis                   |          |           |            |
| 22      | 1      | 112524010/0  | Rondelle              |          |           |            |
| 23      | 1      | 112610800/0  | Anneau Ressort        |          |           |            |
| 24      | 1      | 119216041/0  | Roulement             |          | From      | To         |
| 24      | 1      | 119216048/0  | Roulement             |          | 01-Septem | 31-August- |
| 25      | 1      | 125601595/0  | Poulie                |          | ber-2014  | 2018       |
| 26      | 1      | 125160052/0  | Entretoise            |          |           |            |
| 27      | 1      | 325318289/0  | Levier                |          |           |            |
| 28      | 1      | 112293201/0  | Ecrou                 |          |           |            |
| 29      | 1      | 112155020/0  | Ecrou                 |          |           |            |
| 30      | 1      | 125670022/0  | Rondelle              |          |           |            |
| 31      | 1      | 125040635/0  | Douille               |          |           |            |
| 32      | 1      | 382004618/0  | Fil                   |          |           |            |
| 33      | 1      | 125160049/0  | Entretoise            |          |           |            |
| 34      | 1      | 112523080/0  | Rondelle              |          |           |            |
| 35      | 1      | 112156602/0  | Ecrou                 |          |           |            |
| 36      | 1      | 118399069/0  | Friction              |          |           |            |
| 37      | 1      | 112543000/0  | Rondelle              |          |           |            |
| 38      | 1      | 112737320/0  | Vis                   |          |           |            |
| 39      | 1      | 125430277/0  | Ressort               |          |           |            |
| 41      | 2      | 112691400/0  | Vis                   |          |           |            |
| 42      | 2      | 112523060/0  | Rondelle              |          |           |            |
| 43      | 2      | 125601555/0  | Poulie                |          |           | To         |
| 43      | 2      | 325601599/0  | Poulie                |          | From      | To         |
| 44      | 2      | 125160069/0  | Entretoise            |          | 01-Septem | To S/N     |
| 44      | 2      | 125160082/0  | Entretoise            |          | ber-2013  | 0000100    |
| 45      | 2      | 112155000/0  | Ecrou                 |          | S/N       | To S/N     |
|         |        |              |                       |          | 00088194  | 19LA3RON   |
|         |        |              |                       |          |           | 007423     |



# Plateau De Coupe avec Embrayage Electromagnétique

| Réf. N° | Q.té : | Code article | Description            | Articles | De | Jusqu'à |
|---------|--------|--------------|------------------------|----------|----|---------|
| 51      | 2      | 382000565/0  | Tige Balancier         |          |    |         |
| 52      | 8      | 325670008/1  | Rondelle               |          |    |         |
| 53      | 4      | 112156602/0  | Ecrou                  |          |    |         |
| 61      | 1      | 112735694/0  | Vis                    | Pos. 61L |    |         |
| 61      | 1      | 112735695/1  | Vis                    | Pos. 61R |    |         |
| 62      | 2      | 112523080/0  | Rondelle               |          |    |         |
| 63      | 2      | 122160400/0  | Disque Elastique       |          |    |         |
| 64      | 1      | 182004358/0  | Lame Droit, Aillettee  | Pos. 64R |    |         |
| 64      | 1      | 182004359/0  | Lame Gauche, Aillettee | Pos. 64L |    |         |
| 65      | 2      | 125463200/0  | Moyeu Lame             |          |    |         |
| 66      | 2      | 112139100/0  | Langnette              |          |    |         |
| 71      | 1      | 182004360/0  | Lame Droit Mulching    | Pos. 71R |    |         |
| 71      | 1      | 182004361/0  | Lame Gauche Mulching   | Pos. 71L |    |         |
| 75      | 3      | 112791213/1  | Vis                    |          |    |         |
| 76      | 1      | 325140108/0  | Deflecteur             |          |    |         |
| 77      | 4      | 112154510/0  | Ecrou                  |          |    |         |
| 78      | 1      | 325785418/0  | Support                |          |    |         |
| 79      | 4      | 112523040/0  | Rondelle               |          |    |         |
| 80      | 1      | 112790781/0  | Vis                    |          |    |         |

www.emc-motoculture.com

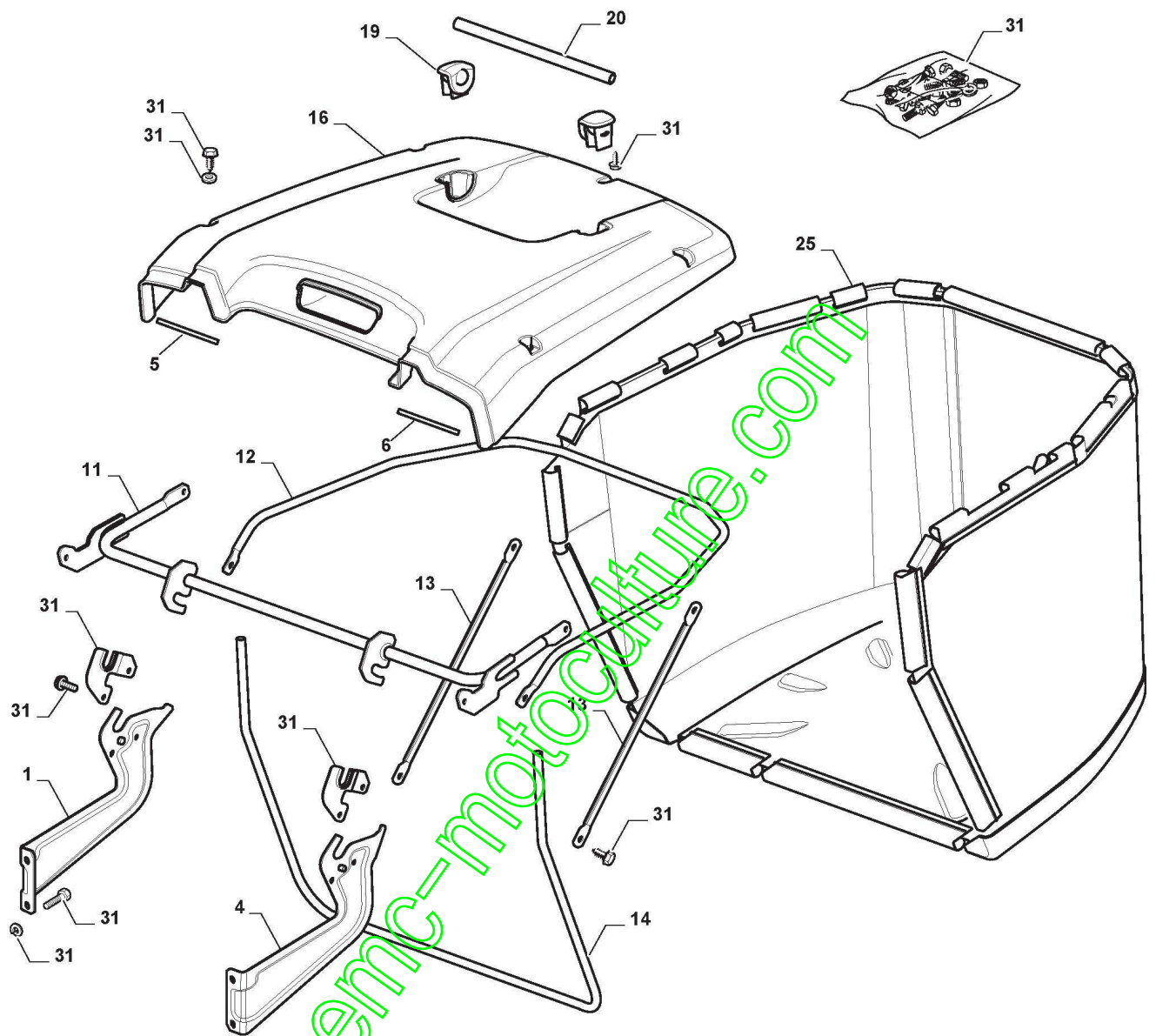


www.emc-motoculture.com

# Protections

| Réf. N° | Q.té : | Code article | Description         | Articles | De   | Jusqu'à                  |
|---------|--------|--------------|---------------------|----------|------|--------------------------|
| 1       | 2      | 325774499/0  | Etrier              |          |      |                          |
| 2       | 1      | 325108057/0  | Convoyeur           |          |      |                          |
| 3       | 1      | 325108056/0  | Convoyeur           |          |      |                          |
| 4       | 2      | 112792425/0  | Vis                 |          |      |                          |
| 5       | 2      | 112521330/0  | Rondelle            |          |      |                          |
| 6       | 2      | 125160071/0  | Entretoise          |          |      |                          |
| 7       | 2      | 112292102/0  | Ecrou               |          |      |                          |
| 8       | 1      | 325108064/0  | Convoyeur           |          |      |                          |
| 9       | 1      | 325108065/0  | Convoyeur           |          |      |                          |
| 11      | 1      | 325774527/0  | Etrier              |          |      |                          |
| 12      | 1      | 325060164/0  | Carter              |          |      |                          |
| 13      | 1      | 325774529/0  | Etrier              |          |      |                          |
| 14      | 1      | 325060165/0  | Carter              |          |      |                          |
| 15      | 1      | 325060166/0  | Protection          |          |      |                          |
| 16      | 2      | 112789008/0  | Vis                 |          |      |                          |
| 17      | 2      | 112437503/0  | Plaquette           |          |      |                          |
| 18      | 2      | 112521320/0  | Rondelle            |          |      |                          |
| 18      | 2      | 112523020/0  | Rondelle            |          | From | To<br>31-August-<br>2014 |
| 19      | 4      | 125943011/0  | Vis                 |          |      |                          |
| 20      | 4      | 112604899/0  | Fixateur A Couronne |          |      |                          |

www.emc-motoculture.com

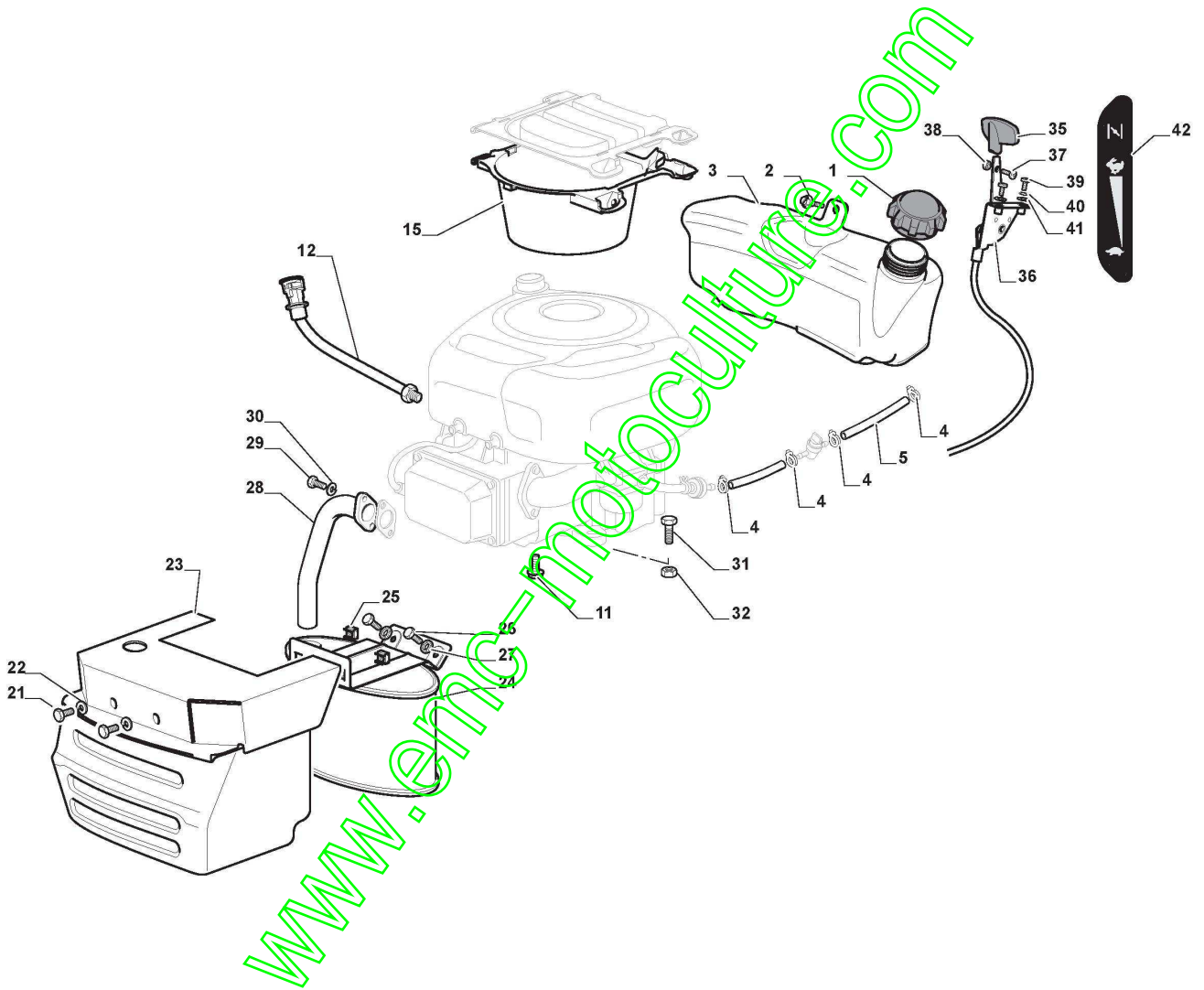




# Bac

| Réf. N° | Q.té : | Code article | Description       | Articles           | De | Jusqu'à |
|---------|--------|--------------|-------------------|--------------------|----|---------|
| 1       | 1      | 325785377/0  | Support           |                    |    |         |
| 4       | 1      | 325785383/0  | Support           |                    |    |         |
| 5       | 1      | 125270802/0  | Garniture         |                    |    |         |
| 6       | 1      | 125270803/0  | Garniture         |                    |    |         |
| 11      | 1      | 382800147/0  | Chassis Superieur |                    |    |         |
| 12      | 1      | 382800145/0  | Chassis Superieur |                    |    |         |
| 13      | 2      | 325650161/0  | Renforcement      |                    |    |         |
| 14      | 1      | 382800143/0  | Chassis Avant     |                    |    |         |
| 16      | 1      | 325110437/0  | Couvre-Bac Noir   |                    |    |         |
| 19      | 2      | 325785417/0  | Support           |                    |    |         |
| 20      | 1      | 325394538/0  | Poignee           |                    |    |         |
| 25      | 1      | 182105942/0  | Bac               | Black without Logo |    |         |
| 31      | 1      | 382180122/0  | Dotation Visserie |                    |    |         |

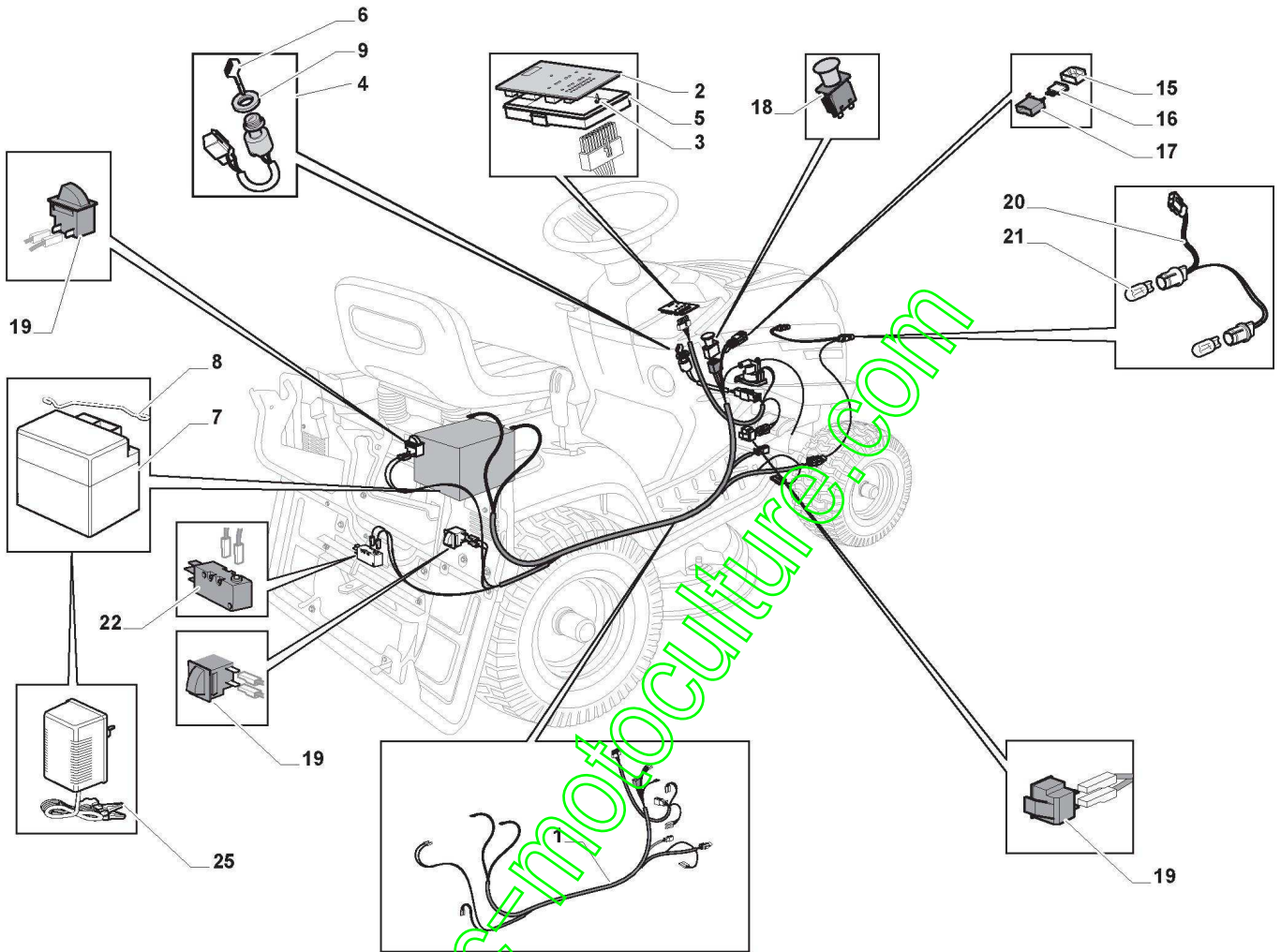
www.emc-motoculture.com



Moteur - B&S

| Réf. N° | Q.té : | Code article | Description                 | Articles | De                            | Jusqu'à |
|---------|--------|--------------|-----------------------------|----------|-------------------------------|---------|
| 1       | 1      | 125795001/1  | Bouchon                     |          |                               |         |
| 2       | 4      | 125943010/0  | Vis                         |          |                               |         |
| 3       | 1      | 325735126/0  | Réservoir à carburant       |          |                               |         |
| 4       | 4      | 118375051/1  | Fixation De Cable           |          |                               |         |
| 5       | 1      | 325869057/0  | Tube De Connexion           |          |                               |         |
| 11      | 3      | 112735108/1  | Vis                         |          |                               |         |
| 12      | 1      | 125598050/0  | Rallonge Dechargement Huile |          |                               |         |
| 13      | 1      | 118401001/1  | Garniture                   |          |                               |         |
| 14      | 1      | 118737849/0  | Bouchon                     |          |                               |         |
| 15      | 1      | 325108044/0  | Convoyeur                   |          |                               | To      |
| 15      | 1      | 325108044/1  | Convoyeur                   |          | From<br>01-Septem<br>ber-2010 |         |
| 21      | 2      | 112792611/0  | Vis                         |          |                               |         |
| 22      | 2      | 112540260/0  | Rondelle                    |          |                               |         |
| 23      | 1      | 382598047/0  | Protection Silencieux       |          |                               |         |
| 24      | 1      | 182750010/0  | Silencieux                  |          |                               |         |
| 25      | 2      | 112360425/0  | Ecrou                       |          |                               |         |
| 26      | 2      | 112792611/0  | Vis                         |          |                               |         |
| 27      | 2      | 112540260/0  | Rondelle                    |          |                               |         |
| 28      | 1      | 118738224/0  | Tube De Echappement         |          |                               |         |
| 29      | 2      | 112737450/0  | Vis                         |          |                               |         |
| 30      | 2      | 112540260/0  | Rondelle                    |          |                               |         |
| 31      | 1      | 112691115/0  | Vis                         |          |                               |         |
| 32      | 3      | 112154210/0  | Ecrou                       |          |                               |         |
| 35      | 1      | 325394531/0  | Poignée                     |          |                               |         |
| 36      | 1      | 182000216/0  | Accelérateur                |          |                               |         |
| 37      | 1      | 112726389/0  | Vis                         |          |                               |         |
| 38      | 1      | 112290800/0  | Ecrou                       |          |                               |         |
| 39      | 2      | 112726389/0  | Vis                         |          |                               |         |
| 40      | 2      | 112540020/0  | Rondelle                    |          |                               |         |
| 41      | 2      | 112521310/0  | Rondelle                    |          |                               |         |
| 42      | 1      | 114363697/0  | Etiquette                   |          |                               |         |

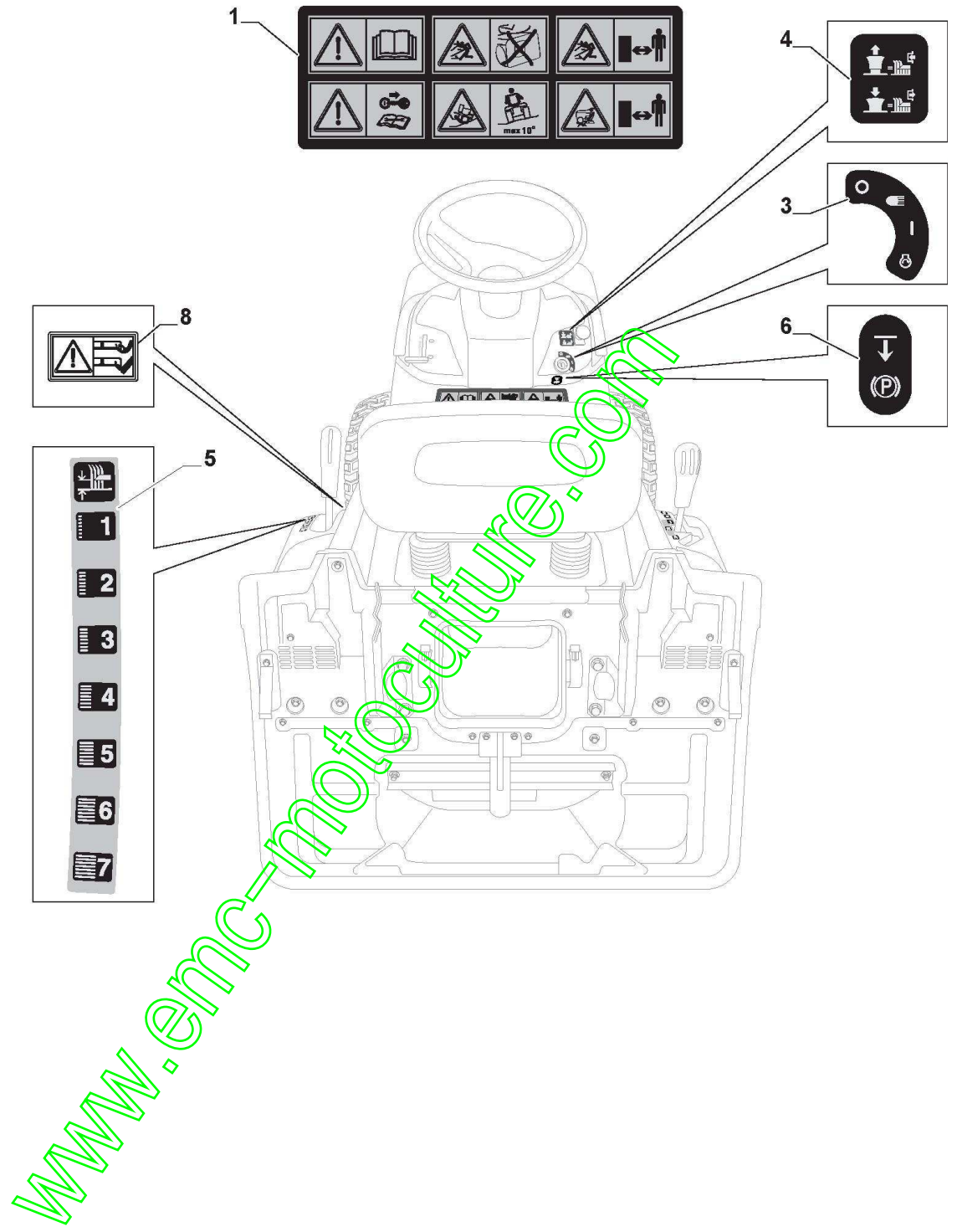
www.emc-motoculture.com



## Parties Electriques

| Réf. N° | Q.té : | Code article | Description                             | Articles          | De | Jusqu'à |
|---------|--------|--------------|---|-------------------|----|---------|
| 1       | 1      | 182040183/0  | Ens. Cablages                           | for Mecch. Models |    |         |
| 2       | 1      | 125722437/0  | Carte Electronique                      |                   |    |         |
| 3       | 1      | 112735101/0  | Vis                                     |                   |    |         |
| 4       | 1      | 118450075/0  | Interrupteur Demarrage                  |                   |    |         |
| 5       | 1      | 325600090/0  | Protection De Carte                     |                   |    |         |
| 6       | 1      | 118210023/0  | Clef A Demarrage                        |                   |    |         |
| 7       | 1      | 118120002/1  | Batterie                                |                   |    |         |
| 8       | 1      | 125430265/1  | Ressort                                 |                   |    |         |
| 9       | 1      | 118400863/0  | Manchon Expansible                      |                   |    |         |
| 15      | 2      | 133215000/0  | Couvercle                               |                   |    |         |
| 16      | 1      | 133340036/0  | Fusible 25 A                            |                   |    |         |
| 16      | 1      | 133340040/0  | Fusible 10 A                            |                   |    |         |
| 17      | 2      | 133500007/0  | Tableau De Fusible                      |                   |    |         |
| 18      | 1      | 118450074/0  | Interrupteur Embrajage                  |                   |    |         |
| 19      | 3      | 119410613/0  | Microinterrupteur                       |                   |    |         |
| 20      | 1      | 182040186/0  | Cables                                  | for Lamp models   |    |         |
| 21      | 2      | 118459100/0  | Ampoule De Phares                       |                   |    |         |
| 22      | 1      | 119410605/1  | Microinterrupteur                       |                   |    |         |
| 25      | 1      | 182180090/0  | Chargeur De Batteries 12V 1A - CE Plugg | CE Plug           |    |         |

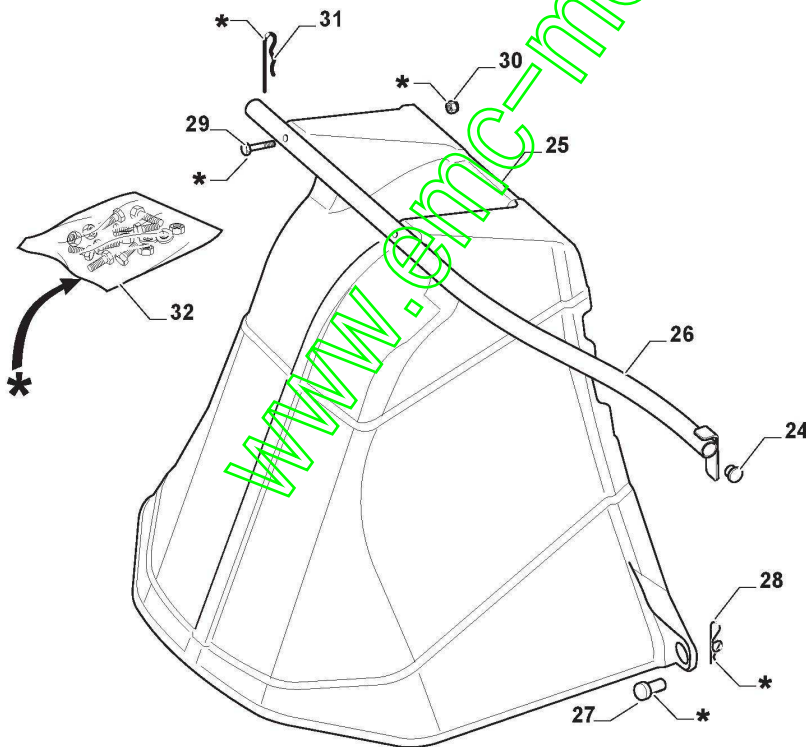
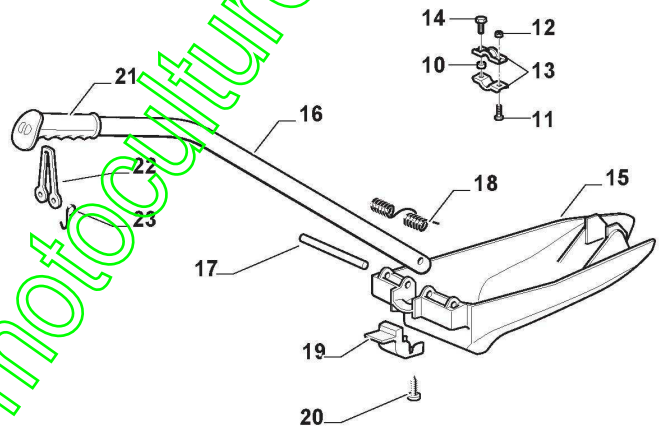
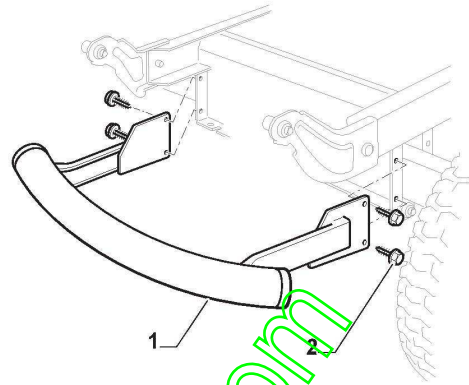
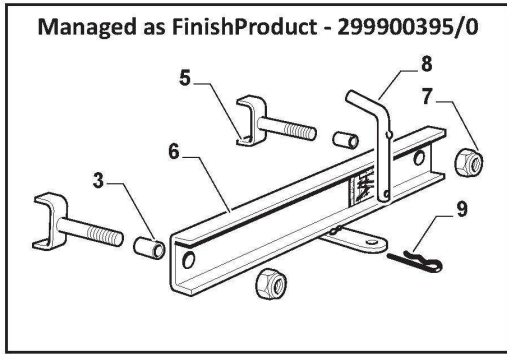
www.emc-motoculture.com



# Etiquettes

| Réf. N° | Q.té : | Code article | Description                   | Articles | De        | Jusqu'à |
|---------|--------|--------------|-------------------------------|----------|-----------|---------|
| 1       | 1      | 114361553/1  | Étiquette D'Avertissement     |          |           |         |
| 3       | 1      | 114363699/0  | Etiquette                     |          |           |         |
| 4       | 1      | 114361438/0  | Etiquette                     |          |           |         |
| 5       | 1      | 114363701/0  | Etiquette                     |          |           | To      |
| 5       | 1      | 114366142/0  | Etikett                       |          | From      |         |
| 6       | 1      | 114363700/0  | Etiquette                     |          | 01-Septem |         |
| 8       | 1      | 114356699/1  | Etiquette De Plaque De Danger |          | ber-2014  |         |

www.emc-motoculture.com

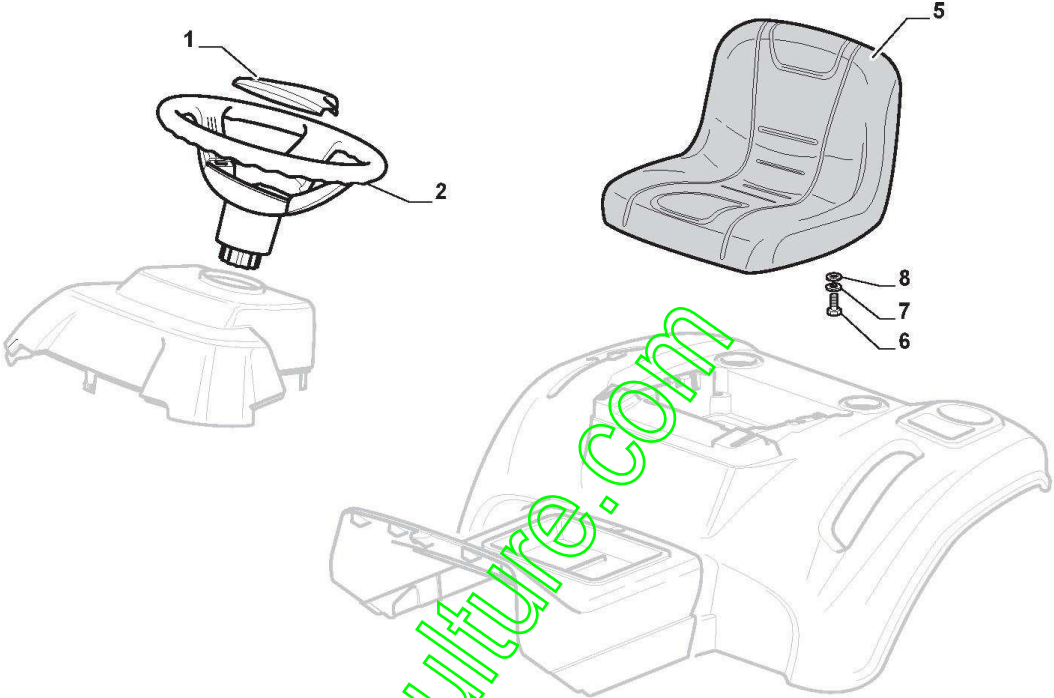




# Accessoires Sur Demande

| Réf. N° | Q.té : | Code article | Description                 | Articles                 | De                             | Jusqu'à                      |
|---------|--------|--------------|-----------------------------|--------------------------|--------------------------------|------------------------------|
| 1       | 1      | 382869038/0  | Protection Silencieux       |                          |                                |                              |
| 2       | 4      | 112735599/0  | Vis                         |                          |                                |                              |
| 3       | 2      | 125160074/0  | Entretoise                  |                          |                                | To S/N<br>19JA3RON<br>001409 |
| 3       | 2      | 125160108/0  | Entretoise                  |                          | From S/N<br>19JA3RON           |                              |
| 5       | 2      | 382650211/0  | Renforcement                |                          |                                |                              |
| 6       | 1      | 382033119/0  | Barre De Trainage           | Available on 299900395/0 |                                |                              |
| 7       | 2      | 112155000/0  | Ecrou                       |                          |                                |                              |
| 8       | 1      | 125510021/1  | Pivot                       |                          |                                |                              |
| 9       | 1      | 124487999/0  | Goupille                    |                          |                                |                              |
| 10      | 1      | 122170600/0  | Entretoise                  |                          |                                |                              |
| 11      | 1      | 112792099/0  | Vis                         |                          |                                |                              |
| 12      | 3      | 112292102/0  | Ecrou                       |                          |                                |                              |
| 13      | 2      | 327546015/2  | Plaquette                   |                          |                                |                              |
| 14      | 1      | 112791400/0  | Vis                         |                          |                                |                              |
| 15      | 1      | 325140104/0  | Deflecteur                  |                          |                                | To<br>31-August-<br>2013     |
| 15      | 1      | 325140104/1  | Deflecteur                  |                          | From<br>01-Septem-<br>2017     |                              |
| 16      | 1      | 325394021/0  | Guidon                      |                          |                                |                              |
| 17      | 1      | 125510077/0  | Pivot                       |                          |                                |                              |
| 18      | 1      | 125430245/0  | Ressort                     |                          |                                |                              |
| 19      | 1      | 325547320/0  | Plaque                      |                          |                                |                              |
| 20      | 1      | 112735403/0  | Vis                         |                          |                                |                              |
| 21      | 1      | 325280000/1  | Branche                     |                          |                                |                              |
| 22      | 1      | 125840011/1  | Tirant                      |                          |                                |                              |
| 23      | 2      | 125253004/0  | Crochet Fixage Kit Mulching |                          |                                |                              |
| 24      | 2      | 118566112/0  | Bouchon Tube Guidon         |                          |                                |                              |
| 25      | 1      | 325600093/0  | Protection Sortie           |                          |                                | To<br>01-Septem-<br>2017     |
| 25      | 1      | 325600093/1  | Protection Sortie           |                          | From<br>01-Septem-<br>ber-2017 |                              |
| 26      | 1      | 382869044/0  | Support                     |                          |                                |                              |
| 27      | 2      | 125510022/1  | Pivot                       |                          |                                |                              |
| 28      | 2      | 124487998/0  | Goupille                    |                          |                                |                              |
| 29      | 2      | 112689515/0  | Vis                         |                          |                                |                              |
| 30      | 2      | 112154510/0  | Ecrou                       |                          |                                |                              |
| 31      | 1      | 124487999/0  | Goupille                    |                          |                                |                              |
| 32      | 1      | 382180028/0  | Dotation Visserie           |                          |                                |                              |

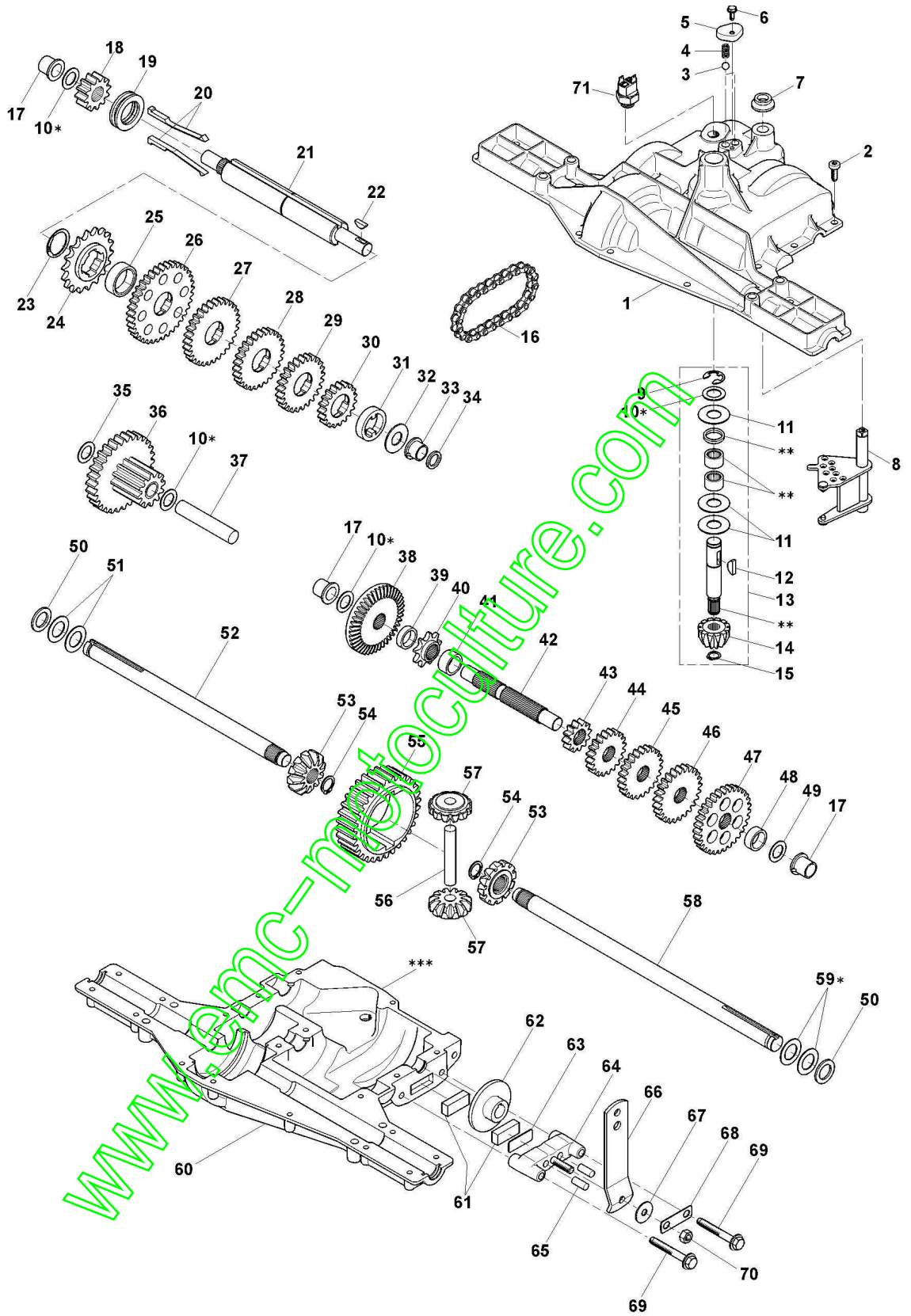
www.emc-motoculture.com



# Siege & Volant

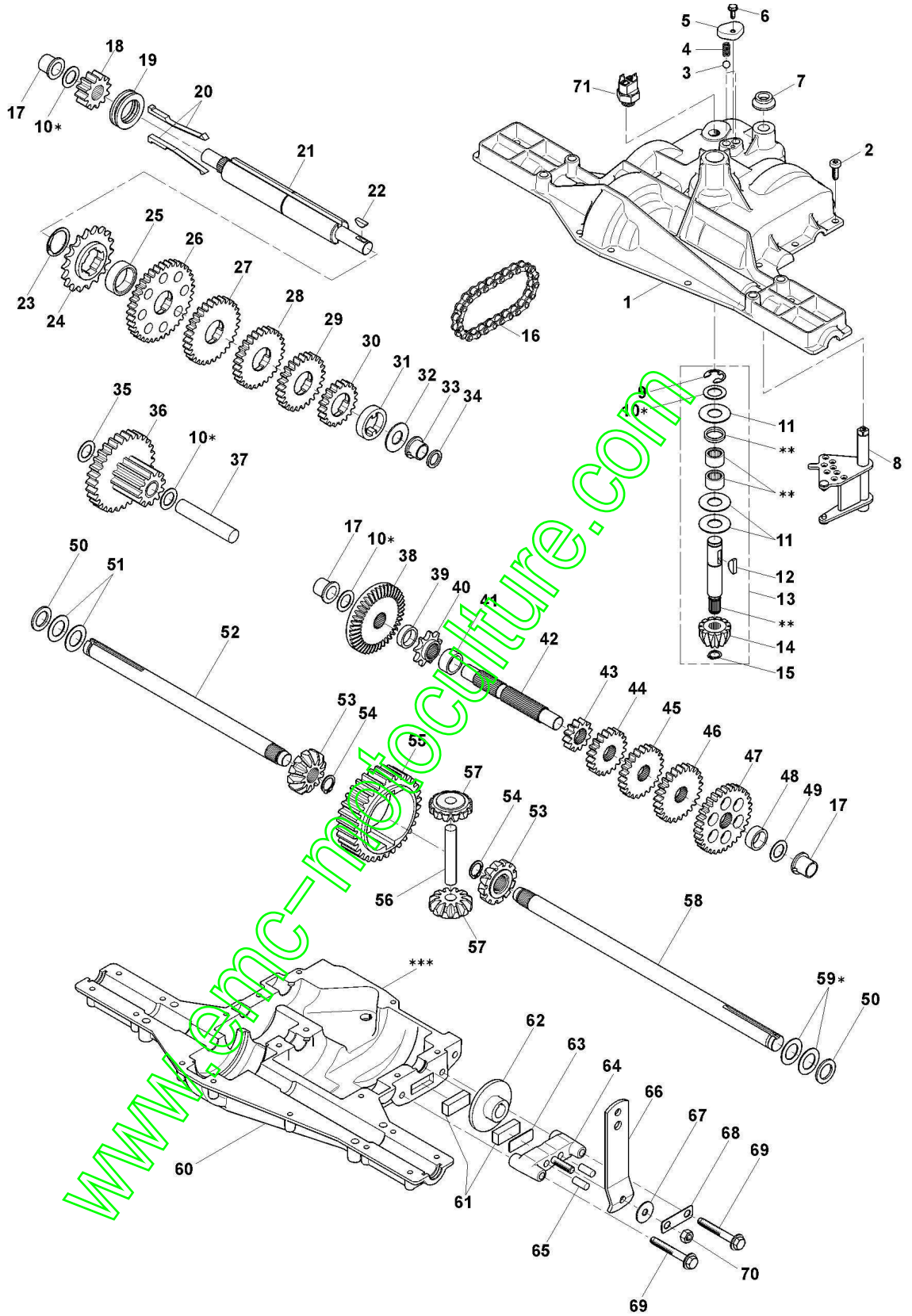
| Réf. N° | Q.té : | Code article | Description   | Articles | De | Jusqu'à |
|---------|--------|--------------|---------------|----------|----|---------|
| 1       | 1      | 325580503/0  | Plaque Volant |          |    |         |
| 2       | 1      | 325961219/0  | Volant        |          |    |         |
| 5       | 1      | 125722472/0  | Siege         |          |    |         |
| 6       | 4      | 112792611/0  | Vis           |          |    |         |
| 7       | 4      | 112540260/0  | Rondelle      |          |    |         |
| 8       | 4      | 112523060/0  | Rondelle      |          |    |         |

[www.emc-motoculture.com](http://www.emc-motoculture.com)



# Transmission

| Ref. N° | Q.té : | Code article | Description                  | Articles | De | Jusqu'à |
|---------|--------|--------------|------------------------------|----------|----|---------|
| 1       | 1      | F000-5962-AC | Housing, Upper               |          |    |         |
| 2       | 16     | F000-1919-00 | Vis                          |          |    |         |
| 3       | 2      | F000-5947-00 | Sphère                       |          |    |         |
| 4       | 2      | F000-5948-00 | Ressort                      |          |    |         |
| 5       | 1      | F000-5950-00 | Cover, Detent                |          |    |         |
| 6       | 1      | F084-0052-00 | Vis                          |          |    |         |
| 7       | 1      | F000-7010-00 | V-Ring                       |          |    |         |
| 8       | 1      | F000-6517-00 | Assy, Kit, Shifter           |          |    |         |
| 9       | 1      | F000-1106-00 | Ring, Retaining              |          |    |         |
| 10      | 4      | F000-4689-00 | Assy, Kit, Shim, .625 Shaft  |          |    |         |
| 11      | 3      | F000-3876-00 | Rondelle                     |          |    |         |
| 12      | 1      | F000-1746-00 | Clé de volant                |          |    |         |
| 13      | 1      | F000-6595-00 | Assy, Kit, Input Shaft       |          |    |         |
| 14      | 1      | F000-5620-00 | Pinion, Bevel, 12T           |          |    |         |
| 15      | 1      | F000-3624-00 | Ring, Retaining              |          |    |         |
| 16      | 1      | F000-3625-00 | Chain, 24 Pitches            |          |    |         |
| 17      | 3      | F000-5510-00 | Bearing, Flange              |          |    |         |
| 18      | 1      | F000-5627-00 | Gear, Spur, 12T              |          |    |         |
| 19      | 1      | F000-5303-00 | Collar, Clutch               |          |    |         |
| 20      | 1      | F000-4758-00 | Assy, Kit, Clutch Clefs      |          |    |         |
| 21      | 1      | F000-5737-00 | Shaft, Intermediate          |          |    |         |
| 22      | 1      | F000-1375-00 | Clé de volant                |          |    |         |
| 23      | 1      | F000-3627-00 | Ring, Retaining              |          |    |         |
| 24      | 1      | F000-3830-00 | Couronne, 18T                |          |    |         |
| 25      | 1      | F000-3841-00 | Entretoise                   |          |    |         |
| 26      | 1      | F000-5365-00 | Gear, Spur, 37T              |          |    |         |
| 27      | 1      | F000-3867-00 | Gear, Spur, 30T              |          |    |         |
| 28      | 1      | F000-5014-00 | Gear, Spur, 27T              |          |    |         |
| 29      | 1      | F000-3783-00 | Gear, Spur, 25T              |          |    |         |
| 30      | 1      | F000-5202-00 | Gear, Spur, 19T              |          |    |         |
| 31      | 1      | F000-5027-00 | Entretoise                   |          |    |         |
| 32      | 1      | F000-3628-00 | Rondelle                     |          |    |         |
| 33      | 1      | F000-5511-00 | Bearing, Flange              |          |    |         |
| 34      | 1      | F000-5508-00 | Seal, Oil                    |          |    |         |
| 35      | 1      | F000-1425-00 | Rondelle                     |          |    |         |
| 36      | 1      | F000-6358-00 | Assy, Gear, Comb., 12T & 30T |          |    |         |
| 37      | 1      | F000-3967-00 | Shaft, Idler                 |          |    |         |
| 38      | 1      | F000-7003-00 | Gear, Bevel, 36T             |          |    |         |
| 39      | 1      | F000-3630-00 | Entretoise                   |          |    |         |
| 40      | 1      | F000-3645-00 | Couronne, 9T                 |          |    |         |
| 41      | 1      | F000-5016-00 | Entretoise                   |          |    |         |
| 42      | 1      | F000-5015-00 | Arbre Transmission           |          |    |         |
| 43      | 1      | F000-5364-00 | Gear, Spur, 12T              |          |    |         |
| 44      | 1      | F000-3866-00 | Gear, Spur, 20T              |          |    |         |
| 45      | 1      | F000-5013-00 | Gear, Spur, 23T              |          |    |         |
| 46      | 1      | F000-3719-00 | Gear, Spur, 25T              |          |    |         |
| 47      | 1      | F000-3683-00 | Gear, Spur, 31T              |          |    |         |
| 48      | 1      | F000-3714-00 | Entretoise                   |          |    |         |



# Transmission

| Réf. N° | Q.té : | Code article | Description                 | Articles | De | Jusqu'à |
|---------|--------|--------------|-----------------------------|----------|----|---------|
| 49      | 1      | F000-1145-00 | Rondelle                    |          |    |         |
| 50      | 2      | F000-5130-00 | Rondelle                    |          |    |         |
| 51      | 2      | F000-3184-00 | Rondelle                    |          |    |         |
| 52      | 1      | F000-7070-10 | Axe Roues Gauche            |          |    |         |
| 53      | 2      | F000-5622-00 | Gear, Miter, 12T, Splined   |          |    |         |
| 54      | 2      | F000-5270-00 | Ring, Retaining             |          |    |         |
| 55      | 1      | F000-3839-00 | Gear, Spur, 32T             |          |    |         |
| 56      | 1      | F000-3919-00 | Shaft, Cross                |          |    |         |
| 57      | 2      | F000-5623-00 | Gear, Miter, 12T, Idler     |          |    |         |
| 58      | 1      | F000-7070-20 | Axe Roues Droite            |          |    |         |
| 59      | 1      | F000-4691-00 | Assy, Kit, Shim, .750 Shaft |          |    |         |
| 60      | 1      | F000-5304-R0 | Housing, Lower              |          |    |         |
| 61      | 2      | F000-7109-00 | Puck, Friction              |          |    |         |
| 62      | 1      | F000-5960-00 | Disc, Brake                 |          |    |         |
| 63      | 1      | F000-3758-00 | Entretoise                  |          |    |         |
| 64      | 1      | F000-5554-00 | Frein                       |          |    |         |
| 65      | 2      | F000-3843-00 | Vis sans tête               |          |    |         |
| 66      | 1      | F000-7026-00 | Lever, Actuating            |          |    |         |
| 67      | 1      | F000-3760-00 | Rondelle                    |          |    |         |
| 68      | 1      | F000-5555-00 | Bracket, Anti-Rotation      |          |    |         |
| 69      | 2      | F000-5562-00 | Vis                         |          |    |         |
| 70      | 1      | F000-3847-00 | Ecrou                       |          |    |         |
| 71      | 1      | 119410610/0  | Micro                       |          |    |         |

www.emc-motoculture.com

[www.emc-motoculture.com](http://www.emc-motoculture.com)