

Genuine Spare Parts

www.stiga.com

GARDEN COMBI HST Model Year 2011

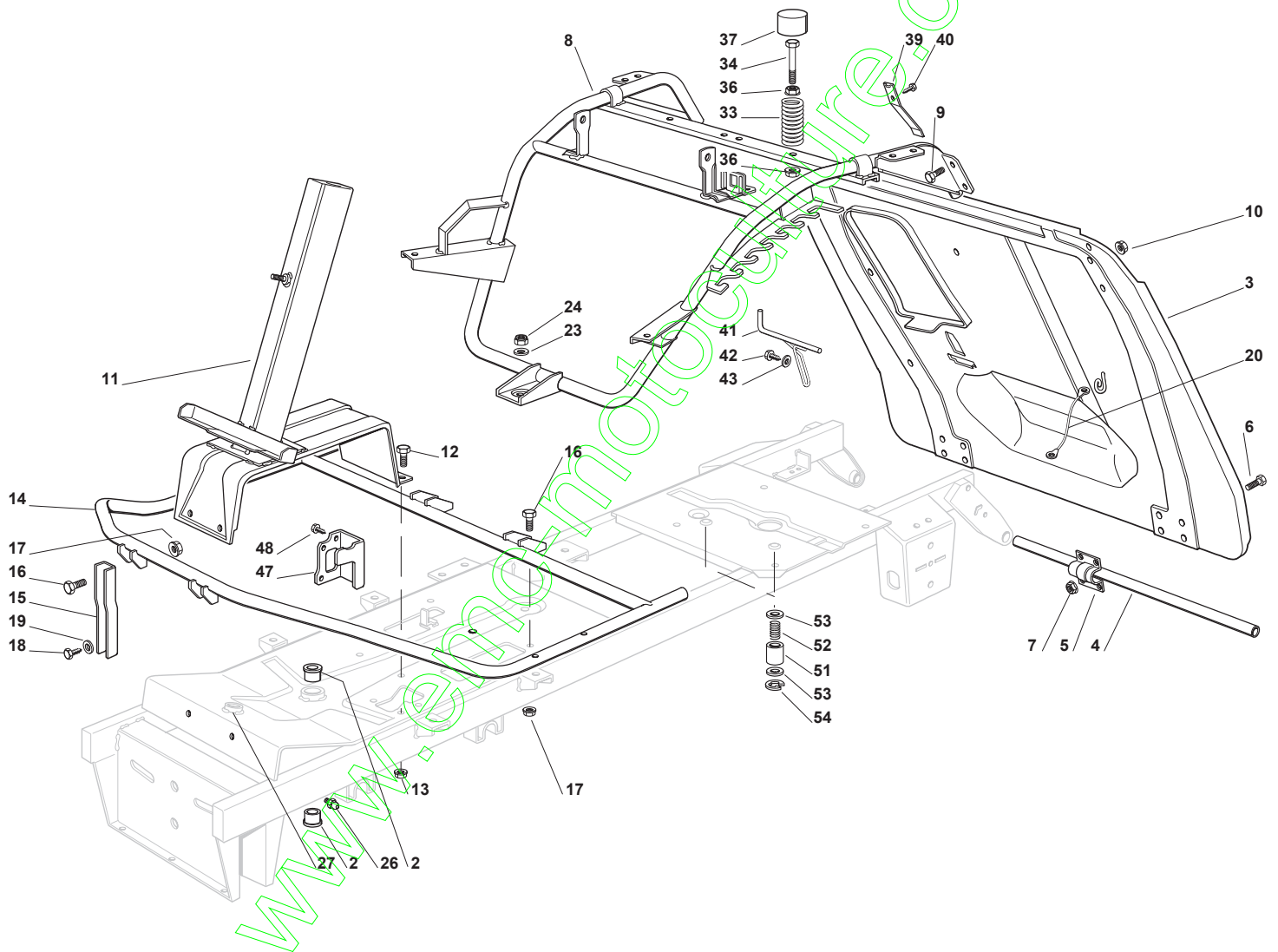
- Use GLOBAL GARDEN PRODUCT Genuine Spare Parts specified in the parts list for repair and/or replacement.
- The contents described in the parts list may change due to improvement.
- The drawings of the spare parts are only indicative and might not represent the part in question exactly.
- The indications "right" - "left" - "front" - "rear" refer to the position of the operator when using the machine.
- When placing orders of parts for repair and/or replacement, make sure that the illustrated parts list is the one applying to the machine's year of manufacture, as shown on the identification plate attached to the machine.

COPYRIGHT by GLOBAL GARDEN PRODUCTS

All rights reserved. No part of this material may be reproduced or transmitted, in any form or by any means, electronic or mechanical, including photocopying, recording or by any information storage and retrieval system, without permission in writing from GLOBAL GARDEN PRODUCTS.



GARDEN COMBI HST

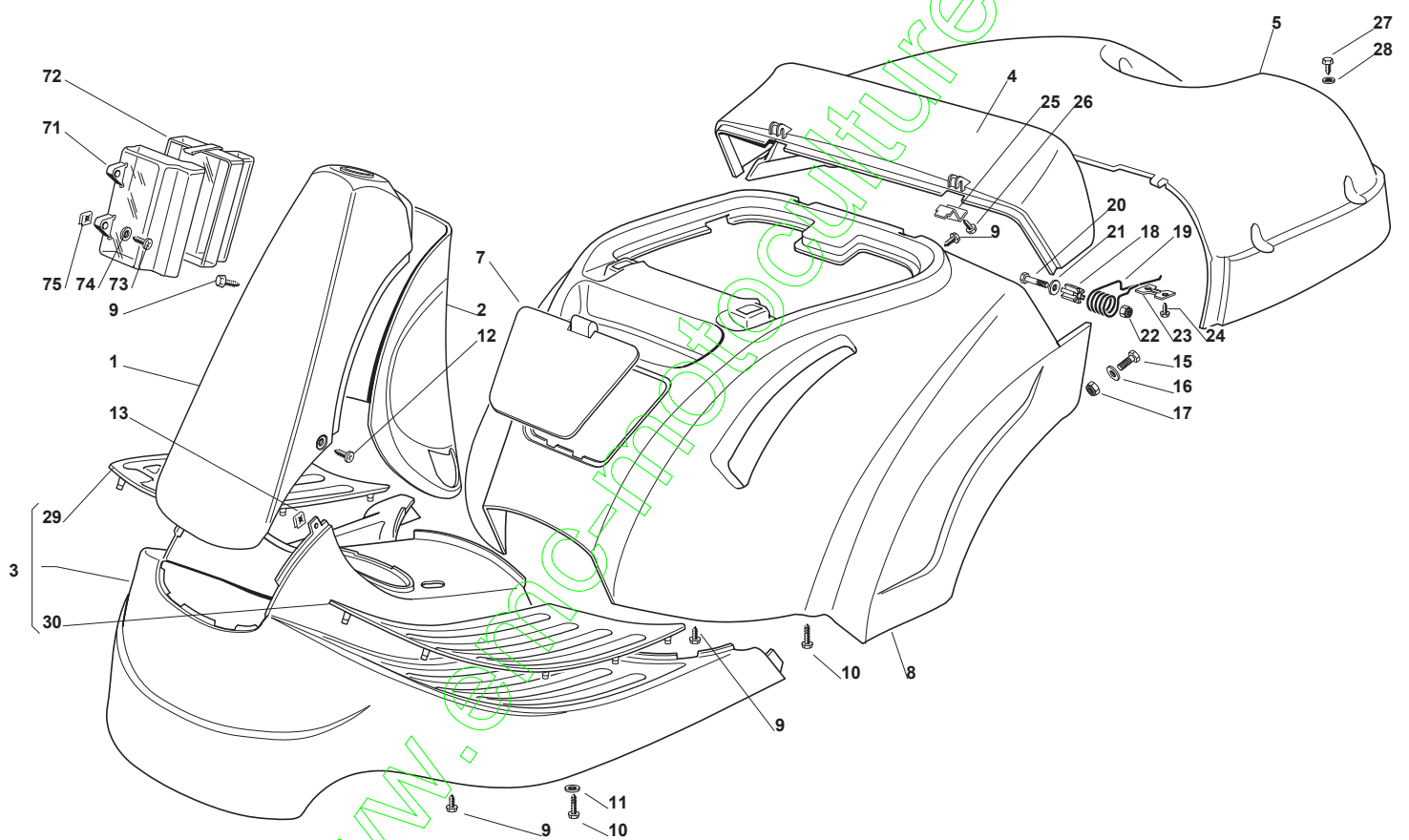




GARDEN COMBI HST

Pos. Fig.	Antal Quantity	Art No Part No	Benämning	Description	Anmärkning Notes
2	2	25034002/1	Bussning	Brass	
3	1	84545057/3	Tavla	Plate	
4	1	27037000/1	Sprint	Pin	
5	2	25547012/1	Tavla	Plate	
6	8	112791200/1	Skruv	Screw	
7	8	12292102/0	Mutter	Nut	
8	1	84801127/0	Chassi	Chassis	
9	4	12792611/0	Skruv	Screw	
10	4	12293201/0	Mutter	Nut	
11	1	84783027/0	Support	Support	
12	4	12792611/0	Skruv	Screw	
13	4	12293201/0	Mutter	Nut	
14	1	384801107/2	Stöd	Fottboard Support	
15	2	27787025/0	Stöd	Support	
16	4	12792611/0	Skruv	Screw	
17	4	12293201/0	Mutter	Nut	
18	2	12734995/0	Skruv	Screw	
19	2	12521331/0	Bricka	Washer	
20	1	84040300/0	Cord	Cord	
23	1	12523060/0	Bricka	Washer	
24	1	12155000/0	Mutter	Nut	
26	1	12379511/0	Smörjnippl	Grease Dispenser	
27	1	25034001/0	Bussning	Bush	
33	2	27430575/0	Fjäder	Spring	
34	2	27943050/0	Skruv	Screw	
36	4	12293201/0	Mutter	Nut	
37	2	25122000/2	Styrning	Hood	
39	1	27430554/0	Fjäder	Spring	
40	1	12735110/0	Skruv	Screw	
41	1	27294001/0	Guide	Guide	
42	1	12735120/0	Skruv	Screw	
43	1	12523040/0	Bricka	Washer	
47	1	27772095/0	Klämma	Support	
48	2	12735106/0	Skruv	Screw	
51	2	27047012/0	Bussning	Bush	
52	2	27430577/0	Fjäder	Spring	
53	4	25670008/1	Bricka	Washer	
54	2	12000955/0	Låsring	Circlip	

GARDEN COMBI HST

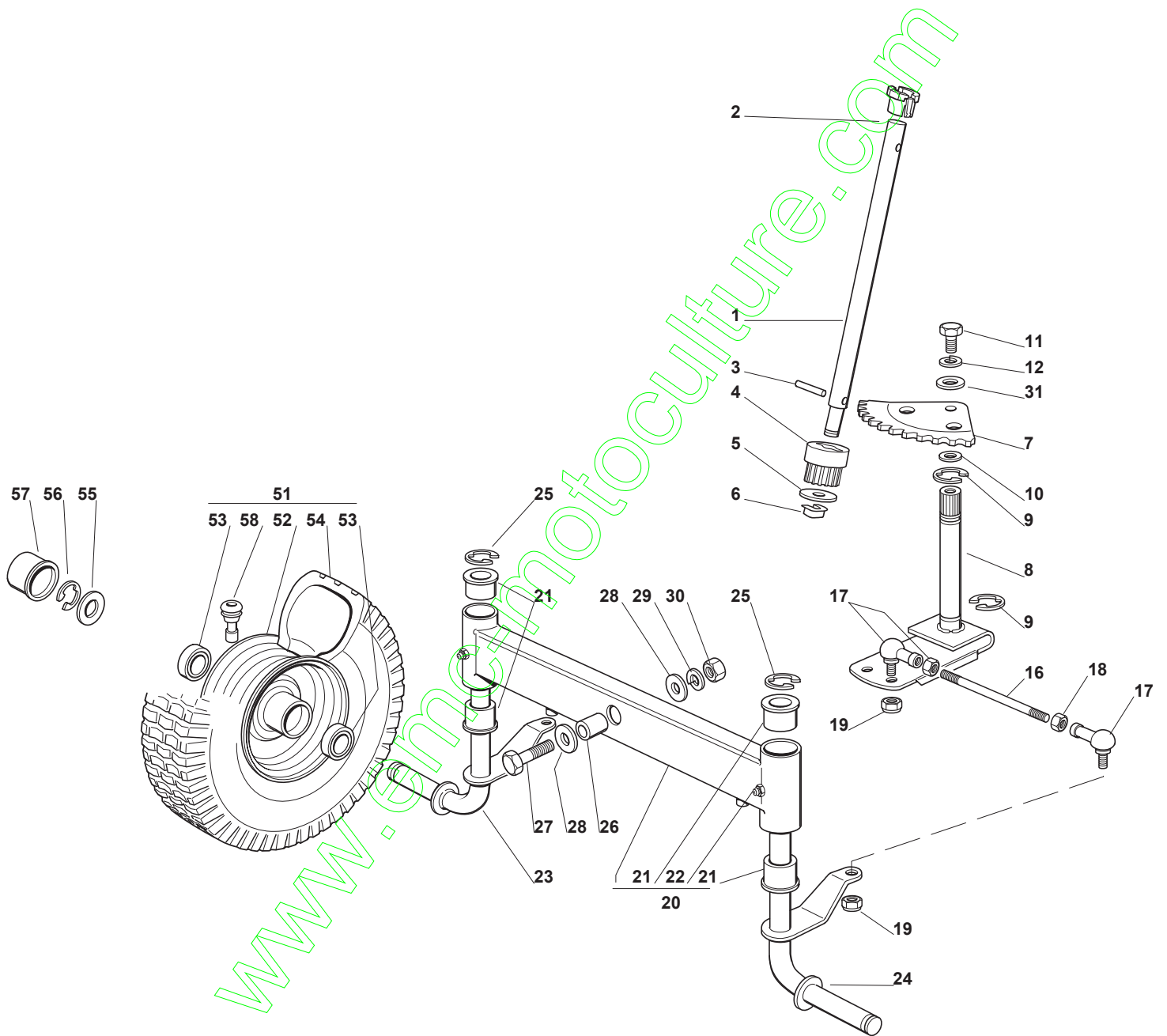




GARDEN COMBI HST

Pos. Fig.	Antal Quantity	Art No Part No	Benämning	Description	Anmärkning Notes
1	1	84598086/0	Frontkåpa	Front Cover Grey	
2	1	27600117/0	Skydd	Rear Cover Yellow	
3	1	84110131/0	Fotsteg täcka	Footboard Cover Yellow	
4	1	27110360/0	Kåpa	Grass-Catcher Cover, Fixed Yellow	
5	1	27110361/0	Kåpa	Grass-Catcher Cover, Mobile Yellow	
7	1	27109516/0	Front Cover Yellow	Front Cover Yellow	
8	1	384110169/0	Wheels Cover (Hydro) White	Wheels Cover (Hydro) White	
8	1	84110107/3	Wheels Cover Red	Wheels Cover Red	
8	1	84110109/2	Wheels Cover Green	Wheels Cover Green	
8	1	84110111/2	Wheels Cover Blue	Wheels Cover Blue	
8	1	84110129/2	Wheels Cover Orange	Wheels Cover Orange	
8	1	84110132/1	Wheels Cover Yellow	Wheels Cover Yellow	
8	1	84110136/1	Wheels Cover Yellow	Wheels Cover Yellow	
8	1	84110157/0	Wheels Cover Grey	Wheels Cover Grey	
9	10	12735402/0	Skruv	Screw	
10	8	12735410/0	Skruv	Screw	
11	4	12523040/0	Bricka	Washer	
12	2	12727790/0	Skruv	Screw	
13	2	12437503/0	Trombocyt	Plate	
15	2	112791200/1	Skruv	Screw	
16	2	12523040/0	Bricka	Washer	
17	2	12154510/0	Mutter	Nut	
18	2	27047003/0	Bussning	Bush	
19	2	27430551/1	Fjäder	Spring	
20	2	12691200/0	Skruv	Right Screw	
21	2	12523070/0	Bricka	Washer	
22	2	12155000/0	Mutter	Nut	
23	2	27546001/0	Trombocyt	Plate	
24	4	12735402/0	Skruv	Screw	
25	2	27546003/0	Trombocyt	Plate	
26	2	12735402/0	Skruv	Screw	
27	4	12729601/1	Skruv	Screw	
28	4	12521331/0	Bricka	Washer	
29	1	27110304/0	Fotsteg-hö täcka	Right Footboard Cover	
30	1	27110305/0	Fotsteg-Vä täcka	Left Footboard Cover	
71	1	25600020/0	Lock	Upper Guard	
72	1	25600021/1	Skydd	Lower Guard	
73	2	12728460/0	Skruv	Screw	
74	2	12521320/0	Bricka	Washer	
75	2	12437502/0	Trombocyt	Plate	

GARDEN COMBI HST

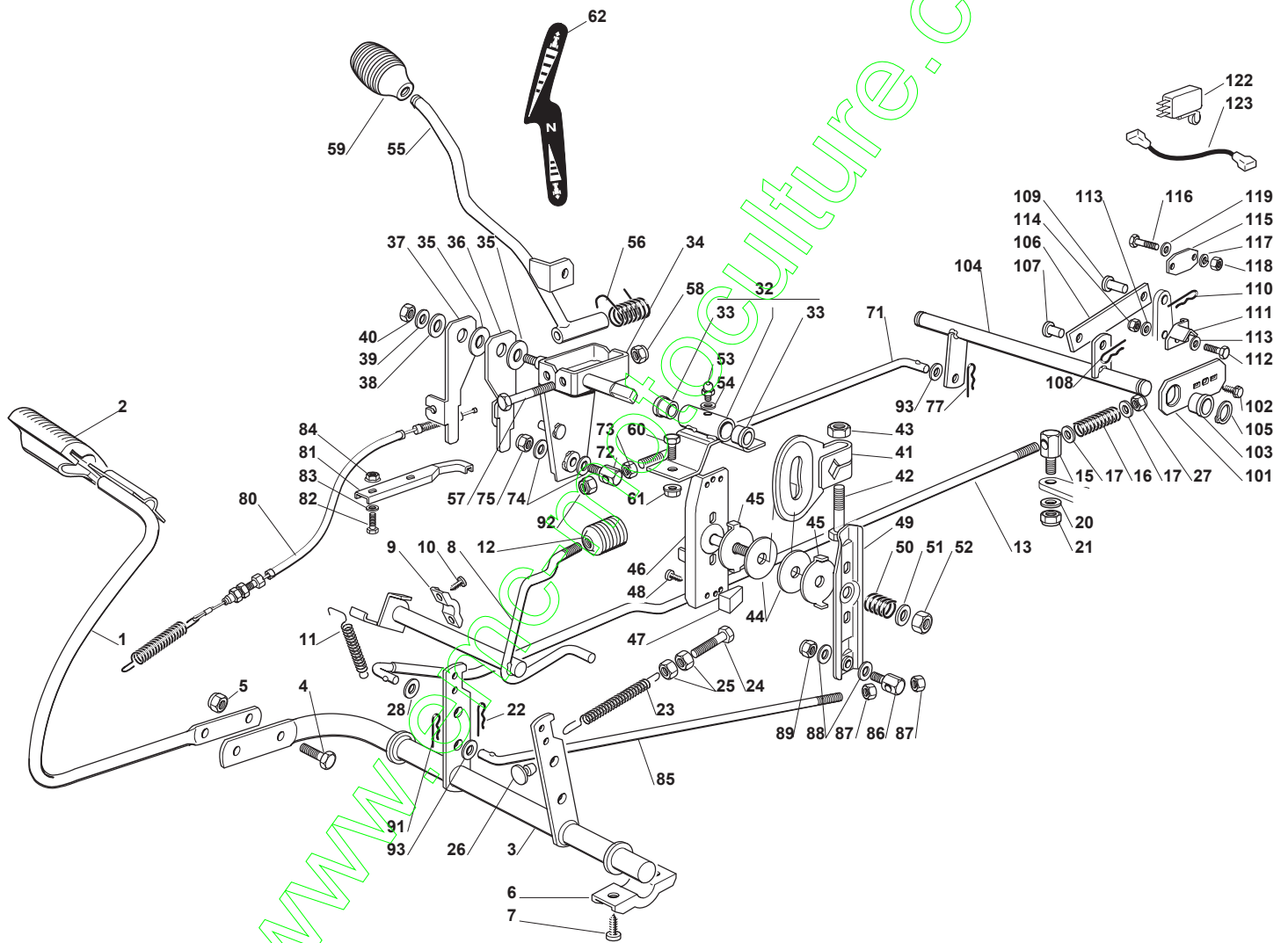




GARDEN COMBI HST

Pos. Fig.	Antal Quantity	Art No Part No	Benämning	Description	Anmärkning Notes
1	1	27520050/0	Steering Column	Steering Column	
2	1	25038004/0	Kompass	Bush	
3	1	12622650/0	Stift	Pin	
4	1	27570050/0	Drev	Pinion	
5	1	12521370/0	Bricka	Washer	
6	1	12436030/0	Trombocyt	Plate	
7	1	84735551/0	Sector	Steering Shaft	
8	1	84000501/0	Axel	Shaft	
9	2	12001000/0	Låsring	Snap Ring	
10	2	12520031/0	Bricka	Washer	
11	1	12793102/0	Skruv	Screw	
12	1	12583500/0	Bricka	Grower	
16	2	27840050/0	Gasreglagelänk	Tie Rod	
17	4	122746609/0	Mutter	Joint	
18	2	112295201/0	Mutter	Nut	
19	4	12156602/0	Mutter	Nut	
20	1	84034057/0	Equalizer With Bush (With 36 + 37)	Equalizer With Bush And Lubricator	
21	4	25034002/1	Bussning	Brass	
22	2	12379511/0	Smörjnippel	Grease Dispenser	
23	1	84230401/0	Right Stub Axle	Right Stub Axle	
24	1	84230403/0	Left Stub Axle	Left Stub Axle	
25	2	12001000/0	Låsring	Snap Ring	
26	1	25160016/0	Distans	Spacer	
27	1	12692695/0	Skruv	Screw	
28	2	12523100/0	Bricka	Washer	
29	1	12587100/0	Bricka	Washer	
30	1	12295300/0	Mutter	Nut	
31	1	12521350/0	Bricka	Washer	
51	2	84680052/1	Framhjul Kpl	Front Wheel	
51	2	84680055/1	Framhjul Kpl	Front Wheel	
52	2	84044000/0	Rimm	Rimm	
53	4	25122200/2	Kullager	Bearing	
54	2	27590050/0	Dack	Shoe	
54	2	27590052/0	Dack	Shoe	
55	2	25670005/1	Bricka	Washer	
56	2	12001000/0	Låsring	Snap Ring	
57	2	22110230/0	Huvstöd	Cap	
58	2	25950000/0	Ventil	Valve	

GARDEN COMBI HST

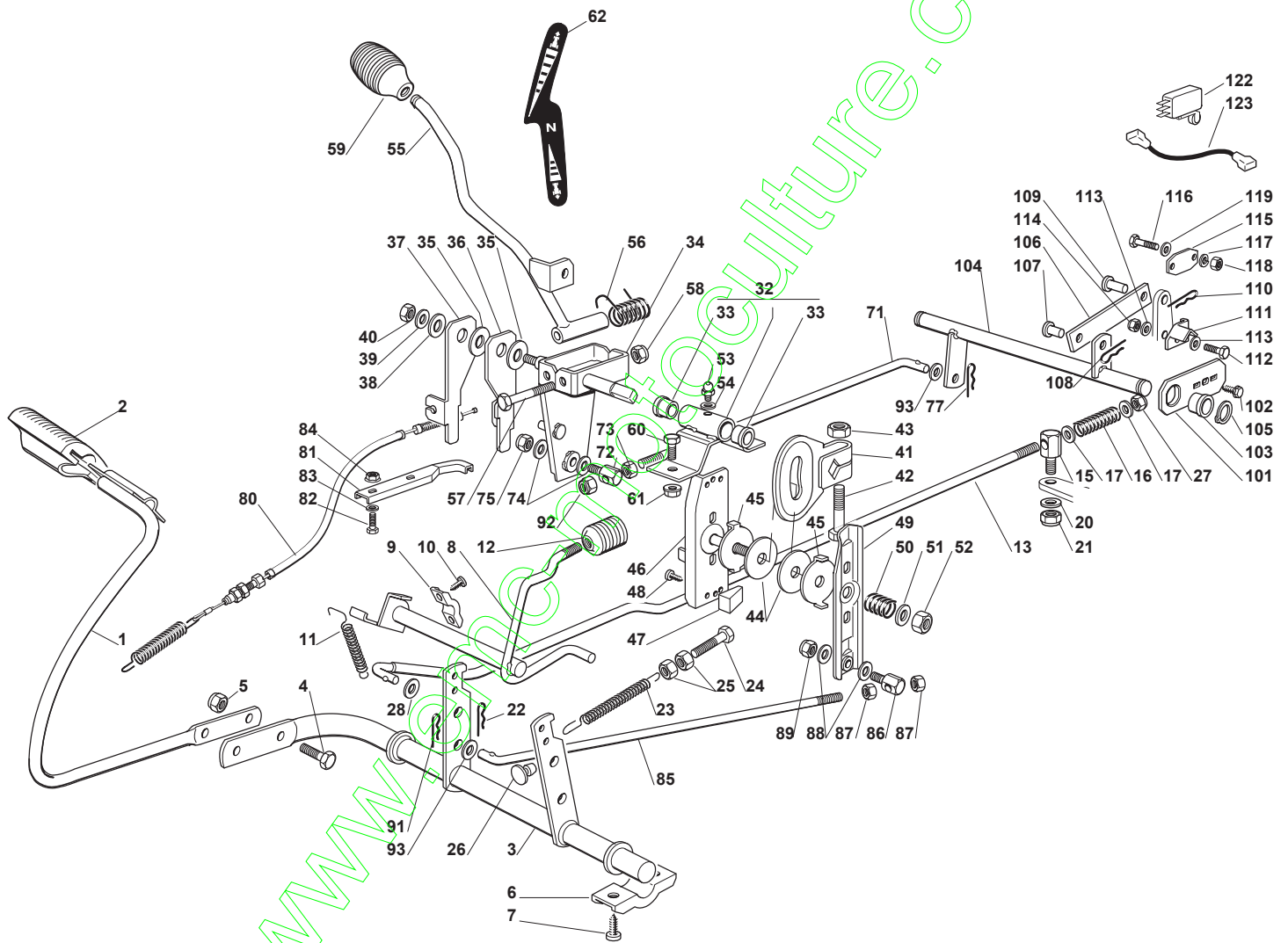




GARDEN COMBI HST

Pos. Fig.	Antal Quantity	Art No Part No	Benämning	Description	Anmärkning Notes
1	1	84503001/0	Pedal	Pedal	
2	1	25110267/0	Clamp Cover	Clamp Cover	
3	1	84001015/1	Axel	Axle	
4	2	12793301/0	Skruv	Screw	
5	2	12155000/0	Mutter	Nut	
6	2	27546015/1	Trombocyt	Plate	
7	4	12731350/0	Skruv	Screw	
8	1	84001011/2	Axel	Axle	
9	2	25547049/0	Trombocyt	Plate	
10	4	12731601/0	Skruv	Screw	
11	1	27430552/0	Fjäder	Spring	
12	1	27395050/1	Knopp	Knob	
13	1	27034070/0	Länk	Rod	
15	1	25510067/1	Stift	Pin	
16	1	25430236/0	Fjäder	Spring	
17	2	12521360/0	Bricka	Washer	
20	1	12523050/0	Bricka	Washer	
21	1	12155000/0	Mutter	Nut	
22	1	24487997/0	Bricka	Washer	
23	1	125430210/1	Fjäder	Spring	
24	1	22943005/0	Skruv	Screw	
25	2	12293200/0	Mutter	Nut	
26	1	27275000/0	Hylsa	Grommet	
27	1	12156602/0	Mutter	Nut	
28	1	25670011/0	Bricka	Washer	
32	1	84773568/0	Fästbygel	Bracket With Bussh	
33	2	27045080/0	Bussning	Bushing	
34	1	84773561/0	Spak	Lever	
35	2	22672151/0	Bricka	Washer	
36	1	27772101/0	Fäste	Clamp	
37	1	27772103/0	Fäste	Clamp	
38	1	22672152/0	Bricka	Washer	
39	1	12523060/0	Bricka	Washer	
40	1	12155010/0	Mutter	Nut	
41	1	27734055/0	Sector	Sector	
42	1	12794900/0	Skruv	Screw	
43	1	12155020/0	Mutter	Nut	
44	2	27158000/0	Platta	Plate	
45	2	27670053/0	Bricka	Washer	
46	1	84773565/0	Fäste	Clamp	
47	2	27063020/0	Fäste	Cam	
48	2	12735110/0	Skruv	Screw	
49	1	84773563/0	Spak	Lever	
50	1	27430560/0	Fjäder	Spring	
51	1	25670008/1	Bricka	Washer	
52	1	12155020/0	Mutter	Nut	
53	1	12379511/0	Smörnippel	Grease Dispenser	
54	1	12521330/0	Bricka	Washer	
55	1	84317051/2	Arm	Gearshift	
56	1	25430226/0	Fjäder	Spring	
57	1	12692050/0	Skruv	Screw	
58	1	12155000/0	Mutter	Nut	
59	1	82394508/0	Knopp	Knob	
60	2	12793102/0	Skruv	Screw	
61	2	12293201/0	Mutter	Nut	
62	1	14357702/0	Dekal	Label	
71	1	27034071/0	Länk	Rod	
72	1	25510040/1	Stift	Pin	
73	1	12293200/0	Mutter	Nut	
74	2	25670011/0	Bricka	Washer	
75	1	12155010/0	Mutter	Nut	
77	1	24487997/0	Bricka	Washer	
80	1	84207101/1	Kabel	Wire	
81	1	27772105/0	Fäste	Clamp	
82	2	12791400/0	Skruv	Screw	
83	2	12521330/0	Bricka	Washer	

GARDEN COMBI HST

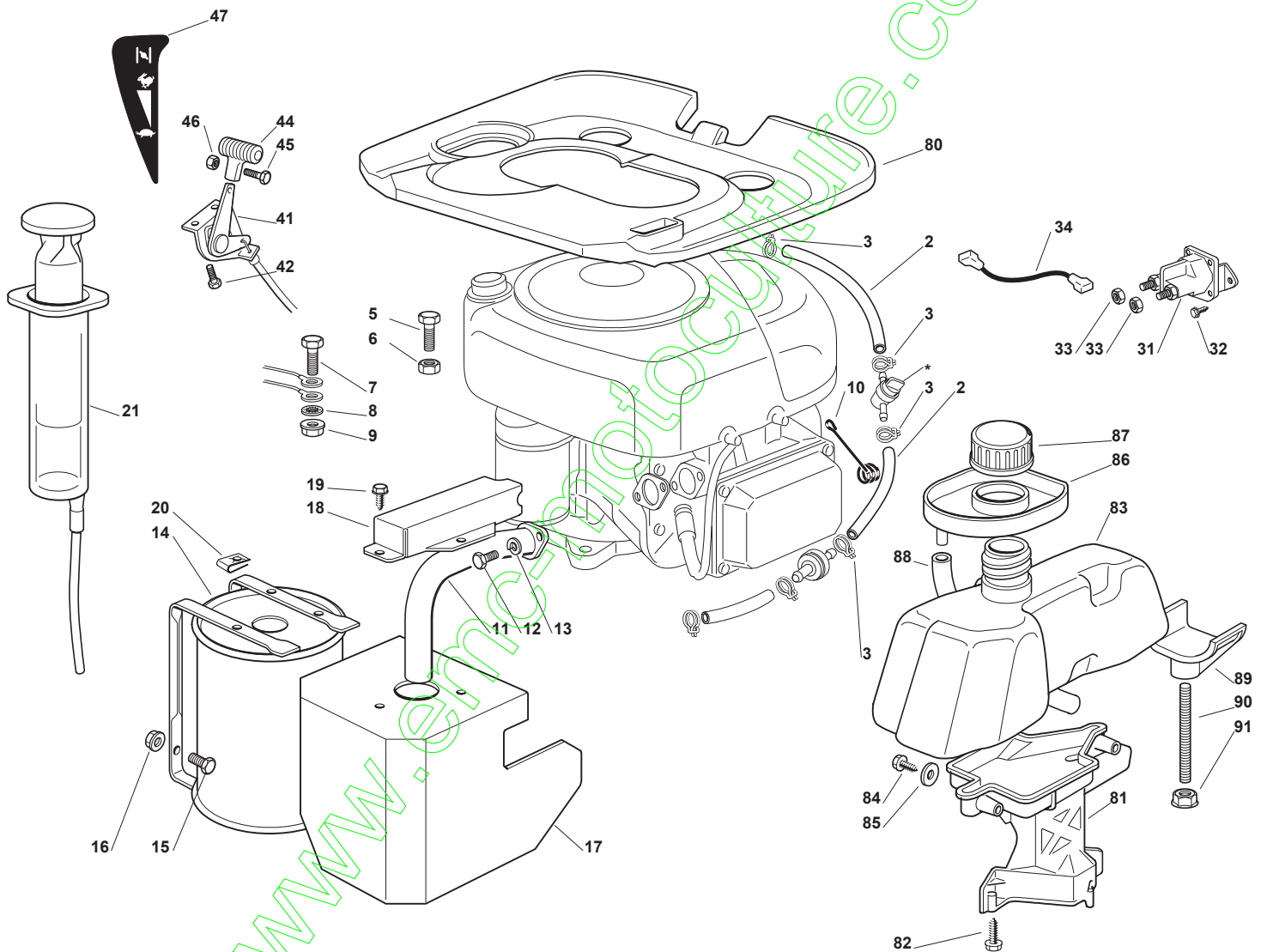




GARDEN COMBI HST

Pos. Fig.	Antal Quantity	Art No Part No	Benämning	Description	Anmärkning Notes
84	2	12292102/0	Mutter	Nut	
85	1	27034074/0	Länk	Rod	
86	1	25510040/1	Stift	Pin	
87	2	12293200/0	Mutter	Nut	
88	2	25670011/0	Bricka	Washer	
89	1	12155010/0	Mutter	Nut	
91	1	24487997/0	Bricka	Washer	
92	1	12155000/0	Mutter	Nut	
93	2	25670011/0	Bricka	Washer	
101	2	27546047/0	Trombocyt	Plate	
102	2	12735121/0	Skruv	Screw	
103	2	25040614/0	Kompass	Bush	
104	1	84001023/0	Axel	Axle	
105	2	12608900/0	Seegerring	Seeger	
106	1	27034073/0	Länk	Rod	
107	1	27510111/0	Stift	Pin	
108	1	24487997/0	Bricka	Washer	
109	1	27510110/0	Stift	Pin	
110	1	24487997/0	Bricka	Washer	
111	1	27063022/0	Fäste	Cam	
112	1	12791400/0	Skruv	Screw	
113	2	12521330/0	Bricka	Washer	
114	1	12154510/0	Mutter	Nut	
115	1	27546019/0	Trombocyt	Plate	
116	2	12735602/0	Skruv	Screw	
117	2	12581100/0	Bricka	Grower	
118	2	12290791/0	Mutter	Nut	
119	2	12540020/0	Bricka	Washer	
122	1	19410609/0	Neutral Switch (Hydro)	Neutral Switch (Hydro)	
123	1	25065025/0	Kabel	Cable	

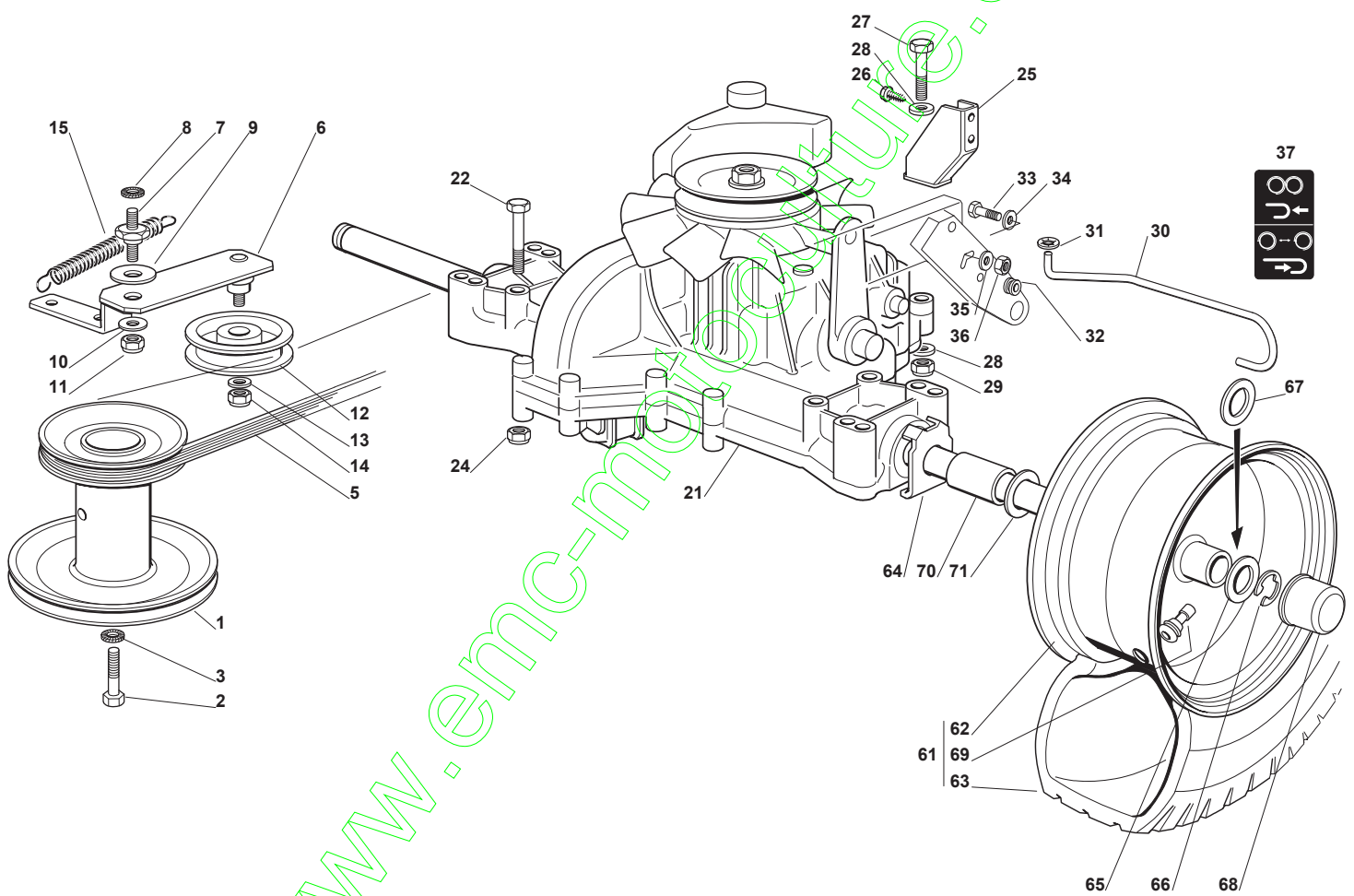
GARDEN COMBI HST





GARDEN COMBI HST

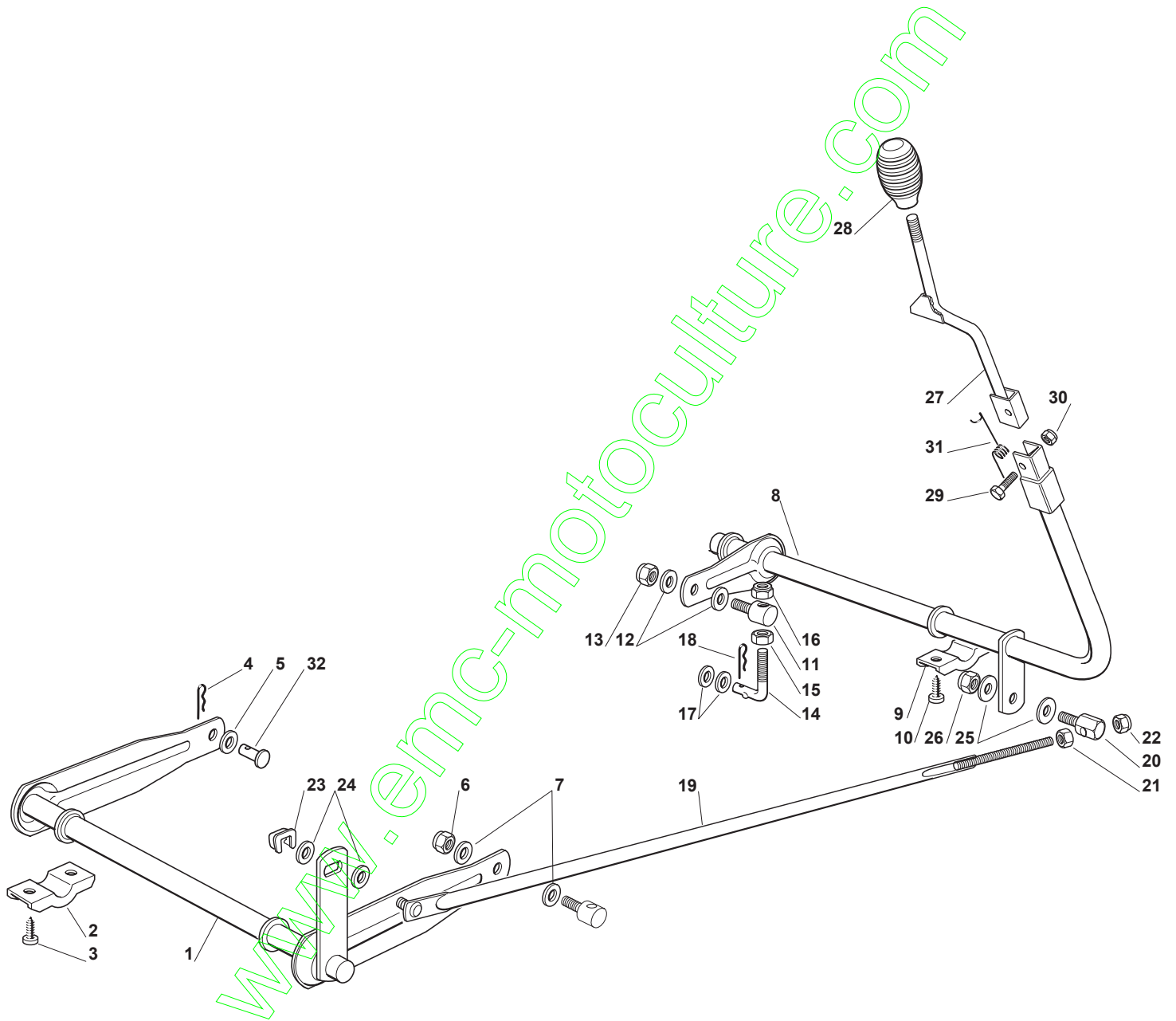
Pos. Fig.	Antal Quantity	Art No Part No	Benämning	Description	Anmärkning Notes
2	2	25869035/1	Kabelhållare	Tube	
3	4	18375051/1	Slangklämma	Fair Led	
5	3	12691100/0	Skruv	Left Screw	
6	3	12154210/0	Mutter	Nut	
7	1	12691115/0	Skruv	Left Screw	
8	1	12540260/0	Bricka	Washer	
9	1	12154210/0	Mutter	Nut	
10	1	25430239/1	Fjäder	Spring	
11	1	18738225/0	Rörförbindning	Exhaust Connection	
12	2	12737450/0	Skruv	Screw	
13	2	12583500/0	Bricka	Grower	
14	1	82750006/1	Ljuddämpare	Muffler	
15	2	12793102/0	Skruv	Screw	
16	2	12154210/0	Mutter	Nut	
17	1	84598081/0	Ljuddämparskydd	Muffler Protection	
18	1	27600137/0	Skydd	Protection	
19	3	12729601/1	Skruv	Screw	
20	3	12437504/0	Trombocyt	Plate	
21	1	18718000/0	Manöverdosa	Syringe	
31	1	18736110/0	Starter Relay	Starter Relay	
32	2	12735110/0	Skruv	Screw	
33	2	12360352/0	Mutter	Nut	
34	1	27065050/0	Kabel	Cable	
41	1	84000250/1	Gasreglage	Accelerator	
42	2	125943012/0	Skruv	Screw	
44	1	25394501/0	Handtag	Handle	
45	1	12726388/0	Stift	Screw	
46	1	12290800/0	Mutter	Nut	
47	1	114357425/1	Dekal	Label	
80	1	27110306/2	Kåpa	Engine Cover	
81	1	27787062/0	Stöd	Support	
82	3	12735410/0	Skruv	Screw	
83	1	27733003/1	Tank	Tank	
84	2	12735410/0	Skruv	Screw	
85	2	12523040/0	Bricka	Washer	
86	1	27600061/2	Skydd	Guard	
87	1	25795000/1	Lock	Cap	
88	1	25869014/1	Rör	Tube	
89	1	27787063/0	Stöd	Support	
90	1	27510118/0	Stift	Pin	
91	2	12293201/0	Mutter	Nut	





GARDEN COMBI HST

Pos. Fig.	Antal Quantity	Art No Part No	Benämning	Description	Anmärkning Notes
1	1	27604005/0	Remskiva	Pulley	
2	1	12737310/0	Skruv	Screw	
3	1	12543000/0	Bricka	Washer	
5	1	35061404/0	Drivrem	Belt	
6	1	84317081/0	Spak	Lever	
7	1	27510096/0	Stift	Pin	
8	1	12540260/0	Bricka	Washer	
9	1	22672151/0	Bricka	Washer	
10	1	25670011/0	Bricka	Washer	
11	1	12155010/0	Mutter	Nut	
12	1	25601554/0	Remskiva	Pulley	
13	1	12523060/0	Bricka	Washer	
14	1	12155000/0	Mutter	Nut	
15	1	22446402/0	Fjäder	Spring	
21	1	18400965/0	Rear Axle Tecumseh-Peerless Lth 2000 - 004C	Rear Axle (Tuff-Torq K46T)	
22	4	12691800/0	Skruv	Screw	
24	4	12154210/0	Mutter	Nut	
25	1	84783019/0	Stöd	Support	
26	1	12735121/0	Skruv	Screw	
27	1	12691200/0	Skruv	Right Screw	
28	1	12521350/0	Bricka	Washer	
29	1	12155000/0	Mutter	Nut	
30	1	27034069/0	Bromssporre	Lever	
31	1	12000930/0	Avgasrör	Crown Fastener	
32	1	18564512/0	Hylsa	Fair Lead	
33	1	12793301/0	Skruv	Screw	
34	1	12523060/0	Bricka	Washer	
35	1	12521350/0	Bricka	Washer	
36	1	12155000/0	Mutter	Nut	
37	1	14358513/0	Dekal	Label	
61	2	84680053/1	Bakrehjul	Rear Wheel Deli Tire	
62	2	84044001/0	Rimm	Rimm	
63	2	27590053/0	Dack	Shoe Deli Tire	
64	2	325670025/0	Bricka	Washer	
65	2	25670005/1	Bricka	Washer	
66	2	12001010/0	Låsring	Benzing	
67	4	25670006/0	Bricka	Washer	
68	2	22110230/0	Huvstöd	Cap	
69	2	25950000/0	Ventil	Valve	
70	2	25160031/0	Distans	Spacer	
71	2	25670005/1	Bricka	Washer	

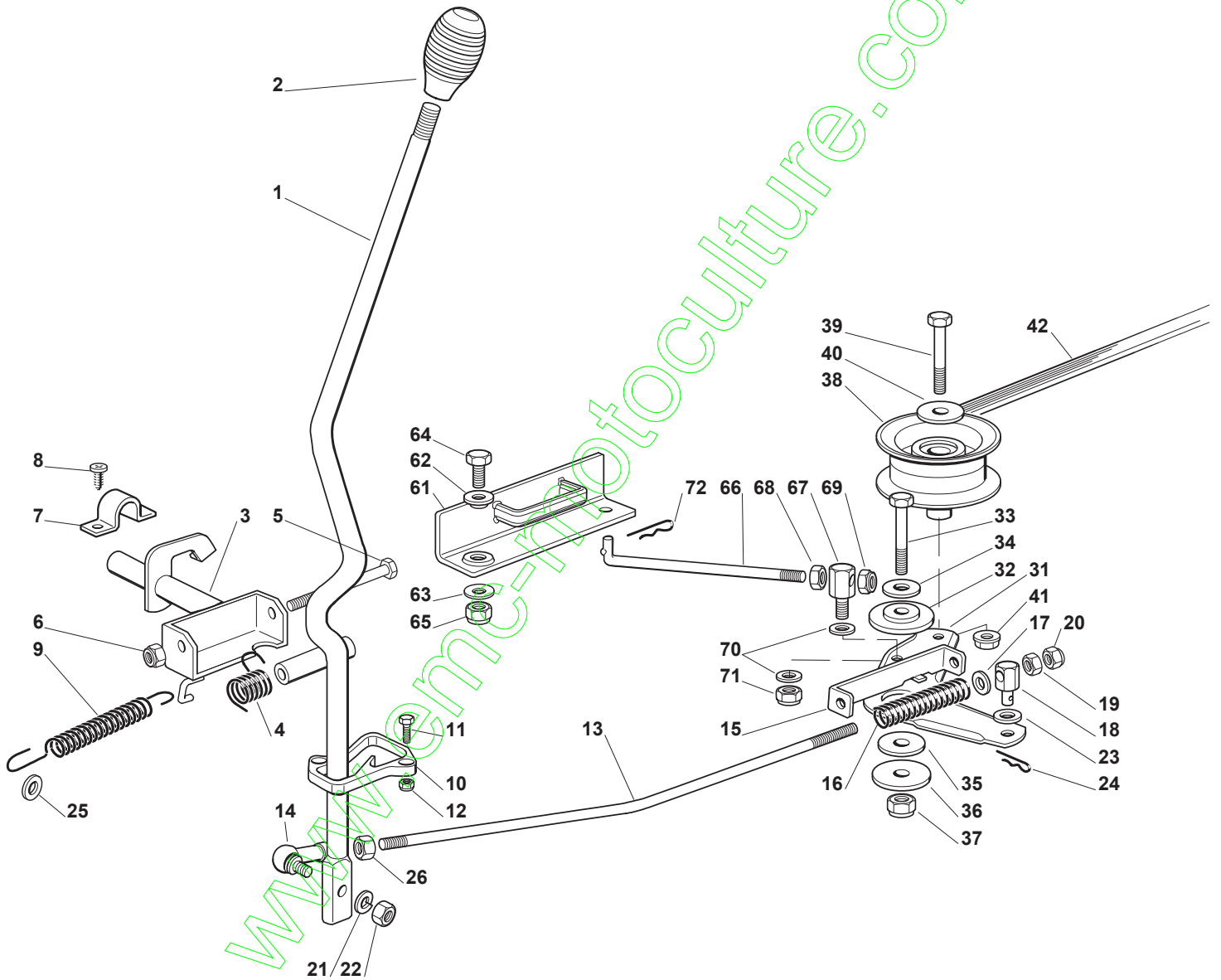




GARDEN COMBI HST

Pos. Fig.	Antal Quantity	Art No Part No	Benämning	Description	Anmärkning Notes
1	1	84001025/0	Axel	Axle	
2	2	27546015/1	Trombocyt	Plate	
3	4	12731350/0	Skruv	Screw	
4	1	24487997/0	Bricka	Washer	
5	1	25670008/1	Bricka	Washer	
6	1	12156602/0	Mutter	Nut	
7	2	25670008/1	Bricka	Washer	
8	1	84001005/2	Axel	Axle	
9	2	27546015/1	Trombocyt	Plate	
10	4	12731350/0	Skruv	Screw	
11	1	125510007/2	Stift	Pin	
12	2	25670008/1	Bricka	Washer	
13	1	12156602/0	Mutter	Nut	
14	1	25840003/2	Stång	Tie Rod	
15	1	12295200/0	Mutter	Nut	
16	1	12156602/0	Mutter	Nut	
17	2	22672150/0	Bricka	Washer	
18	1	24487997/0	Bricka	Washer	
19	1	84002051/0	Vevstake	Rod	
20	1	25510040/1	Stift	Pin	
21	1	12293200/0	Mutter	Nut	
22	1	12155000/0	Mutter	Nut	
23	1	12436050/0	Trombocyt	Plate	
24	2	25670011/0	Bricka	Washer	
25	2	25670011/0	Bricka	Washer	
26	1	12155000/0	Mutter	Nut	
27	1	84317065/1	Spak	Lever	
28	1	25394510/0	Knopp	Knob	
29	1	12674700/0	Skruv	Screw	
30	1	12154510/0	Mutter	Nut	
31	1	27430555/0	Fjäder	Spring	
32	1	27510114/0	Stift	Pin	

GARDEN COMBI HST

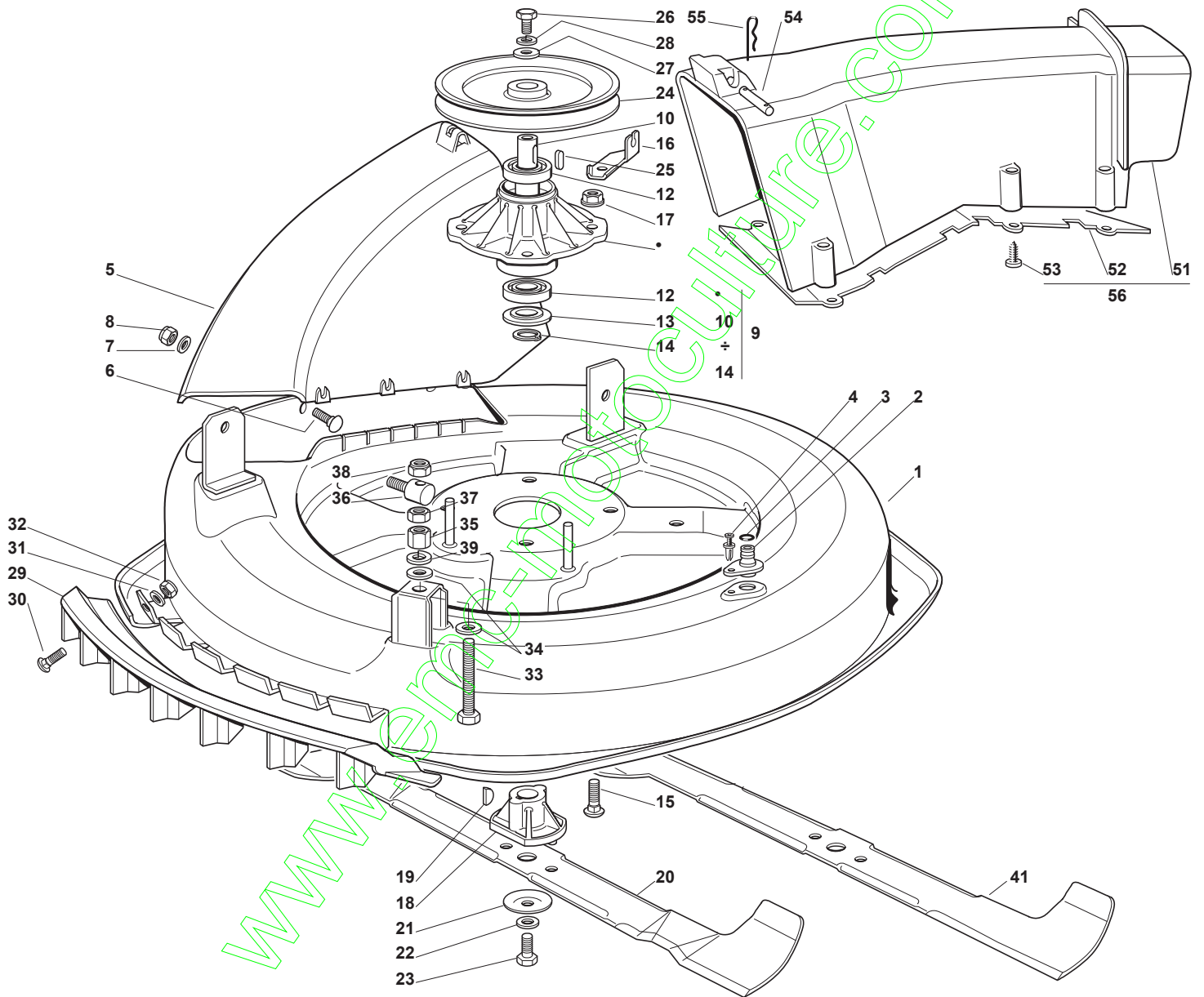




GARDEN COMBI HST

Pos. Fig.	Antal Quantity	Art No Part No	Benämning	Description	Anmärkning Notes
1	1	84317069/0	Spak	Lever	
2	1	25394510/0	Knopp	Knob	
3	1	84001007/0	Axel	Axle	
4	1	25430226/0	Fjäder	Spring	
5	1	12692050/0	Skruv	Screw	
6	1	12155000/0	Mutter	Nut	
7	2	25547049/0	Trombocyt	Plate	
8	4	12731601/0	Skruv	Screw	
9	1	27430571/0	Fjäder	Spring	
10	1	27487000/0	Glidblock	Shoe	
11	2	112791200/1	Skruv	Screw	
12	2	12154510/0	Mutter	Nut	
13	1	27034078/0	Länk	Rod	
14	1	122746610/0	Mutter	Joint	
15	1	27772143/0	Fäste	Clamp	
16	1	27430576/0	Fjäder	Spring	
17	1	12521350/0	Bricka	Washer	
18	1	27510113/0	Stift	Pin	
19	1	12293200/0	Mutter	Nut	
20	1	12155000/0	Mutter	Nut	
21	1	12583500/0	Bricka	Grower	
22	1	12293200/0	Mutter	Nut	
23	1	25670008/1	Bricka	Washer	
24	1	24487997/0	Bricka	Washer	
25	1	25670006/0	Bricka	Washer	
26	1	12293200/0	Mutter	Nut	
31	1	84317083/0	Spak	Lever	
32	1	27047000/0	Bussning	Bush	
33	1	12691200/0	Skruv	Right Screw	
34	1	12523060/0	Bricka	Washer	
35	1	22672152/0	Bricka	Washer	
36	1	12523070/0	Bricka	Washer	
37	1	12155000/0	Mutter	Nut	
38	1	27604008/0	Remskiva	Pulley	
39	1	12691600/0	Skruv	Screw	
40	1	12523060/0	Bricka	Washer	
41	1	12293201/0	Mutter	Nut	
42	1	35061423/0	Drivrem	Belt	
61	1	84220501/0	Bromsarm	Brake	
62	1	22041980/0	Distans	Spacer	
63	1	22672152/0	Bricka	Washer	
64	1	12793102/0	Skruv	Screw	
65	1	12155010/0	Mutter	Nut	
66	1	27034077/0	Länk	Rod	
67	1	25510040/1	Stift	Pin	
68	1	12293200/0	Mutter	Nut	
69	1	12155000/0	Mutter	Nut	
70	2	25670011/0	Bricka	Washer	
71	1	12155000/0	Mutter	Nut	
72	1	24487997/0	Bricka	Washer	

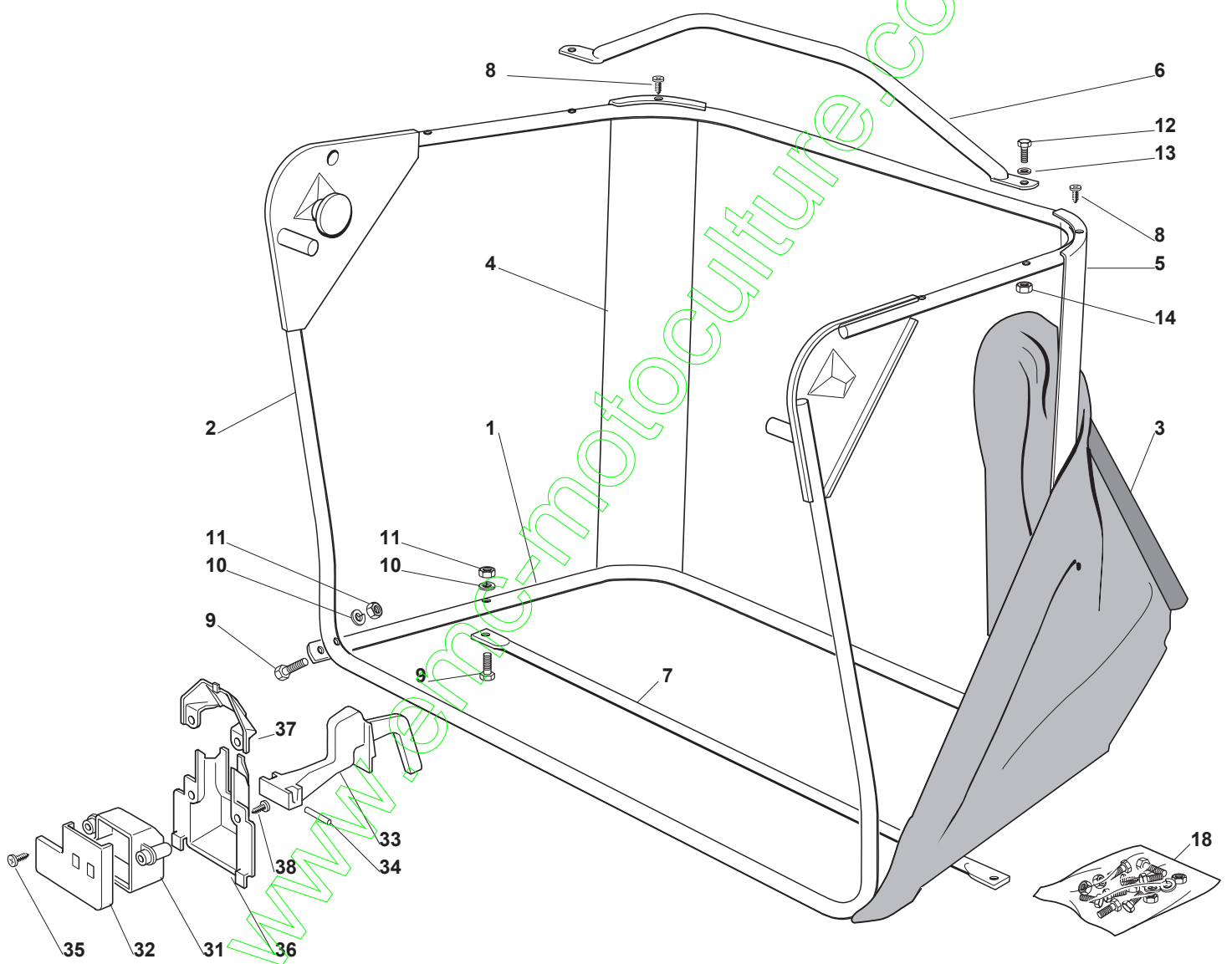
GARDEN COMBI HST





GARDEN COMBI HST

Pos. Fig.	Antal Quantity	Art No Part No	Benämning	Description	Anmärkning Notes
1	1	384564075/1	Platta	Plate, Black	
2	1	25033060/0	Water Hose Connection	Water Hose Connection	
3	1	19035000/0	O-ring	Or Ring	
4	1	12500030/0	Rivet	Rivet	
5	1	27045000/1	Inmatningshus	Conveyor Inlet	
6	6	12815210/0	Skruv	Screw	
7	6	12523040/0	Bricka	Washer	
8	6	12154510/0	Mutter	Nut	
9	1	84207250/0	Fläns	Flange Ass.Y (10÷14)	
10	1	27023000/0	Vevaxel	Shaft	
12	2	119216047/0	Kullager	Bearing	
13	1	25160501/0	Dammskydd	Dust Cover	
14	1	12609260/0	Seeger	Seeger	
15	4	12818700/0	Skruv	Screw	
17	4	12154210/0	Mutter	Nut	
18	1	25463200/0	Knivfäste	Blade Hub	
19	1	12139100/0	Kil	Feather, Crankshaft Ø 22.2	
20	1	84109503/0	Kniv	Blade Mulching, Winged	
21	1	22160400/0	Dammskydd	Dust Cover	
22	1	12523080/0	Bricka	Washer	
23	1	12735694/0	Skruv	Screw	
24	1	27604009/0	Remskiva	Pulley	
25	1	12139480/0	Kil	Feather	
26	1	12793102/0	Skruv	Screw	
27	1	25670007/0	Bricka	Washer	
28	1	12583500/0	Bricka	Grower	
29	1	27488000/0	Air Intake Grill	Air Intake Grill	
30	4	12815200/0	Skruv	Screw	
31	4	12521340/0	Bricka	Washer	
32	4	12154510/0	Mutter	Nut	
33	1	12794970/0	Skruv	Screw	
34	2	12523080/0	Bricka	Washer	
35	1	12154250/0	Mutter	Nut	
36	1	125510007/2	Stift	Pin	
37	1	12295200/0	Mutter	Nut	
38	1	12156602/0	Mutter	Nut	
39	1	12585100/0	Grower	Grower	
41	1	84109502/0	Kniv	Blade, Winged	
51	1	27107501/0	Inmatningstratt	Conveyor	
52	1	27140051/1	Deflektor	Deflector	
53	8	12735402/0	Skruv	Screw	
54	1	27510097/1	Stift	Pin	
55	2	24487997/0	Bricka	Washer	
56	1	84108051/0	Inmatningstratt	Conveyor Ass.Y (51, 52, 53)	



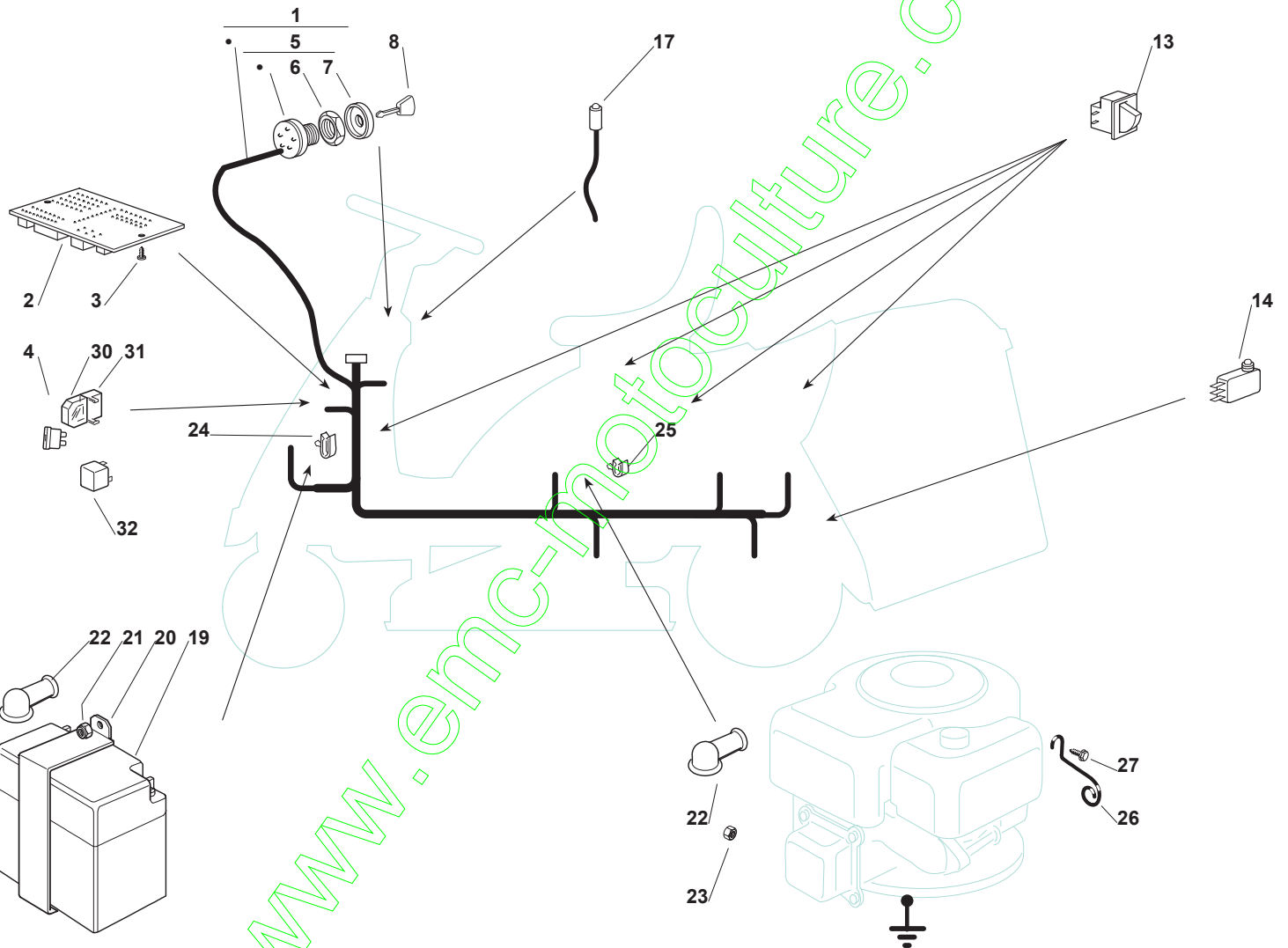


GARDEN COMBI HST

Pos. Fig.	Antal Quantity	Art No Part No	Benämning	Description	Anmärkning Notes
1	1	84801103/0	Chassi	Lower Frame	
2	1	84801105/1	Chassi	Upper Frame	
3	1	184106069/0	Uppsamlare	Grasscatcher	
4	1	27010205/0	Right Angular Support	Right Angular Support	
5	1	27010207/0	Left Angular Support	Left Angular Support	
6	1	84869051/0	Rör	Rod	
7	1	84650100/0	Reduktion	Stiffening	
8	4	12729601/1	Skruv	Screw	
9	4	12792099/0	Skruv	Screw	
10	4	12582101/0	Grower	Grower	
11	4	12292100/0	Mutter	Nut	
12	2	12674701/0	Skruv	Screw	
13	2	12521331/0	Bricka	Washer	
14	2	12154510/0	Mutter	Nut	
18	1	84180180/0	Skruvsats	Screws Outfit (8÷14)	
31	1	25600041/0	Skydd	Micro Protection	
32	1	25600042/0	Överbelastningsskydd	Protection Cover	
33	1	25318124/0	Arm	Lever	
34	1	12400030/0	Stift	Pin	
35	1	12728510/0	Skruv	Screw	
36	1	25600047/0	Skydd	Micro Protection	
37	1	25600048/0	Överbelastningsskydd	Protection Cover	
38	2	12728450/0	Skruv	Screw	

www.emc-motoculture.com

GARDEN COMBI HST

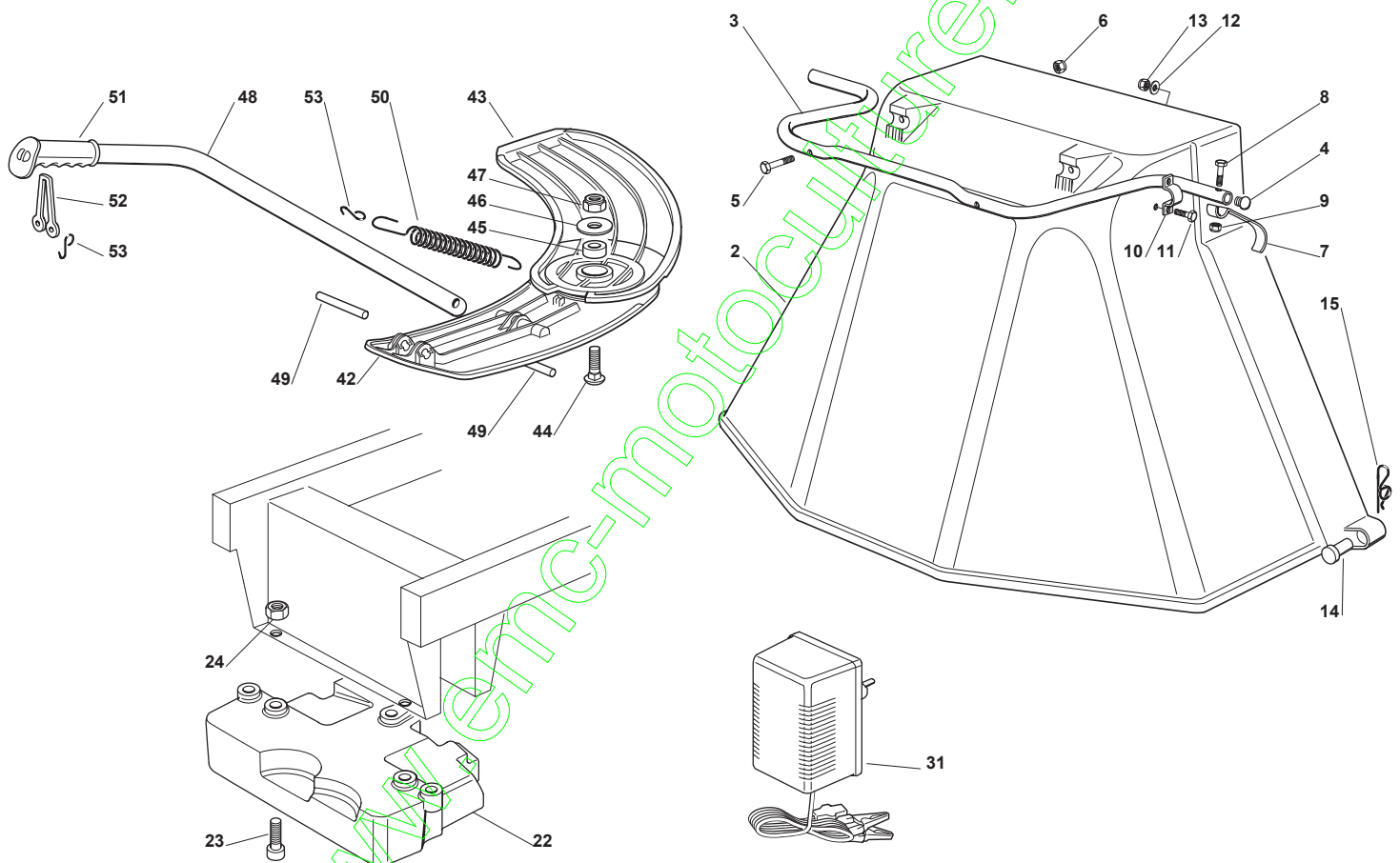


GARDEN COMBI HST

Pos. Fig.	Antal Quantity	Art No Part No	Benämning	Description	Anmärkning Notes
1	1	184040126/2	Kabel	Cables	
2	1	25722415/1	Elektroniska kort	Electronic Card	
3	2	12727810/0	Skruv	Screw	
4	1	33340036/0	Säkring	Fuse 25 A	
4	1	33340040/0	Säkring	Fuse 10A	
5	1	18450065/1	Brytare	Starting Switch	
6	1	18400861/0	Kondensator	Ringnut	
7	1	18565351/0	Hylsa	Ringnut Protection	
8	1	18210016/1	Kabel	Starting Key	
13	4	119410615/0	Brytare	Micro	
14	1	19410605/1	Brytare	Full Grasscat. Microsw.	
17	1	25065014/1	Kabel	Cable	
19	1	18120002/1	Batteri	Battery	
20	1	27772099/1	Fäste	Clamp	
21	1	12155000/0	Mutter	Nut	
22	2	18564861/1	Tätningshylsa	Protection	
23	1	12361005/0	Mutter	Nut	
24	3	33320506/0	Kabelhållare	Fairled	
25	1	33320504/0	Kabelhållare	Fairled	
26	1	27430561/0	Fjäder	Spring	
27	1	12735121/0	Skruv	Screw	
30	2	33215000/0	Kåpa	Cover	
31	2	33500007/0	Säkring	Fuse Carrier	

www.emc-motoculture.com

GARDEN COMBI HST

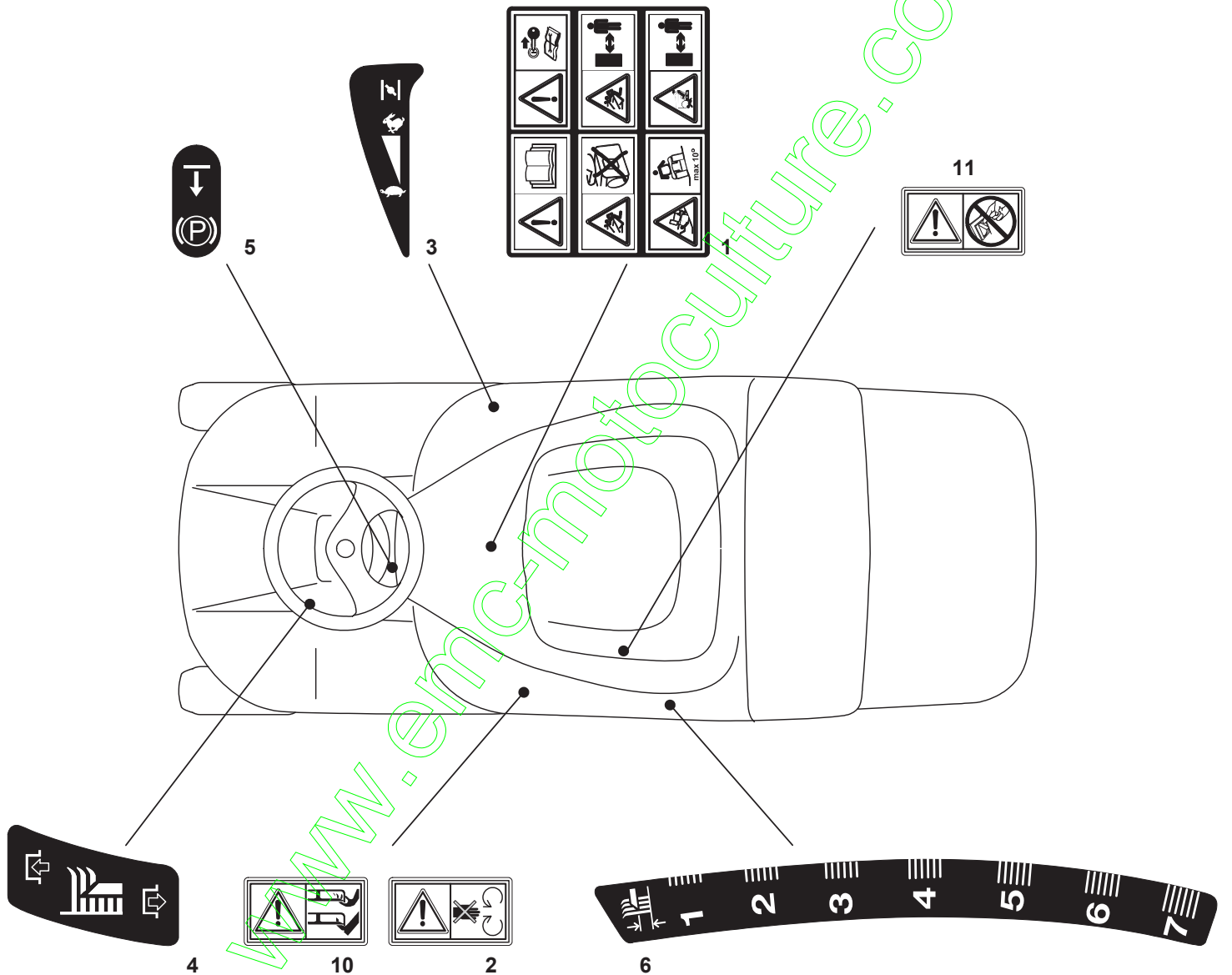


**GARDEN COMBI HST**

Pos. Fig.	Antal Quantity	Art No Part No	Benämning	Description	Anmärkning Notes
2	1	84598062/0	Avsluta Skydd	Ejection Guard	
3	1	27869053/0	Stöd	Support	
4	2	18566113/0	Plugg	Cap	
5	2	12674701/0	Skruv	Screw	
6	2	12154510/0	Mutter	Nut	
7	1	25547053/0	Trombocyt	Plate	
8	1	12791500/0	Skruv	Screw	
9	1	12154510/0	Mutter	Nut	
10	2	25547049/0	Trombocyt	Plate	
11	4	12788910/0	Skruv	Screw	
12	4	12523020/0	Bricka	Washer	
13	4	12154320/0	Mutter	Nut	
14	2	25510022/0	Stift	Pin	
15	2	24487998/0	Låsnål	Cotter Pin	
22	1	25519997/1	Weight	Weight	
23	3	12760520/0	Skruv	Screw	
24	3	12155000/0	Mutter	Nut	
31	1	182180090/0	Batteriladdare	Battery Charger	
42	1	27140055/0	Deflektor	Deflector, Rear	
43	1	27140054/0	Deflektor	Deflector, Front	
44	1	12818700/0	Skruv	Screw	
45	1	27047013/0	Bussning	Bushing	
46	1	22672152/0	Bricka	Washer	
47	1	12155000/0	Mutter	Nut	
48	1	27394003/2	Styre	Handle	
49	2	27510116/0	Stift	Pin	
50	1	25430229/1	Fjäder	Spring	
51	1	25280000/1	Handtag	Handgrip	
52	1	25840011/1	Stång	Elastic Tie-Rod	
53	3	25253004/0	Hake	Hook	

www.emc-motoculture.com

GARDEN COMBI HST



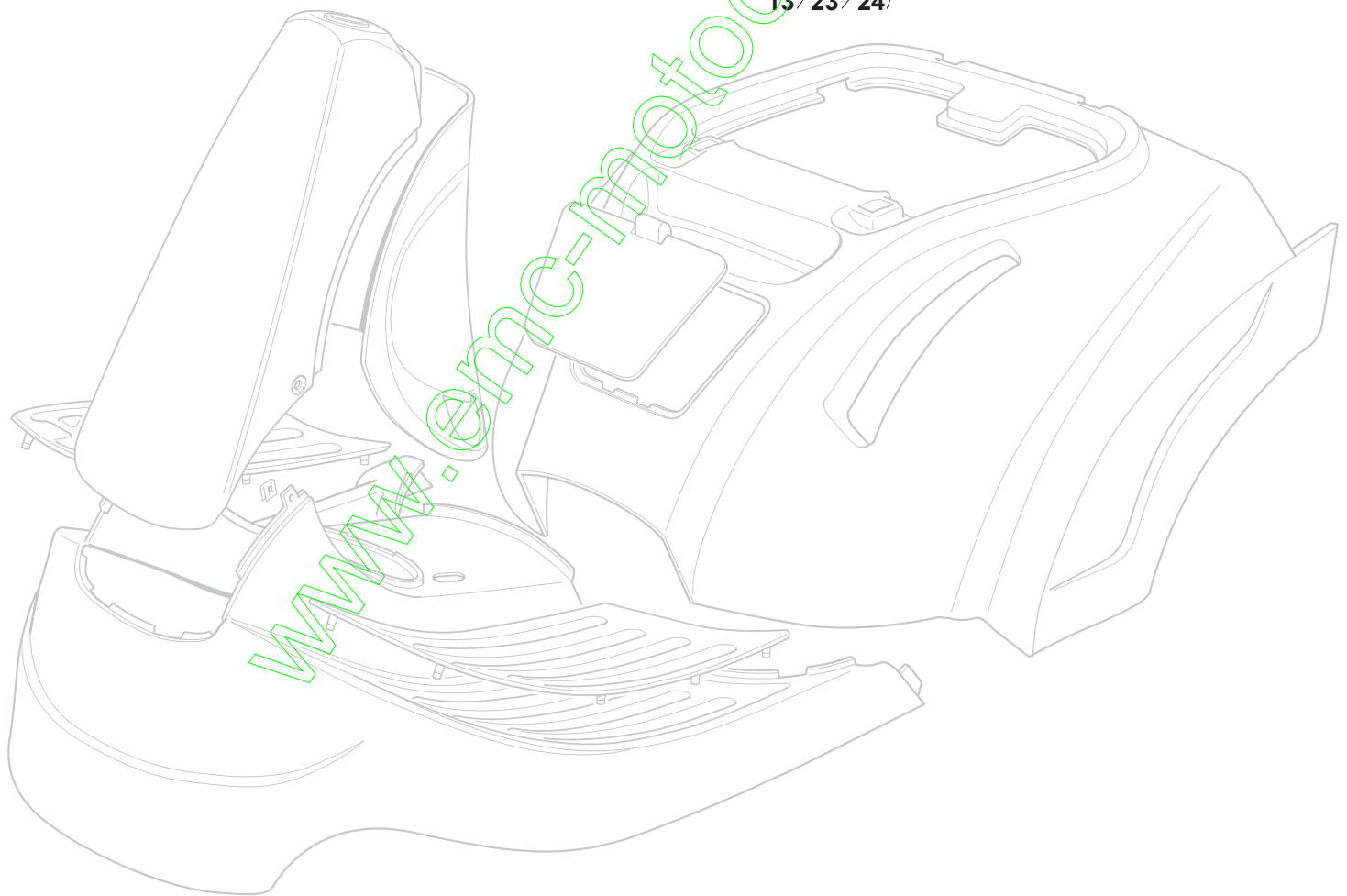
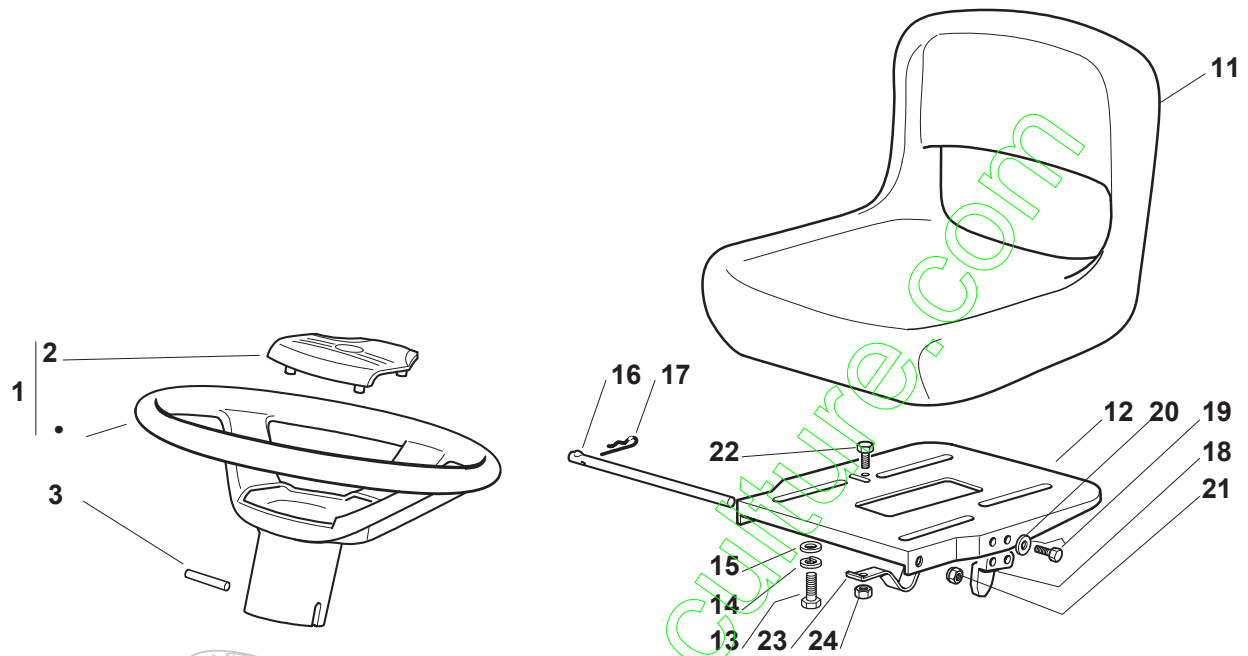


GARDEN COMBI HST

Pos. Fig.	Antal Quantity	Art No Part No	Benämning	Description	Anmärkning Notes
1	1	114357428/1	Dekal	Label	
2	1	114357519/2	Dekal	Label	
4	1	14357431/0	Dekal	Label	
5	1	114357526/1	Dekal	Label	
6	1	14357427/0	Dekal	Label	
10	2	114356699/1	Dekal	Label	
11	1	14360118/0	Dekal	Label	

www.emc-motoculture.com

GARDEN COMBI HST





GARDEN COMBI HST

Pos. Fig.	Antal Quantity	Art No Part No	Benämning	Description	Anmärkning Notes
1	1	25961209/0	Rott	Steering Wheel	
2	1	25580501/0	Lock	Cap	
3	1	12620299/0	Stift	Pin	
11	1	27722480/0	Seat	Seat	
12	1	25547033/1	Tavla	Plate	
13	4	12793101/0	Skruv	Screw	
14	4	12583500/0	Bricka	Grower	
15	4	12523060/0	Bricka	Washer	
16	1	27864052/0	Stift	Pin	
17	1	24487997/0	Bricka	Washer	
18	1	27063021/1	Fäste	Cam	
19	2	12789100/0	Skruv	Screw	
20	2	12523020/0	Bricka	Washer	
21	2	12154330/0	Mutter	Nut	
22	1	25430223/2	Fjäder	Spring	
23	1	12789000/0	Skruv	Screw	
24	1	12154330/0	Mutter	Nut	

www.emc-motoculture.com