

STIGA

ESTATE MASTER (2012)

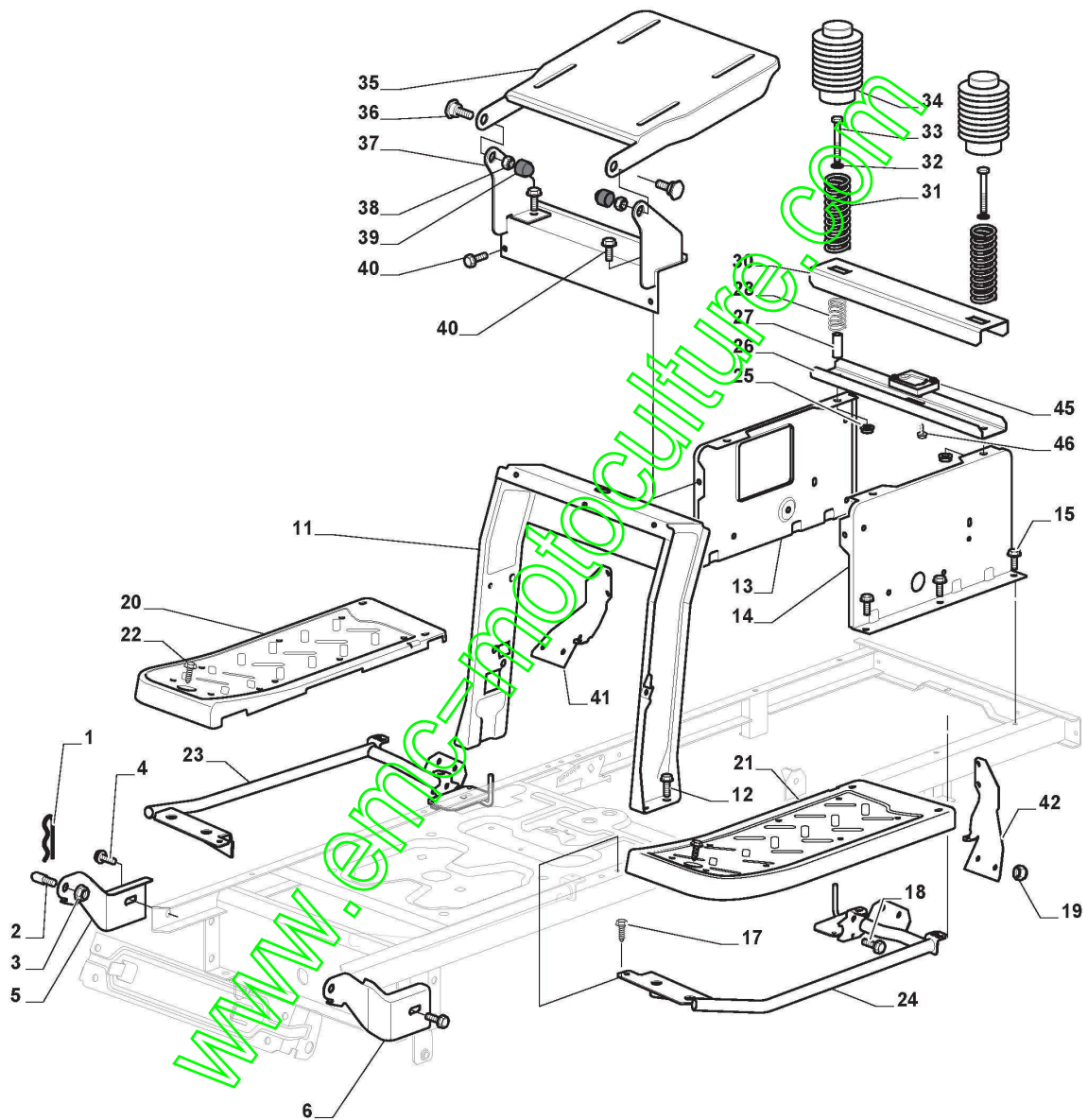
2T2010281/F12

Spare parts list
Reservdelar
Repuestos
Ersatzteile
Pièces détachées
Reserve onderdelen
Catalogo ricambi

www.emc-motoculture.com

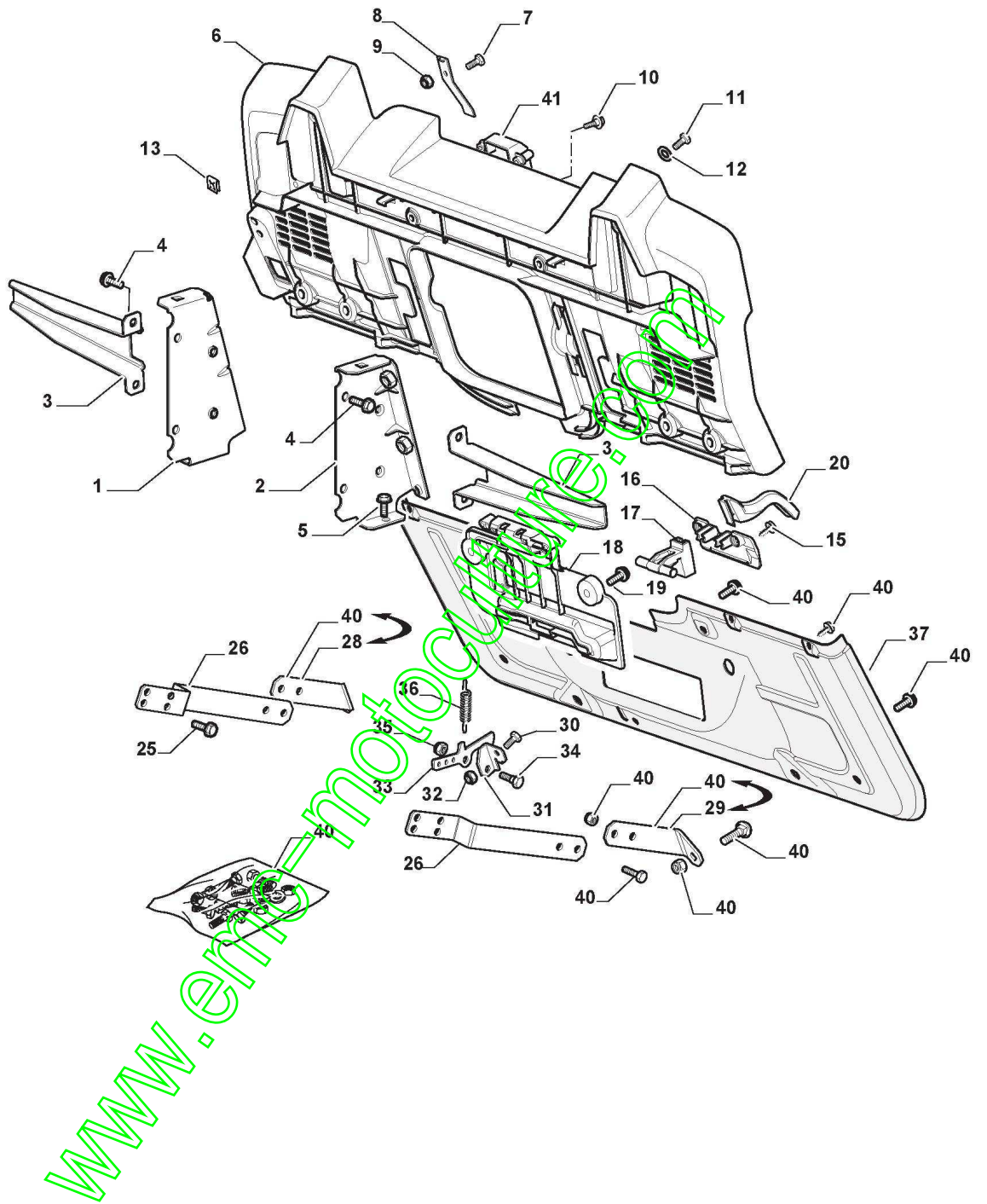
- Use ST. S.p.A. Genuine Spare Parts specified in the parts list for repair and/or replacement.
- The contents described in the parts list may change due to improvement.
- The drawings of the spare parts are only indicative And might Not represent the part in question exactly.
- The indications "right" - "left" - "front" - "rear" refer to the position of the operator when using the machine.
- When placing orders of parts for repair And/Or replacement, make sure that the illustrated parts list is the one applying to the machine's year of manufacture, as shown on the identification plate attached to the machine.

All rights reserved. No part Of this material may be reproduced Or transmitted, in any form Or by any means, electronic Or mechanical, including photocopying, recording Or by any information storage And retrieval system, without permission in writing from ST. S.p.A.



Chassis

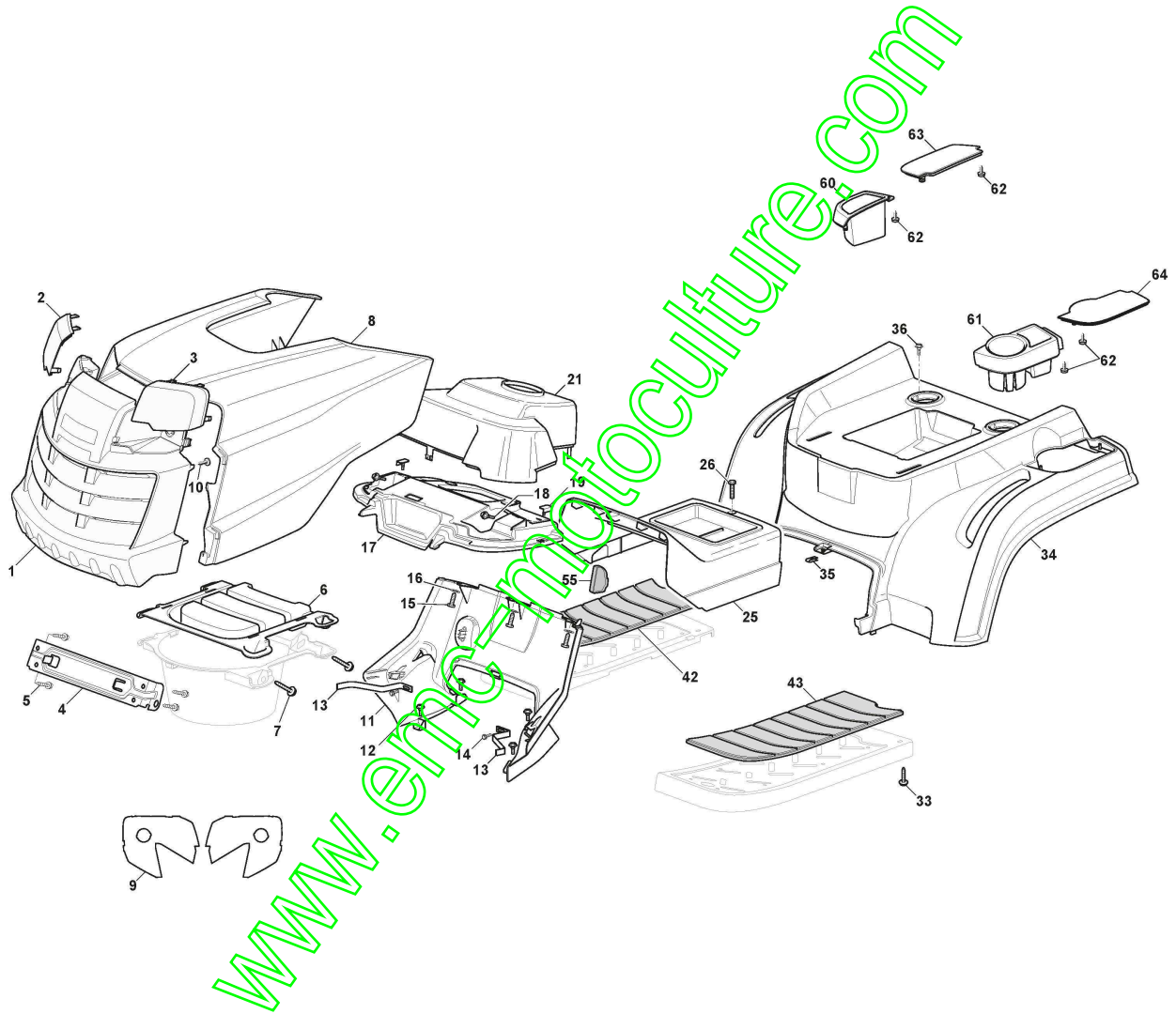
| Réf. N° | Q.té : | Code article | Description | Articles | De | Jusqu'à |
|---------|--------|--------------|---------------------------|---|----|---------|
| 1 | 1 | 124487998/0 | Goupille | | | |
| 2 | 2 | 125510079/0 | Pivot | To S/N 19LA3RON002089 | | |
| 2 | 2 | 125510169/0 | Pivot | From S/N 19DA3RON003315 | | |
| 3 | 2 | 112155000/0 | Ecrou | | | |
| 4 | 2 | 112735599/0 | Vis | | | |
| 5 | 1 | 325547225/0 | Plaquette Droit | | | |
| 6 | 1 | 325547227/0 | Plaquette Gauche | | | |
| 11 | 1 | 382785169/1 | Support Tube De Direction | | | |
| 12 | 4 | 125943009/0 | Vis | | | |
| 13 | 1 | 325785331/1 | Support Siege Droit | | | |
| 14 | 1 | 325785333/1 | Support Siege Gauche | | | |
| 15 | 6 | 125943009/0 | Vis | | | |
| 17 | 2 | 125943009/0 | Vis | | | |
| 18 | 2 | 125943009/0 | Vis | | | |
| 19 | 10 | 112155000/0 | Ecrou | | | |
| 20 | 1 | 325500041/1 | Marchepied Droit | | | |
| 21 | 1 | 325500043/1 | Marchepied Gauche | | | |
| 22 | 2 | 112735599/0 | Vis | | | |
| 23 | 1 | 382785223/0 | Support Marchepied | | | |
| 24 | 1 | 382785221/0 | Support Marchepied | | | |
| 25 | 2 | 112293201/0 | Ecrou | | | |
| 26 | 1 | 325820109/1 | Support Siege | | | |
| 27 | 2 | 125160048/0 | Entretoise | From 01-September-2014 | | |
| 27 | 2 | 125160077/0 | Entretoise | To 31-August-2014 | | |
| 28 | 2 | 125430263/0 | Ressort | | | |
| 30 | 1 | 325820111/0 | Support | | | |
| 31 | 2 | 125430264/0 | Ressort | | | |
| 32 | 2 | 112521350/0 | Rondelle | | | |
| 33 | 2 | 112691400/0 | Vis | | | |
| 34 | 2 | 325122002/0 | Protecteur | | | |
| 35 | 1 | 382547061/0 | Plaquette | | | |
| 36 | 2 | 122524970/2 | Pivot | To 31-August-2014 | | |
| 36 | 2 | 122524970/3 | Goupille | From 01-September-2014 | | |
| 37 | 1 | 382820151/0 | Support Siege | | | |
| 38 | 2 | 112155010/0 | Ecrou | | | |
| 39 | 2 | 118203854/0 | Capot | | | |
| 40 | 12 | 125943009/0 | Vis | | | |
| 41 | 1 | 325650155/0 | Support | To S/N 00271854 | | |
| 41 | 1 | 325650155/1 | Support | From S/N 00269797 To S/N 20BA3RON006584 | | |
| 41 | 1 | 325650155/2 | Support | From S/N 20BA3RON006585 | | |
| 42 | 1 | 325650157/0 | Support | To S/N 00271854 | | |
| 42 | 1 | 325650157/1 | Support | From S/N DD325495 To S/N 20AA3RON007470 | | |
| 42 | 1 | 325650157/2 | Support | From S/N 20AA3RON007537 | | |
| 45 | 1 | 325785379/0 | Support | | | |
| 46 | 2 | 112728686/0 | Vis | | | |



Frame - Rear Plate

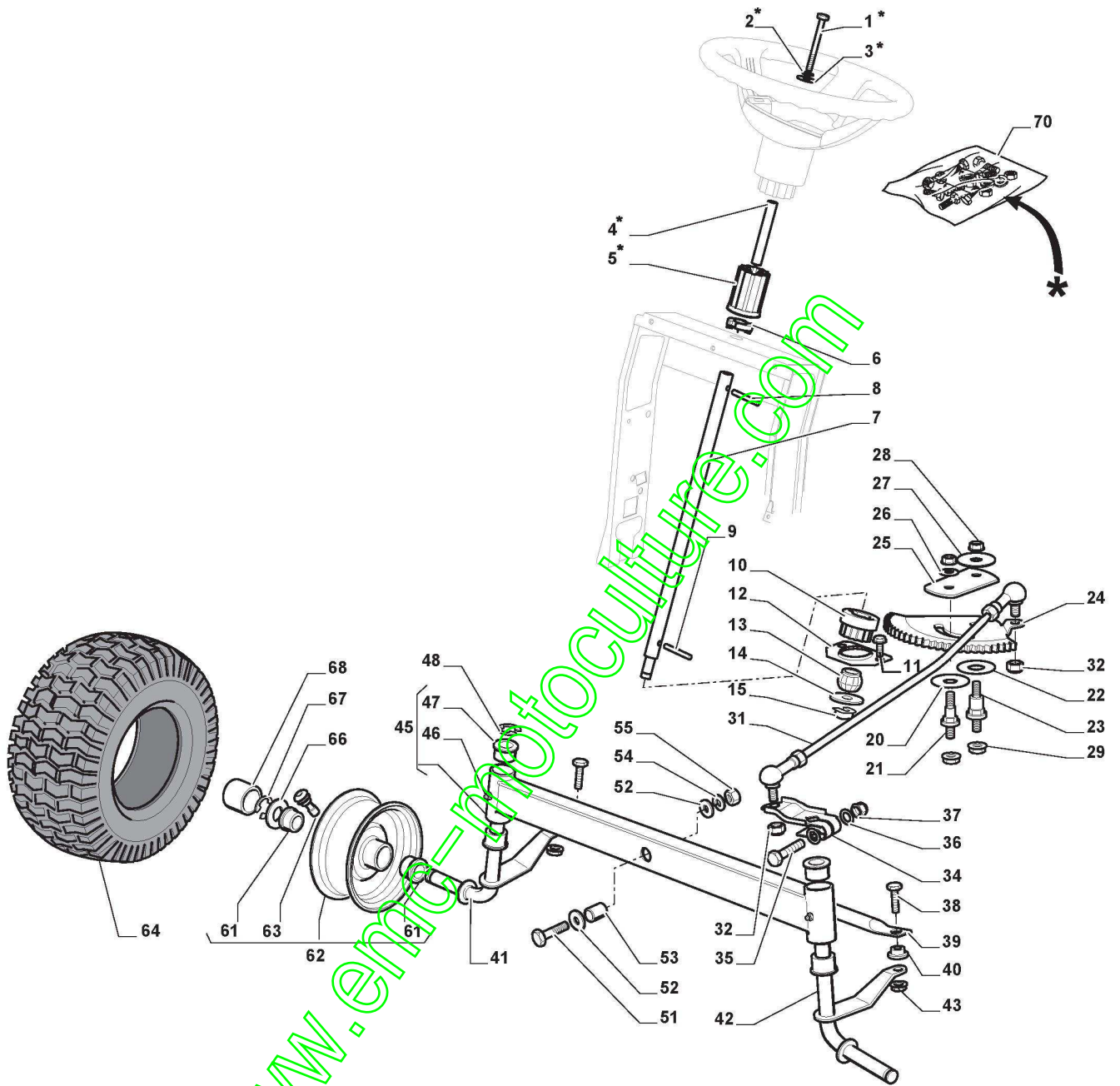
| Réf. N° | Q.té : | Code article | Description | Articles | De | Jusqu'à |
|---------|--------|--------------|----------------------------------|------------------------|----|---------|
| 1 | 1 | 325774501/0 | Etrier | | | |
| 2 | 1 | 325774507/0 | Etrier | | | |
| 3 | 2 | 325650163/0 | Renforcement | | | |
| 4 | 8 | 125943009/0 | Vis | | | |
| 5 | 2 | 125943009/0 | Vis | | | |
| 6 | 1 | 325547299/0 | Plaque Arriere, Partie Superieur | | | |
| 7 | 1 | 112789008/0 | Vis | | | |
| 8 | 1 | 127430554/0 | Ressort | To 31-August-2013 | | |
| 8 | 1 | 127430600/0 | Ressort | From 01-September-2013 | | |
| 9 | 1 | 112154330/0 | Ecrou | | | |
| 10 | 4 | 125943010/0 | Vis | | | |
| 11 | 6 | 112789008/0 | Vis | | | |
| 12 | 6 | 112521320/0 | Rondelle | | | |
| 13 | 6 | 112437503/0 | Plaquette | | | |
| 15 | 2 | 112728686/0 | Vis | | | |
| 16 | 1 | 325109522/0 | Couvercle Protection | | | |
| 17 | 1 | 325318276/0 | Levier | | | |
| 18 | 1 | 325785400/0 | Support | To 31-August-2012 | | |
| 18 | 1 | 325785428/0 | Support | From 01-September-2012 | | |
| 19 | 2 | 125943010/0 | Vis | | | |
| 20 | 1 | 325318277/0 | Levier | | | |
| 25 | 4 | 125943009/0 | Vis | | | |
| 26 | 2 | 325774521/0 | Etrier | | | |
| 28 | 1 | 325650151/0 | Renforcement | | | |
| 29 | 1 | 325650153/0 | Renforcement | | | |
| 30 | 1 | 112789008/0 | Vis | | | |
| 31 | 1 | 325755061/0 | Etrier | | | |
| 32 | 1 | 112154330/0 | Ecrou | | | |
| 33 | 1 | 325774533/0 | Etrier | | | |
| 34 | 1 | 125510080/1 | Pivot | To 31-August-2015 | | |
| 34 | 1 | 125510080/2 | Pivot | From 01-September-2015 | | |
| 35 | 1 | 112154510/0 | Ecrou | | | |
| 36 | 1 | 125430282/0 | Ressort | | | |
| 37 | 1 | 382547071/0 | Plaque Arriere, Partie Inferieur | | | |
| 40 | 1 | 382180121/0 | Dotation Visserie | | | |
| 41 | 1 | 325600107/0 | Protection Micro | | | |

www.emc-motoculture.com



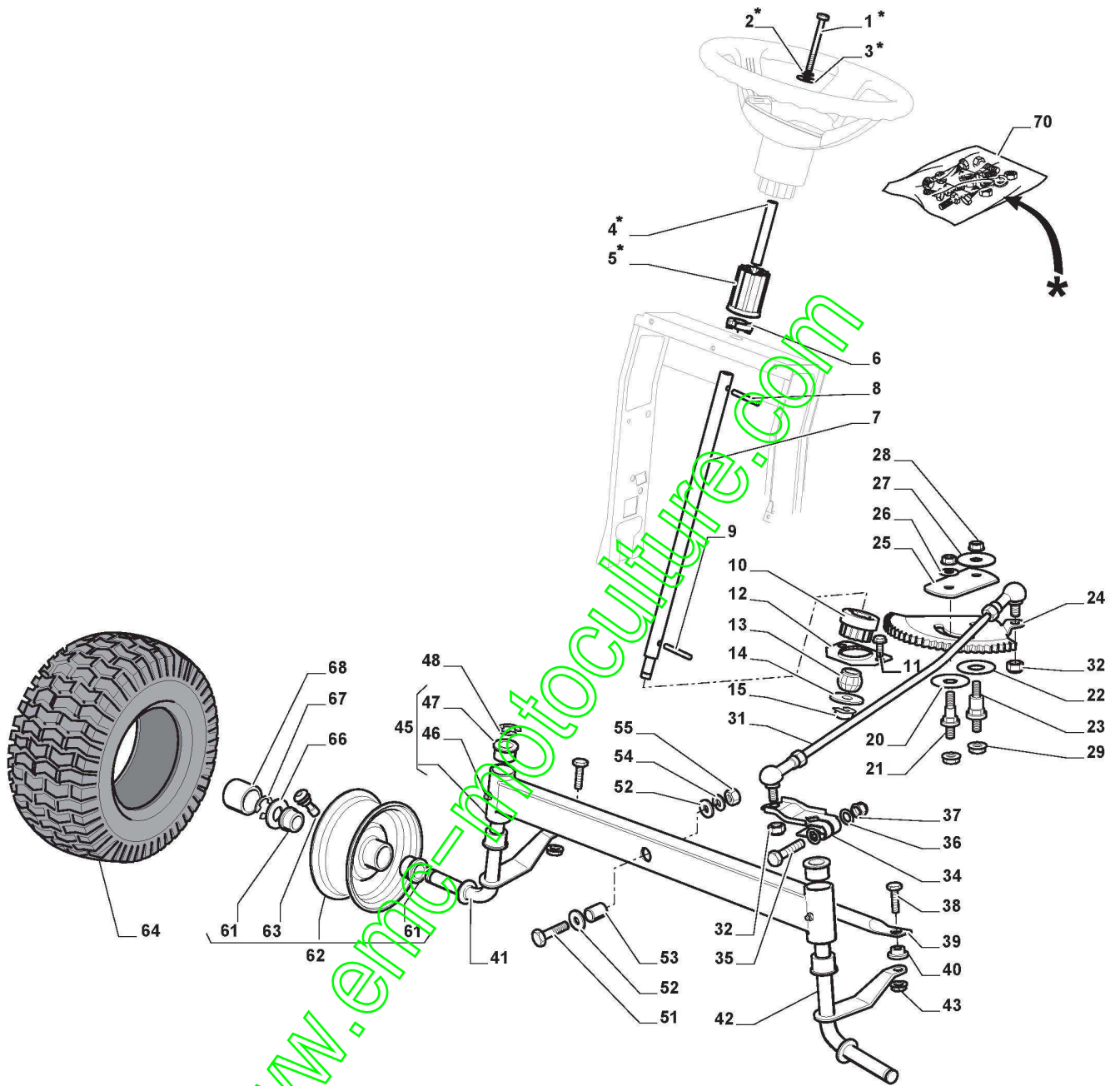
Carrosserie

| Réf. N° | Q.té : | Code article | Description | Articles | De | Jusqu'à |
|---------|--------|--------------|----------------------------|---|----|---------|
| 1 | 1 | 325076914/0 | Capot Avant Gris | | | |
| 2 | 1 | 325410903/0 | Panneau Droit | | | |
| 3 | 1 | 325410904/0 | Panneau Gauche | | | |
| 4 | 1 | 325785365/0 | Support Capot | | | |
| 5 | 4 | 112735403/0 | Vis | | | |
| 6 | 1 | 325263302/1 | Capot avant noir | | | |
| 7 | 4 | 112728692/0 | Vis | | | |
| 8 | 1 | 325076913/0 | Capot Noir | | | |
| 9 | 1 | 114365477/0 | Autocollant Parabole Phare | | | |
| 10 | 4 | 112728686/0 | Vis | | | |
| 11 | 1 | 325785298/0 | Support Tableau Comm. | | | |
| 12 | 4 | 125943010/0 | Vis | | | |
| 13 | 2 | 325270325/0 | Guide | | | |
| 14 | 2 | 112735599/0 | Vis | | | |
| 15 | 3 | 112735406/0 | Vis | | | |
| 16 | 3 | 112523040/0 | Rondelle | | | |
| 17 | 1 | 325120209/0 | Console | To 31-August-2014 | | |
| 17 | 1 | 325120259/0 | Console | From 01-September-2014 To 31-August-2015 | | |
| 17 | 1 | 325120259/1 | Console | From 01-September-2015 To 31-August-2017 | | |
| 17 | 1 | 325120259/2 | Console | From 01-September-2017 | | |
| 18 | 2 | 125943010/0 | Vis | | | |
| 19 | 2 | 325260003/0 | Caoutchouc | | | |
| 21 | 1 | 325120203/0 | Couvercle | | | |
| 25 | 1 | 325110397/1 | Couvre Central Noir | | | |
| 26 | 1 | 125943010/0 | Vis | | | |
| 33 | 4 | 112735406/0 | Vis | | | |
| 34 | 1 | 325110435/0 | Couvre-Roues Noir | | | |
| 35 | 1 | 112437506/0 | Plaquette | | | |
| 36 | 2 | 125943010/0 | Vis | | | |
| 42 | 1 | 325110384/0 | Couvre Marchepied Droit | AS OPTIONAL - Not present on all Assortment | | |
| 43 | 1 | 325110385/0 | Couvre Marchepied Gauche | AS OPTIONAL - Not present on all assortment | | |
| 55 | 1 | 325207191/0 | Plaquette | Not needed for Hydro Model | | |
| 60 | 1 | 325207198/0 | Couvercle | | | |
| 61 | 1 | 325207199/0 | Couvercle | | | |
| 62 | 4 | 112735403/0 | Vis | | | |
| 63 | 1 | 325207196/0 | Couvercle | | | |
| 64 | 1 | 325207197/0 | Couvercle | | | |



Barre De Direction

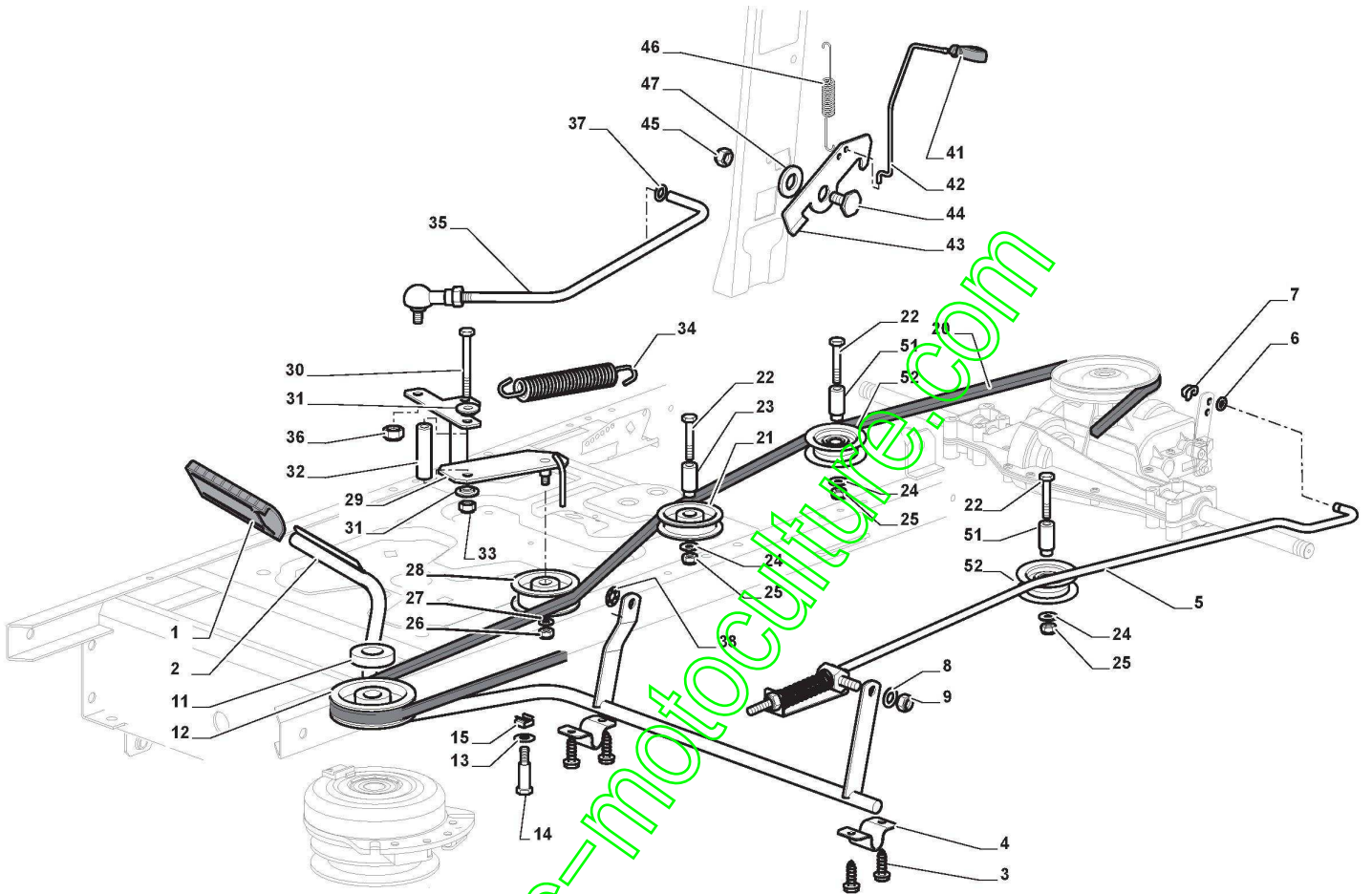
| Réf. N° | Q.té : | Code article | Description | Articles | De | Jusqu'à |
|---------|--------|--------------|-------------------------------------|------------------------|----|---------|
| 1 | 1 | 112692050/0 | Vis | | | |
| 2 | 1 | 112540260/0 | Rondelle | | | |
| 3 | 1 | 112523070/0 | Rondelle | | | |
| 4 | 1 | 125160047/0 | Entretoise | | | |
| 5 | 1 | 325785318/0 | Support | | | |
| 6 | 1 | 325038008/0 | Douille | | | |
| 7 | 1 | 125520007/0 | Tube De Direction | | | |
| 8 | 1 | 112620300/0 | Ressort | | | |
| 9 | 1 | 112622650/0 | Goupille | | | |
| 10 | 1 | 125570003/0 | Pignon | | | |
| 11 | 2 | 127943051/0 | Vis | | | |
| 12 | 1 | 325785213/1 | Support | | | |
| 13 | 1 | 325743000/0 | Joint | | | |
| 14 | 1 | 112521370/0 | Rondelle | | | |
| 15 | 1 | 112436030/0 | Plaquette | | | |
| 20 | 1 | 322672151/0 | Rondelle Antifriction | | | |
| 21 | 1 | 125510104/0 | Pivot | | | |
| 22 | 1 | 125670023/0 | Rondelle | | | |
| 23 | 1 | 125510109/0 | Pivot | | | |
| 24 | 1 | 325735519/0 | Secteur Direction | | | |
| 25 | 1 | 325547233/0 | Plaquette | | | |
| 26 | 1 | 112369500/0 | Disque Elastique | | | |
| 27 | 1 | 122160400/0 | Disque Elastique | | | |
| 28 | 2 | 112155010/0 | Ecrou | | | |
| 29 | 2 | 112154210/0 | Ecrou | | | |
| 31 | 1 | 382000566/1 | Barre De Direction | | | |
| 32 | 2 | 112156602/0 | Ecrou | | | |
| 34 | 1 | 325318243/0 | Levier | | | |
| 35 | 1 | 112692390/0 | Vis | | | |
| 36 | 2 | 112521360/0 | Rondelle | | | |
| 37 | 1 | 112156602/0 | Ecrou | | | |
| 38 | 2 | 125510103/0 | Pivot | | | |
| 39 | 1 | 325840029/0 | Tirant | | | |
| 40 | 2 | 325038007/0 | Douille | | | |
| 41 | 1 | 382230373/0 | Fuseau Droit | | | |
| 42 | 1 | 382230375/0 | Fuseau Gauche | | | |
| 43 | 2 | 112155000/0 | Ecrou | | | |
| 45 | 1 | 382034030/0 | Balancier Avec Douille Et Graisseur | | | |
| 46 | 2 | 112379511/0 | Graisseur | | | |
| 47 | 4 | 125034002/1 | Douille | | | |
| 48 | 1 | 112001010/0 | Anneau Benzing | | | |
| 51 | 1 | 112692695/0 | Vis | | | |
| 52 | 2 | 112523100/0 | Rondelle | | | |
| 53 | 1 | 125160016/0 | Entretoise | To 31-August-2013 | | |
| 53 | 1 | 125160016/1 | Entretoise | From 01-September-2013 | | |
| 54 | 1 | 112587100/0 | Grower | | | |
| 55 | 1 | 112295300/0 | Ecrou | | | |
| 61 | 4 | 125122200/2 | Roulement | | | |



Barre De Direction

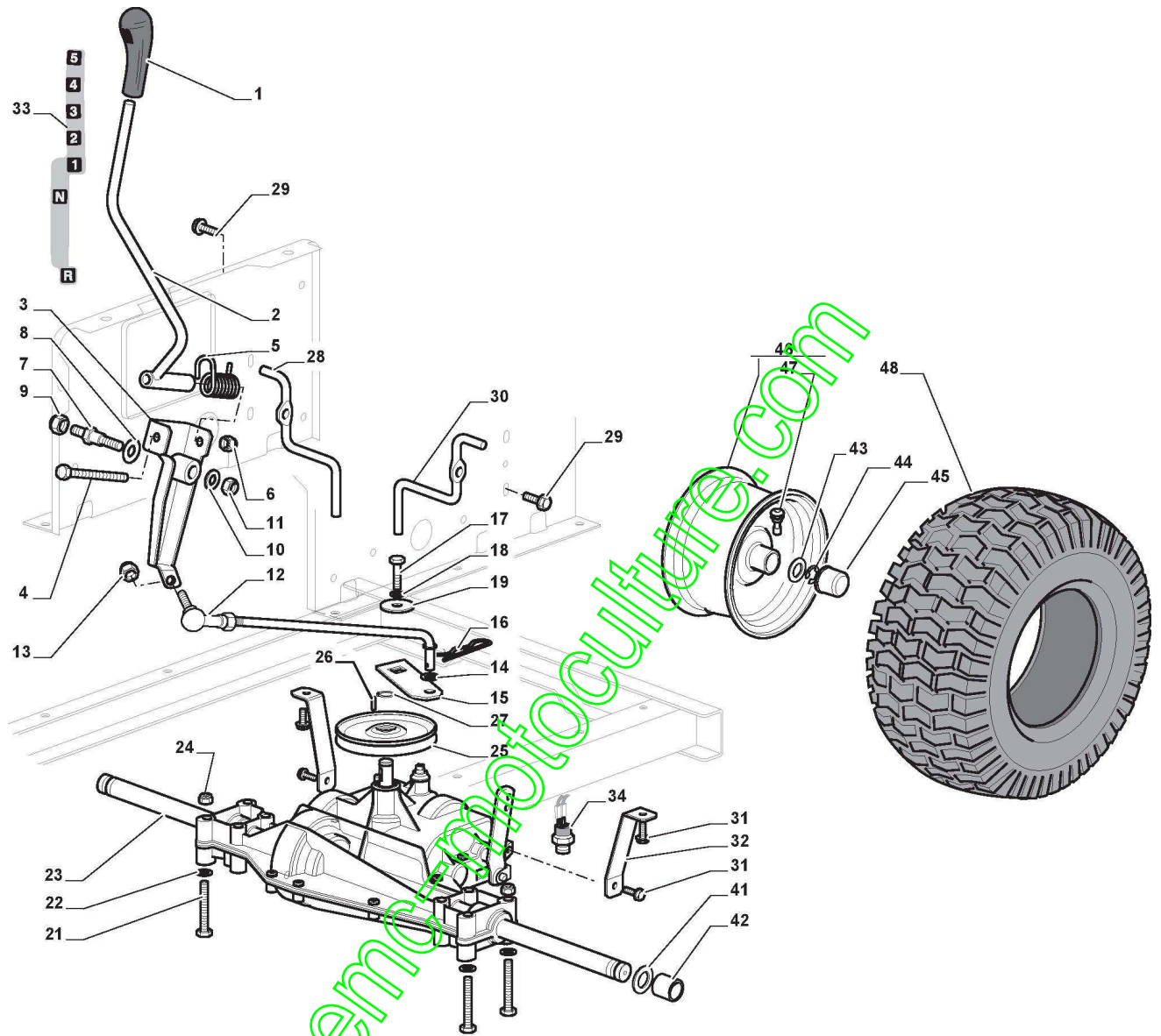
| Réf. N° | Q.té : | Code article | Description | Articles | De | Jusqu'à |
|---------|--------|--------------|---------------------------|--|----|---------|
| 62 | 2 | 182000598/0 | Bandage Roue | | | |
| 63 | 2 | 125950000/0 | Vanne | | | |
| 64 | 2 | 125590019/0 | Pneu 15x6.00-6 P512 WANDA | For other ST Brand;From 01-September-2016 | | |
| 64 | 2 | 127590066/0 | Pneu 15x6.00-6 WANDA | For other ST Brand;To 31-August-2015 | | |
| 66 | 2 | 125670005/1 | Rondelle | To 31-August-2014 | | |
| 66 | 2 | 125670005/2 | Rondelle | From 01-September-2014 | | |
| 67 | 2 | 112001010/0 | Anneau Benzing | | | |
| 70 | 1 | 382180124/0 | Dotation Visserie | | | |

www.emc-motoculture.com



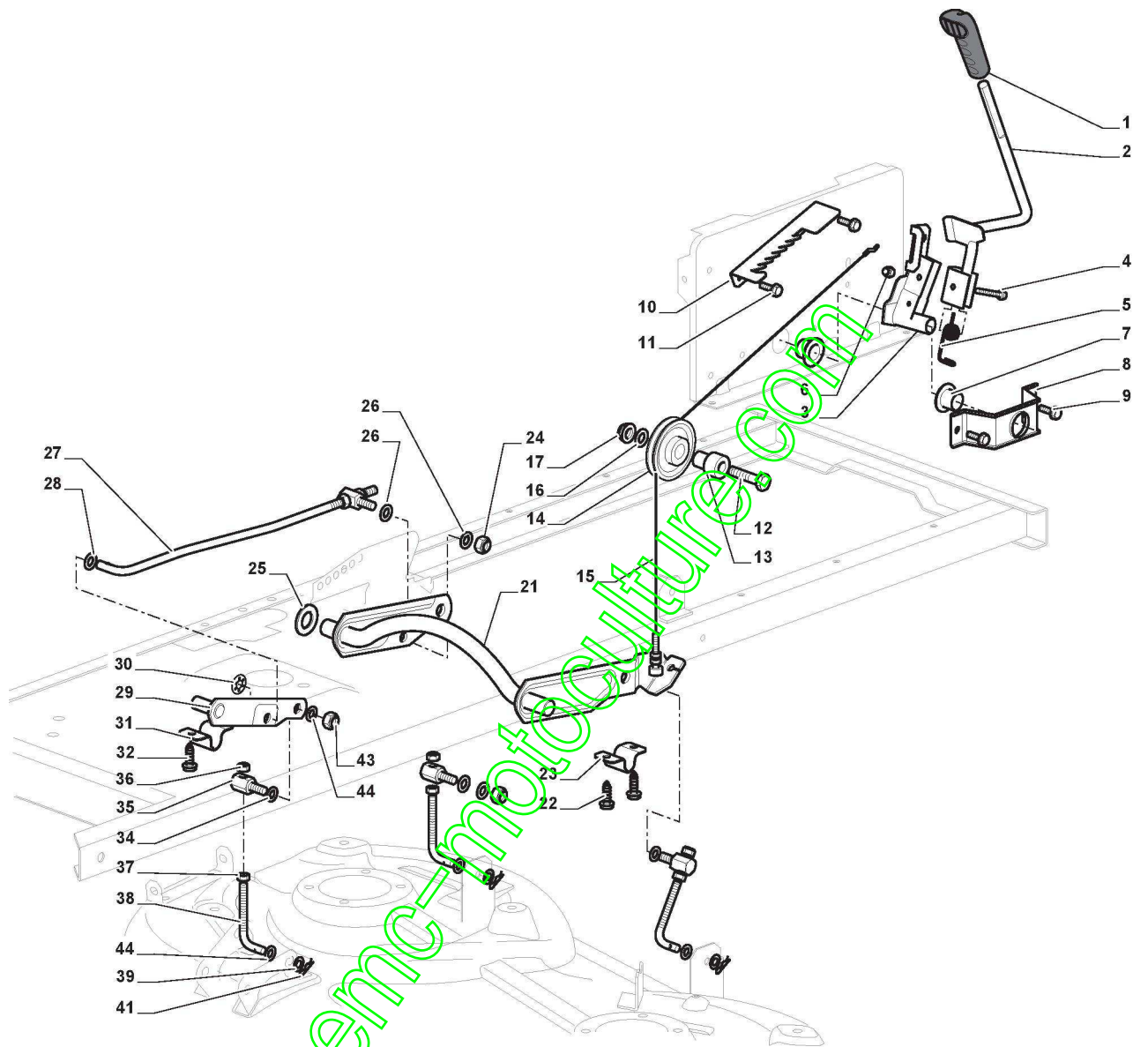
Commande Frein Et Boite De Vitesse

| Réf. N° | Q.té : | Code article | Description | Articles | De | Jusqu'à |
|---------|--------|--------------|----------------------------|----------|----|---------|
| 1 | 1 | 325110391/0 | Couvre Etrier | | | |
| 2 | 1 | 382500043/0 | Pedal | | | |
| 3 | 4 | 112735599/0 | Vis | | | |
| 4 | 2 | 325547231/0 | Plaquette | | | |
| 5 | 1 | 382000568/0 | Tige | | | |
| 6 | 1 | 112521350/0 | Rondelle | | | |
| 7 | 1 | 112436050/0 | Plaquette | | | |
| 8 | 1 | 325670011/0 | Rondelle Antifriction | | | |
| 9 | 1 | 112155000/0 | Ecrou | | | |
| 11 | 1 | 125160021/0 | Entretoise | | | |
| 12 | 1 | 125601567/0 | Poulie | | | |
| 13 | 2 | 112524010/0 | Rondelle | | | |
| 14 | 2 | 125580030/0 | Cheville Guide De Courroie | | | |
| 15 | 2 | 112360425/0 | Ecrou | | | |
| 20 | 1 | 135062012/0 | Courroie | | | |
| 21 | 1 | 125601555/0 | Poulie | | | |
| 22 | 3 | 112691400/0 | Vis | | | |
| 23 | 1 | 125160051/0 | Entretoise | | | |
| 24 | 3 | 112523060/0 | Rondelle | | | |
| 25 | 3 | 112155000/0 | Ecrou | | | |
| 26 | 1 | 112155000/0 | Ecrou | | | |
| 27 | 1 | 112523060/0 | Rondelle | | | |
| 28 | 1 | 125601554/0 | Poulie | | | |
| 29 | 1 | 382318235/0 | Levier | | | |
| 30 | 1 | 112691600/0 | Vis | | | |
| 31 | 2 | 125038002/1 | Douille | | | |
| 32 | 1 | 125160027/0 | Entretoise | | | |
| 33 | 1 | 112155000/0 | Ecrou | | | |
| 34 | 1 | 125430262/0 | Ressort | | | |
| 35 | 1 | 382820016/0 | Ens. Tirant | | | |
| 36 | 1 | 112293201/0 | Ecrou | | | |
| 37 | 1 | 112521350/0 | Rondelle | | | |
| 38 | 1 | 112604899/0 | Fixateur A Couronne | | | |
| 41 | 1 | 325394534/0 | Poignée | | | |
| 42 | 1 | 125033083/0 | Tige | | | |
| 43 | 1 | 325253011/1 | Accrochage | | | |
| 44 | 1 | 122524970/2 | Pivot | | | |
| 45 | 1 | 112155000/0 | Ecrou | | | |
| 46 | 1 | 125430213/0 | Ressort | | | |
| 47 | 1 | 112523060/0 | Rondelle | | | |
| 51 | 2 | 125160068/0 | Entretoise | | | |
| 52 | 2 | 125601592/0 | Poulie | | | |



Transmission

| Réf. N° | Q.té : | Code article | Description | Articles | De | Jusqu'à |
|---------|--------|--------------|-----------------------------|----------|----|---------|
| 1 | 1 | 325394532/0 | Poignée | | | |
| 2 | 1 | 382318257/0 | Levier | | | |
| 3 | 1 | 382774259/0 | Etrier | | | |
| 4 | 1 | 112692050/0 | Vis | | | |
| 5 | 1 | 125430226/0 | Ressort | | | |
| 6 | 1 | 112155000/0 | Ecrou | | | |
| 7 | 1 | 125510035/0 | Pivot | | | |
| 8 | 1 | 322672151/0 | Rondelle Antifriction | | | |
| 9 | 1 | 112293201/0 | Ecrou | | | |
| 10 | 1 | 112523060/0 | Rondelle | | | |
| 11 | 1 | 112155010/0 | Ecrou | | | |
| 12 | 1 | 382000567/0 | Tige | | | |
| 13 | 1 | 112154210/0 | Ecrou | | | |
| 14 | 1 | 112521340/0 | Rondelle | | | |
| 15 | 1 | 325318235/0 | Levier | | | |
| 16 | 1 | 112141418/0 | Goupille | | | |
| 17 | 1 | 112735520/0 | Vis | | | |
| 18 | 1 | 112540040/0 | Rondelle | | | |
| 19 | 1 | 322680009/0 | Rondelle | | | |
| 21 | 4 | 112691600/0 | Vis | | | |
| 22 | 4 | 112521350/0 | Rondelle | | | |
| 23 | 1 | 118400912/0 | Axe Arriere (Dana 4360-211) | | | |
| 24 | 4 | 112155000/0 | Ecrou | | | |
| 25 | 1 | 182601509/0 | Poulie | | | |
| 26 | 1 | 112139430/0 | Languette | | | |
| 27 | 1 | 112608950/0 | Seeger | | | |
| 28 | 1 | 125270329/0 | Guide Curroire | | | |
| 29 | 2 | 112735599/0 | Vis | | | |
| 30 | 1 | 125270330/0 | Guide Curroire | | | |
| 31 | 4 | 125943009/0 | Vis | | | |
| 32 | 2 | 325785315/0 | Support | | | |
| 33 | 1 | 114363451/0 | Etiquette | | | |
| 34 | 1 | 119410610/0 | Micro | | | |
| 41 | 2 | 125670005/1 | Rondelle | | | |
| 42 | 2 | 125160055/0 | Entretoise | | | |
| 43 | 6 | 125670005/1 | Rondelle | | | |
| 44 | 2 | 112001010/0 | Anneau Benzing | | | |
| 46 | 2 | 382000597/0 | Bandage Roue Arriere | | | |
| 47 | 2 | 125950000/0 | Vanne | | | |
| 48 | 2 | 125590022/0 | Pneu 18x8.50-8 P519 WANDA | | | |

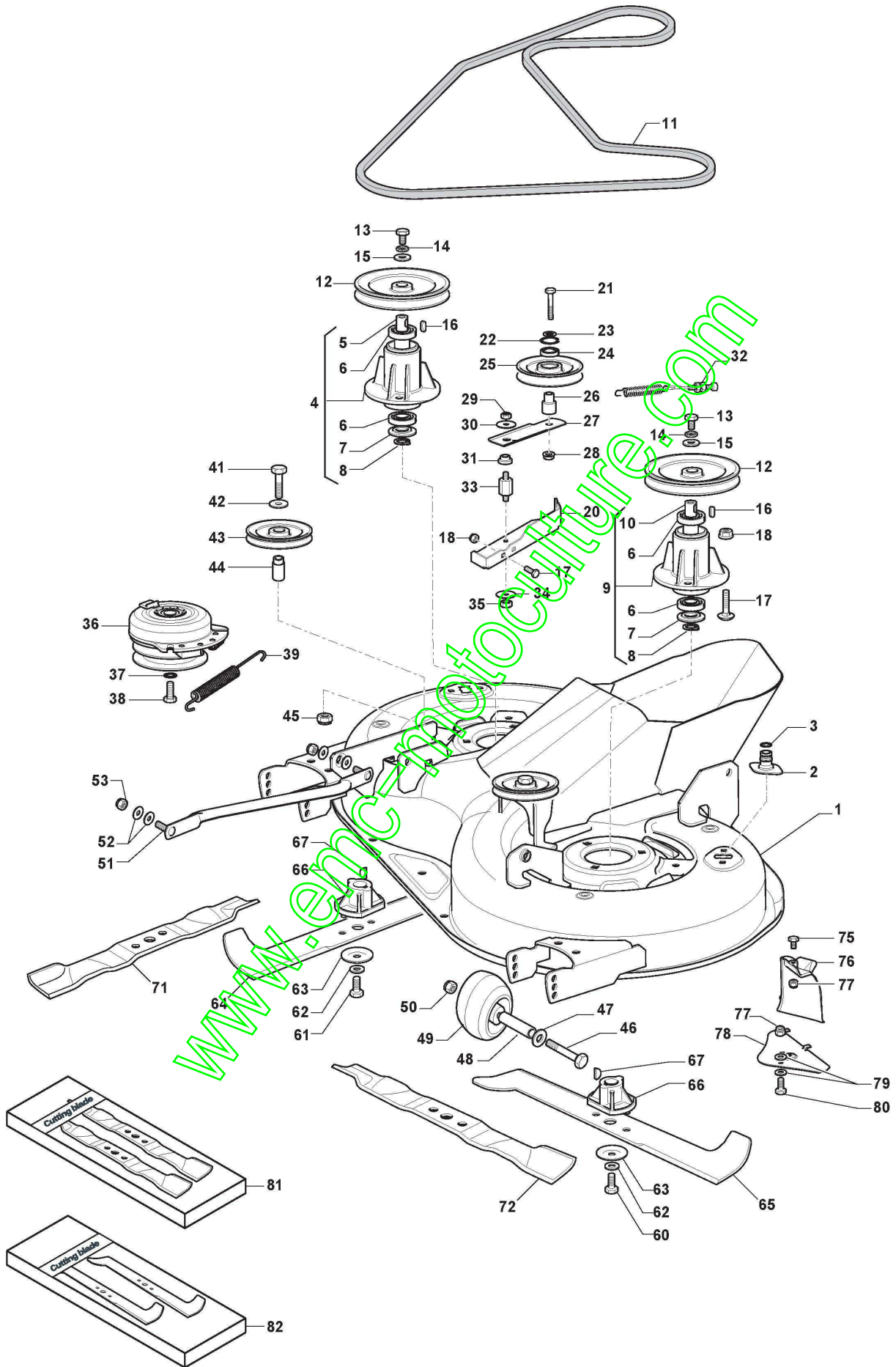


www.enc-motoculture.com

Soulevement Plateau De Coupe

| Réf. N° | Q.té : | Code article | Description | Articles | De | Jusqu'à |
|---------|--------|--------------|-----------------------|--|----|---------|
| 1 | 1 | 325394533/0 | Poignée | | | |
| 2 | 1 | 382318255/0 | Levier | | | |
| 3 | 1 | 382318231/0 | Axe | | | |
| 4 | 1 | 112674700/0 | Vis | | | |
| 5 | 1 | 125430261/0 | Ressort | | | |
| 6 | 1 | 112154510/0 | Ecrou | | | |
| 7 | 2 | 325038006/0 | Douille | | | |
| 8 | 1 | 325785297/0 | Support | | | |
| 9 | 2 | 125943009/0 | Vis | | | |
| 10 | 1 | 325735515/0 | Secteur Direction | | | |
| 11 | 2 | 125943009/0 | Vis | | | |
| 12 | 1 | 112793701/0 | Vis | | | |
| 13 | 1 | 125040636/0 | Douille | | | |
| 14 | 1 | 125601579/0 | Poulie | | | |
| 15 | 1 | 382004620/0 | Fil | | | |
| 16 | 1 | 112523060/0 | Rondelle | | | |
| 17 | 1 | 112293201/0 | Ecrou | | | |
| 21 | 1 | 382318253/0 | Axe | for the replacement check Service Bulletin RO_043 | | |
| 22 | 4 | 112735599/0 | Vis | | | |
| 23 | 2 | 325547231/0 | Plaquette | | | |
| 24 | 1 | 112155000/0 | Ecrou | | | |
| 25 | 2 | 112521390/0 | Rondelle | | | |
| 26 | 2 | 325670011/0 | Rondelle Antifriccion | | | |
| 27 | 1 | 382000569/1 | Tige De Connexion | for the replacement check Service Bulletin RO_043 | | |
| 28 | 1 | 112521350/0 | Rondelle | | | |
| 29 | 1 | 382318237/0 | Axe | for the replacement check Service Bulletin RO_043 | | |
| 30 | 1 | 112604899/0 | Fixateur A Couronne | | | |
| 31 | 1 | 325547231/0 | Plaquette | | | |
| 32 | 2 | 112735599/0 | Vis | | | |
| 34 | 3 | 325670008/1 | Rondelle | | | |
| 35 | 3 | 125510107/1 | Pivot | | | |
| 36 | 3 | 112156602/0 | Ecrou | | | |
| 37 | 3 | 112295200/0 | Ecrou | | | |
| 38 | 1 | 125840012/0 | Tirant | | | |
| 39 | 3 | 112523060/0 | Rondelle | To 31-August-2013 | | |
| 39 | 3 | 325670008/1 | Rondelle | From 01-September-2013 | | |
| 41 | 3 | 124487998/0 | Goupille | | | |
| 43 | 3 | 112156602/0 | Ecrou | | | |
| 44 | 6 | 325670008/1 | Rondelle | | | |

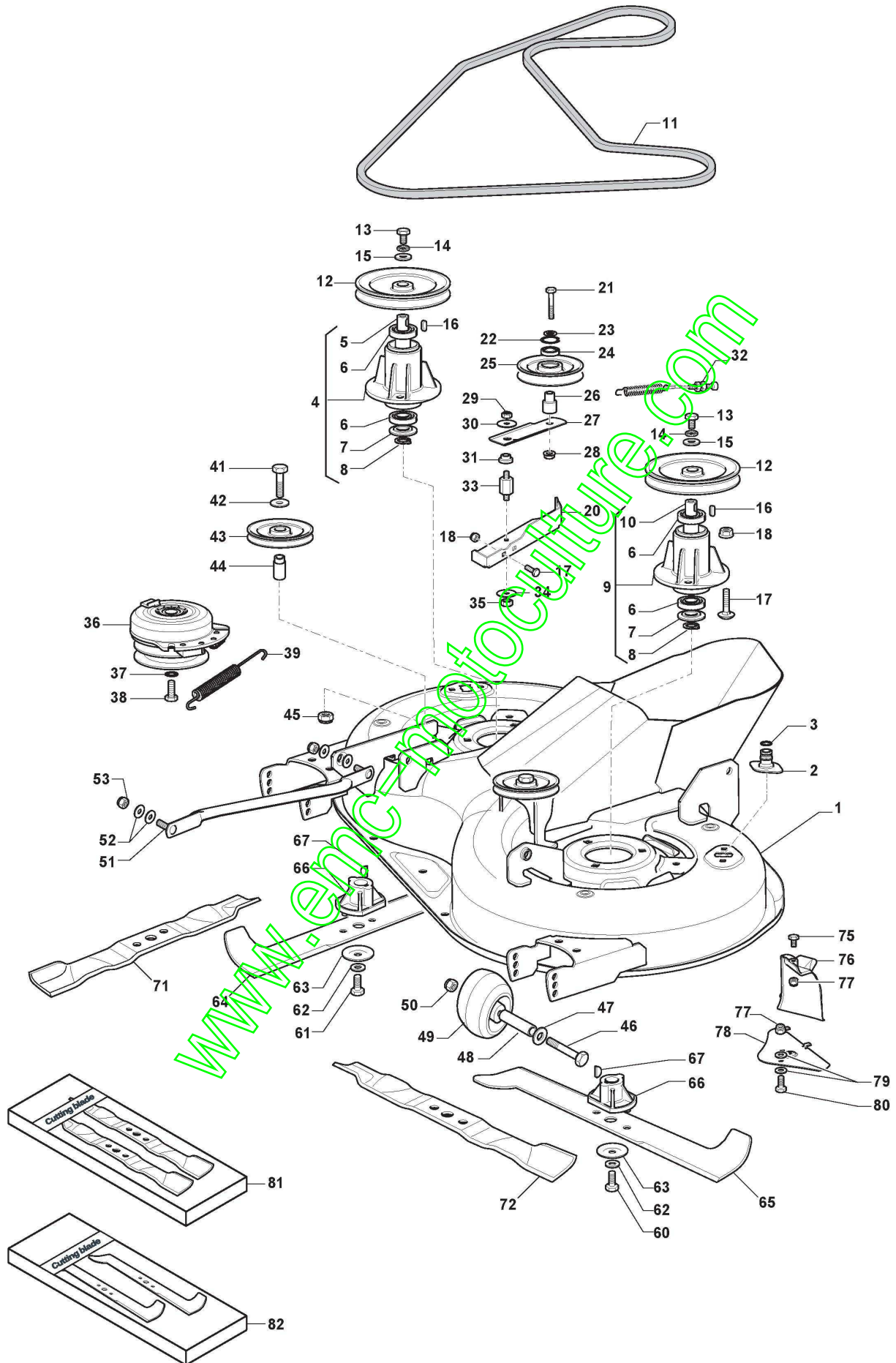
Plateau De Coupe avec Embrayage Electromagnétique



Plateau De Coupe avec Embrayage Electromagnétique

| Réf. N° | Q.té : | Code article | Description | Articles | De | Jusqu'à |
|---------|--------|--------------|-----------------------|--|----|---------|
| 1 | 1 | 382564113/0 | Plateau De Coupe Noir | | | |
| 2 | 2 | 325033086/0 | Raccord Tuyau D'Eau | | | |
| 3 | 2 | 119035000/0 | Joint Or | | | |
| 4 | 1 | 382207205/0 | Ensamble Bride | To 31-August-2015 | | |
| 4 | 1 | 382207205/1 | Ensamble Bride | From 01-September-2015 | | |
| 5 | 1 | 125020805/0 | Arbre | | | |
| 6 | 4 | 119216040/0 | Roulement | To 31-August-2018 | | |
| 6 | 4 | 119216047/0 | Roulement | From 01-September-2018 | | |
| 7 | 2 | 325160501/0 | Protege-Poussiere | To 31-december-2018 | | |
| 7 | 2 | 325160501/1 | Protege-Poussiere | From 01-January-2019 | | |
| 8 | 2 | 112609260/0 | Seeger | | | |
| 9 | 1 | 382207204/1 | Ensamble Bride | From 01-September-2016 | | |
| 9 | 1 | 382207206/0 | Ensamble Bride | To 31-August-2015 | | |
| 9 | 1 | 382207206/1 | Ensamble Bride | From 01-September-2015 To 31-August-2016 | | |
| 10 | 1 | 125020804/0 | Arbre | | | |
| 11 | 1 | 135061508/0 | Courroie | | | |
| 12 | 2 | 125601585/1 | Poulie | | | |
| 13 | 2 | 112793102/0 | Vis | | | |
| 14 | 2 | 112540260/0 | Rondelle | | | |
| 15 | 2 | 125670007/0 | Rondelle | | | |
| 16 | 2 | 112139480/0 | Clavette | | | |
| 17 | 6 | 112818690/0 | Vis | | | |
| 18 | 6 | 112154210/0 | Ecrou | | | |
| 20 | 1 | 325785391/0 | Etrier | | | |
| 21 | 1 | 112691400/0 | Vis | | | |
| 22 | 1 | 112524010/0 | Rondelle | | | |
| 23 | 1 | 112610800/0 | Anneau Ressort | | | |
| 24 | 1 | 119216041/0 | Roulement | To 31-August-2018 | | |
| 24 | 1 | 119216048/0 | Roulement | From 01-September-2018 | | |
| 25 | 1 | 125601595/0 | Poulie | | | |
| 26 | 1 | 125160052/0 | Entretoise | | | |
| 27 | 1 | 325318289/0 | Levier | | | |
| 28 | 1 | 112293201/0 | Ecrou | | | |
| 29 | 1 | 112155020/0 | Ecrou | | | |
| 30 | 1 | 125670022/0 | Rondelle | | | |
| 31 | 1 | 125040635/0 | Douille | | | |
| 32 | 1 | 382004618/0 | Fil | | | |
| 33 | 1 | 125160049/0 | Entretoise | | | |
| 34 | 1 | 112523080/0 | Rondelle | | | |
| 35 | 1 | 112156602/0 | Ecrou | | | |
| 36 | 1 | 118399069/0 | Friction | | | |
| 37 | 1 | 112543000/0 | Rondelle | | | |
| 38 | 1 | 112737320/0 | Vis | | | |
| 39 | 1 | 125430277/0 | Ressort | | | |
| 41 | 2 | 112691115/0 | Vis | | | |
| 42 | 2 | 112523060/0 | Rondelle | | | |
| 43 | 2 | 125601555/0 | Poulie | To 31-August-2013 | | |
| 43 | 2 | 325601599/0 | Poulie | From 01-September-2013 | | |

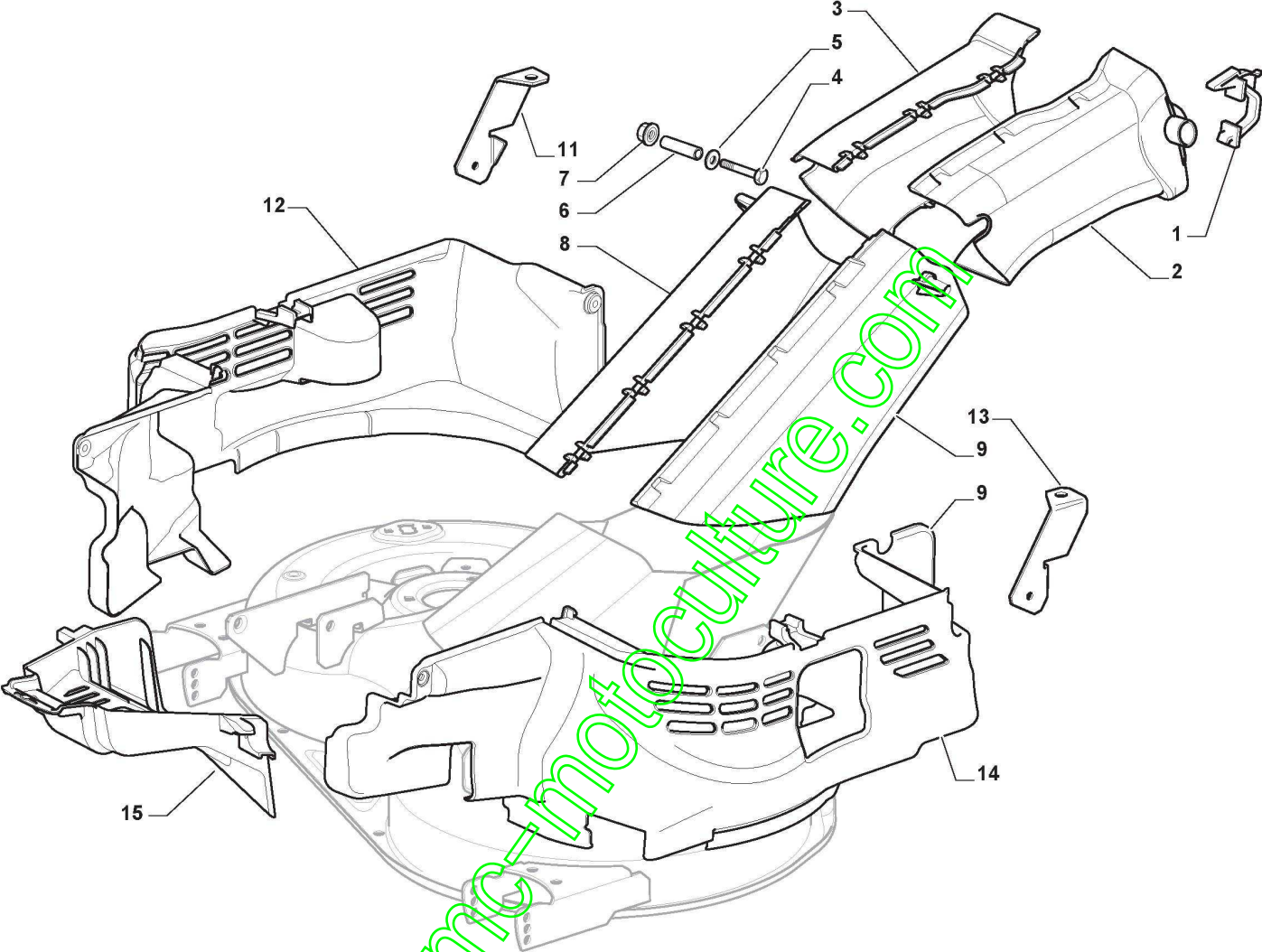
Plateau De Coupe avec Embrayage Electromagnétique



Plateau De Coupe avec Embrayage Electromagnétique

| Réf. N° | Q.té : | Code article | Description | Articles | De | Jusqu'à |
|---------|--------|--------------|--------------------------|---|----|---------|
| 44 | 2 | 125160069/0 | Entretoise | To S/N 00088193 | | |
| 44 | 2 | 125160082/0 | Entretoise | From S/N 00088194 To S/N 19LA3RON007423 | | |
| 44 | 2 | 125160110/0 | Entretoise | From S/N 19FA3RON000413 | | |
| 45 | 2 | 112155000/0 | Ecrou | | | |
| 46 | 2 | 112692100/0 | Vis | | | |
| 47 | 2 | 112521350/0 | Rondelle | | | |
| 48 | 2 | 125160072/0 | Entretoise | | | |
| 49 | 2 | 182700005/0 | Roulettes Antiscalp Ø 90 | | | |
| 50 | 2 | 112293201/0 | Ecrou | | | |
| 51 | 2 | 382000565/0 | Tige Balancier | To 31-August-2016 | | |
| 51 | 2 | 382000565/1 | Tige Balancier | From 01-September-2016 | | |
| 52 | 8 | 325670008/1 | Rondelle | | | |
| 53 | 4 | 112156602/0 | Ecrou | | | |
| 60 | 1 | 112735694/0 | Vis | | | |
| 61 | 1 | 112735695/1 | Vis | | | |
| 62 | 2 | 112523080/0 | Rondelle | | | |
| 63 | 2 | 122160400/0 | Disque Elastique | | | |
| 64 | 1 | 182004358/0 | Lame Droit, Aillettee | | | |
| 65 | 1 | 182004359/0 | Lame Gauche, Aillettee | | | |
| 66 | 2 | 1134-9159-01 | Moyeu Lame | with STIGA Pack | | |
| 66 | 2 | 125463200/0 | Moyeu Lame | without Pack | | |
| 67 | 2 | 112139100/0 | Languette | | | |
| 71 | 1 | 182004360/0 | Lame Droit Mulching | | | |
| 72 | 1 | 182004361/0 | Lame Gauche Mulching | | | |
| 75 | 3 | 112791213/1 | Vis | | | |
| 76 | 1 | 325140108/0 | Deflecteur | | | |
| 77 | 4 | 112154510/0 | Ecrou | | | |
| 78 | 1 | 325785418/0 | Support | | | |
| 79 | 4 | 112523040/0 | Rondelle | | | |
| 80 | 1 | 112790781/0 | Vis | | | |
| 81 | 1 | 1134-9221-01 | Lames, Mulching | Stiga Packed into 182004360/0 + 182004361/0 | | |
| 82 | 1 | 1134-9220-01 | Lames, Aillettee | Stiga Packed into 182004358/0 + 182004359/0 | | |

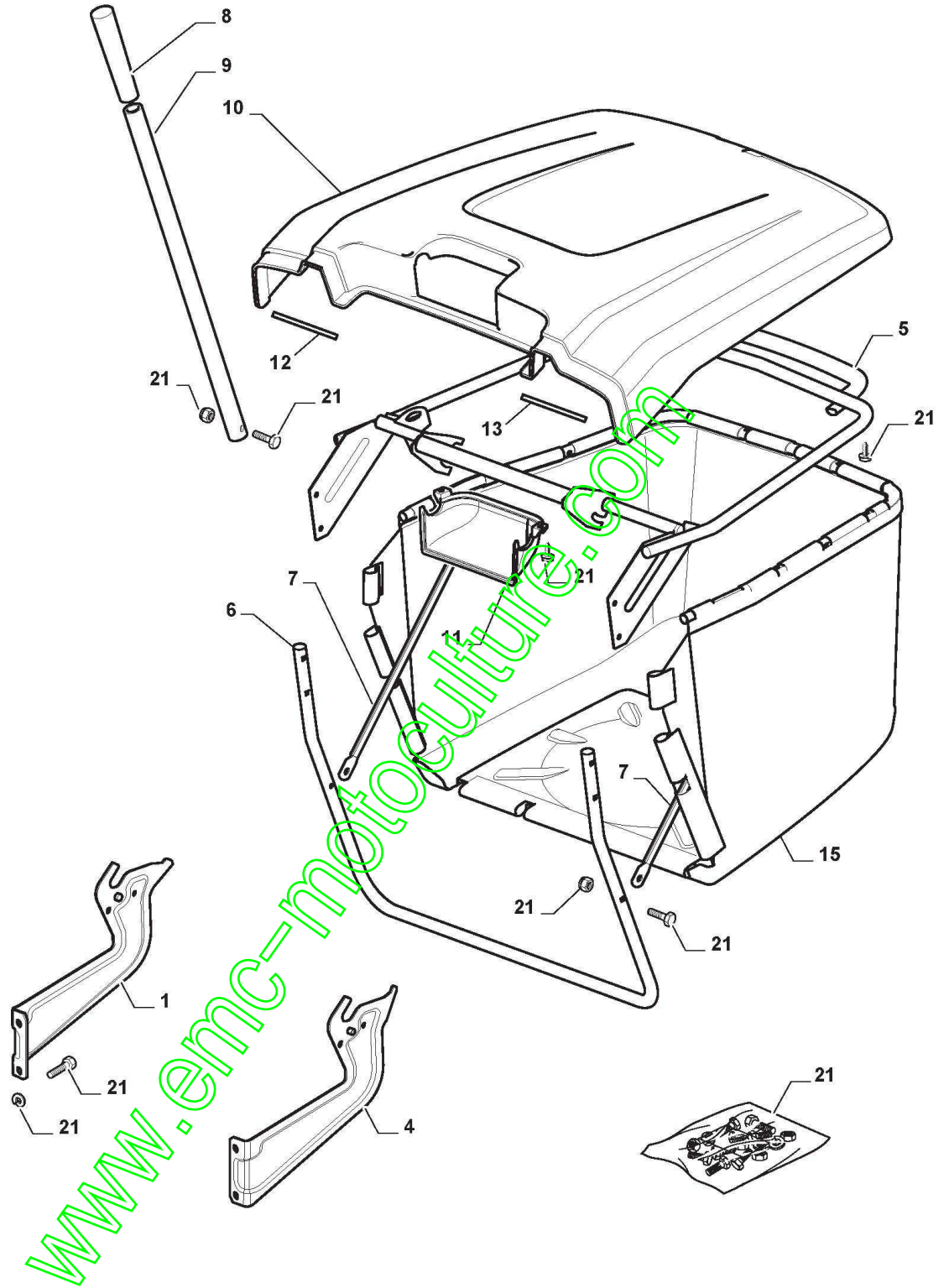
www.emc-motoculture.com



Protections

| Réf. N° | Q.té : | Code article | Description | Articles | De | Jusqu'à |
|---------|--------|--------------|-------------|----------|----|---------|
| 1 | 2 | 325774499/0 | Etrier | | | |
| 2 | 1 | 325108057/0 | Convoyeur | | | |
| 3 | 1 | 325108056/0 | Convoyeur | | | |
| 4 | 2 | 112792425/0 | Vis | | | |
| 5 | 2 | 112521330/0 | Rondelle | | | |
| 6 | 2 | 125160071/0 | Entretoise | | | |
| 7 | 2 | 112292102/0 | Ecrou | | | |
| 8 | 1 | 325108064/0 | Convoyeur | | | |
| 9 | 1 | 325108065/0 | Convoyeur | | | |
| 11 | 1 | 325774527/0 | Etrier | | | |
| 12 | 1 | 325060168/0 | Carter | | | |
| 13 | 1 | 325774529/0 | Etrier | | | |
| 14 | 1 | 325060169/0 | Carter | | | |
| 15 | 1 | 325060166/0 | Protection | | | |

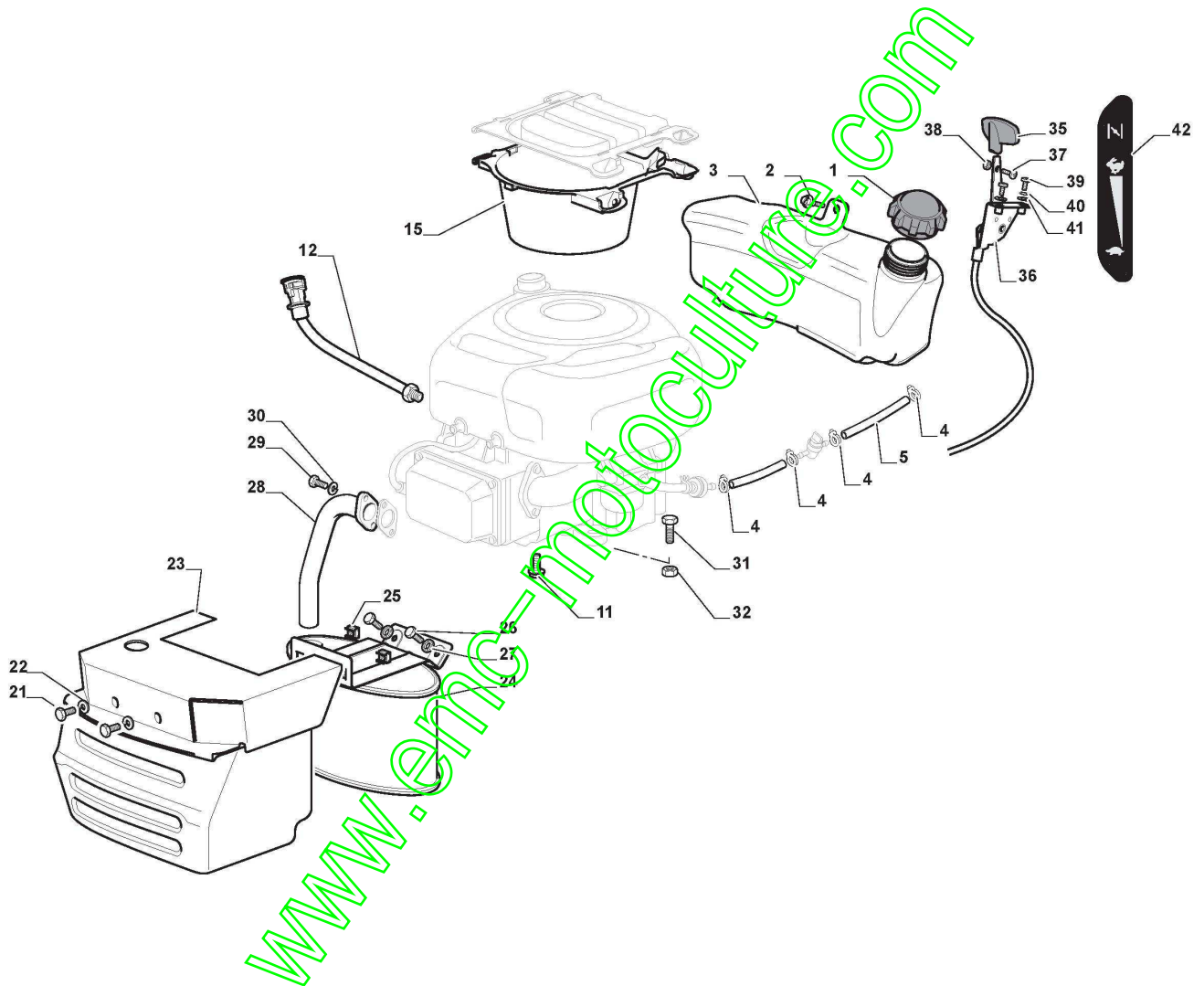
www.emc-motoculture.com



Bac

| Réf. N° | Q.té : | Code article | Description | Articles | De | Jusqu'à |
|---------|--------|--------------|-------------------|------------------------|----|---------|
| 1 | 1 | 325785377/0 | Support | | | |
| 4 | 1 | 325785383/0 | Support | | | |
| 5 | 1 | 382800139/0 | Chassis Superieur | | | |
| 6 | 1 | 382800141/0 | Chassis Avant | | | |
| 7 | 2 | 325650149/0 | Renforcement | | | |
| 8 | 1 | 125394508/0 | Poignée | | | |
| 9 | 1 | 325869087/0 | Tige | | | |
| 10 | 1 | 325110439/0 | Couvre-Bac Jaune | To 31-August-2017 | | |
| 10 | 1 | 325110439/1 | Couvre-Bac Jaune | From 01-September-2017 | | |
| 11 | 1 | 325207195/0 | Couvre-Poignee | | | |
| 12 | 1 | 125270802/0 | Garniture | | | |
| 13 | 1 | 125270803/0 | Garniture | | | |
| 15 | 1 | 182105936/0 | Bac | Black with Stiga Logo | | |
| 21 | 1 | 382180123/0 | Dotation Visserie | | | |

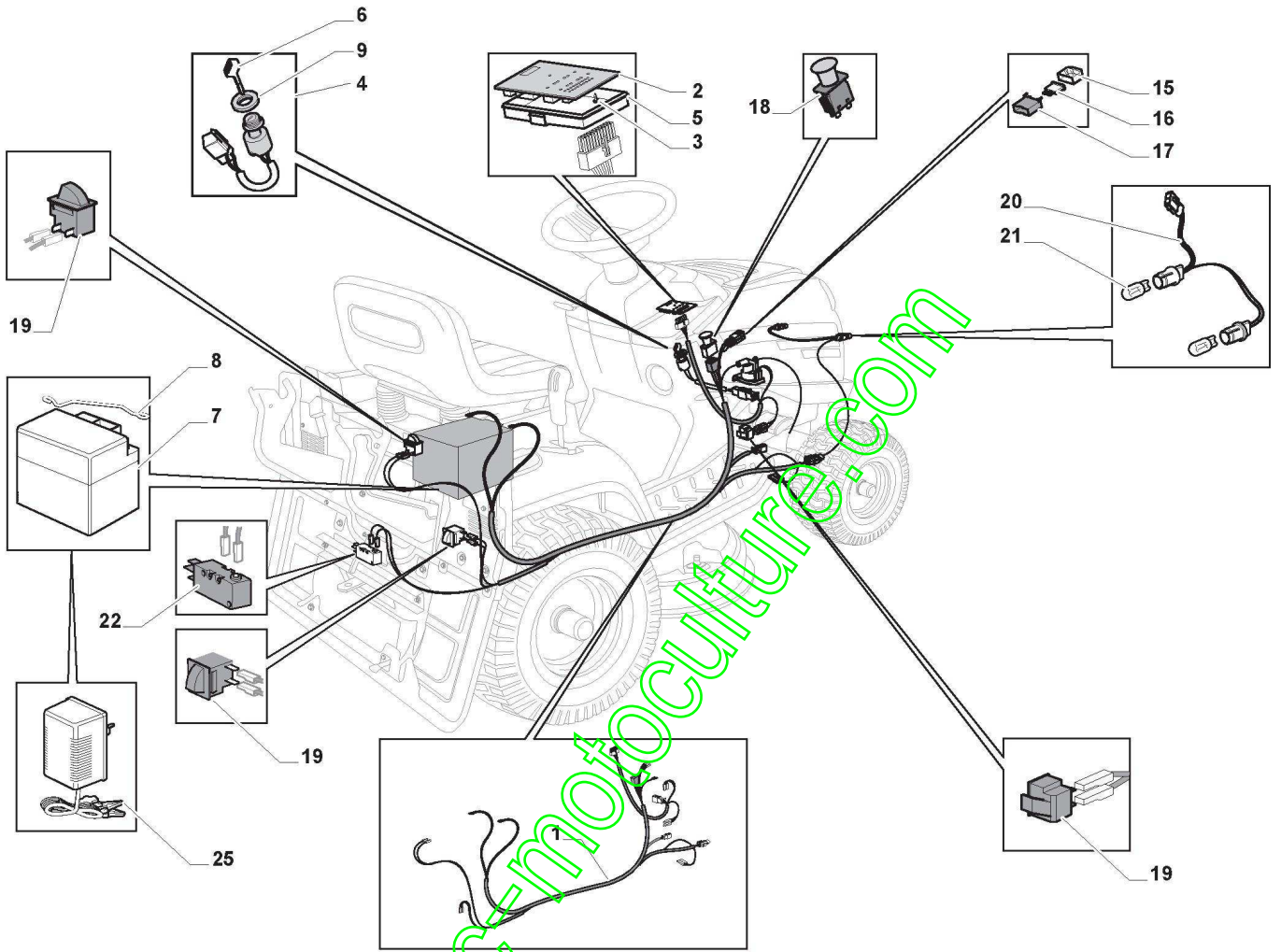
www.emc-motoculture.com



Moteur - B&S

| Réf. N° | Q.té : | Code article | Description | Articles | De | Jusqu'à |
|---------|--------|--------------|-----------------------------|------------------------|----|---------|
| 1 | 1 | 125795001/1 | Bouchon | | | |
| 2 | 4 | 125943010/0 | Vis | | | |
| 3 | 1 | 325735126/0 | Réservoir à carburant | | | |
| 4 | 4 | 118375051/1 | Fixation De Cable | | | |
| 5 | 1 | 325869057/0 | Tube De Connexion | | | |
| 11 | 3 | 112735108/1 | Vis | | | |
| 12 | 1 | 125598050/0 | Rallonge Dechargement Huile | | | |
| 13 | 1 | 118401001/1 | Garniture | | | |
| 14 | 1 | 118737849/0 | Bouchon | | | |
| 15 | 1 | 325108044/0 | Convoyeur | To 31-August-2010 | | |
| 15 | 1 | 325108044/1 | Convoyeur | From 01-September-2010 | | |
| 21 | 2 | 112792611/0 | Vis | | | |
| 22 | 2 | 112540260/0 | Rondelle | | | |
| 23 | 1 | 382598047/0 | Protection Silencieux | | | |
| 24 | 1 | 182750010/0 | Silencieux | | | |
| 25 | 2 | 112360425/0 | Ecrou | | | |
| 26 | 2 | 112792611/0 | Vis | | | |
| 27 | 2 | 112540260/0 | Rondelle | | | |
| 28 | 1 | 118738224/0 | Tube De Echappement | | | |
| 29 | 2 | 112737450/0 | Vis | | | |
| 30 | 2 | 112540260/0 | Rondelle | | | |
| 31 | 1 | 112691115/0 | Vis | | | |
| 32 | 3 | 112154210/0 | Ecrou | | | |
| 35 | 1 | 325394531/0 | Poignée | | | |
| 36 | 1 | 182000216/0 | Accelérateur | | | |
| 37 | 1 | 112726389/0 | Vis | | | |
| 38 | 1 | 112290800/0 | Ecrou | | | |
| 39 | 2 | 112726389/0 | Vis | | | |
| 40 | 2 | 112540020/0 | Rondelle | | | |
| 41 | 2 | 112521310/0 | Rondelle | | | |
| 42 | 1 | 114363697/0 | Etiquette | | | |

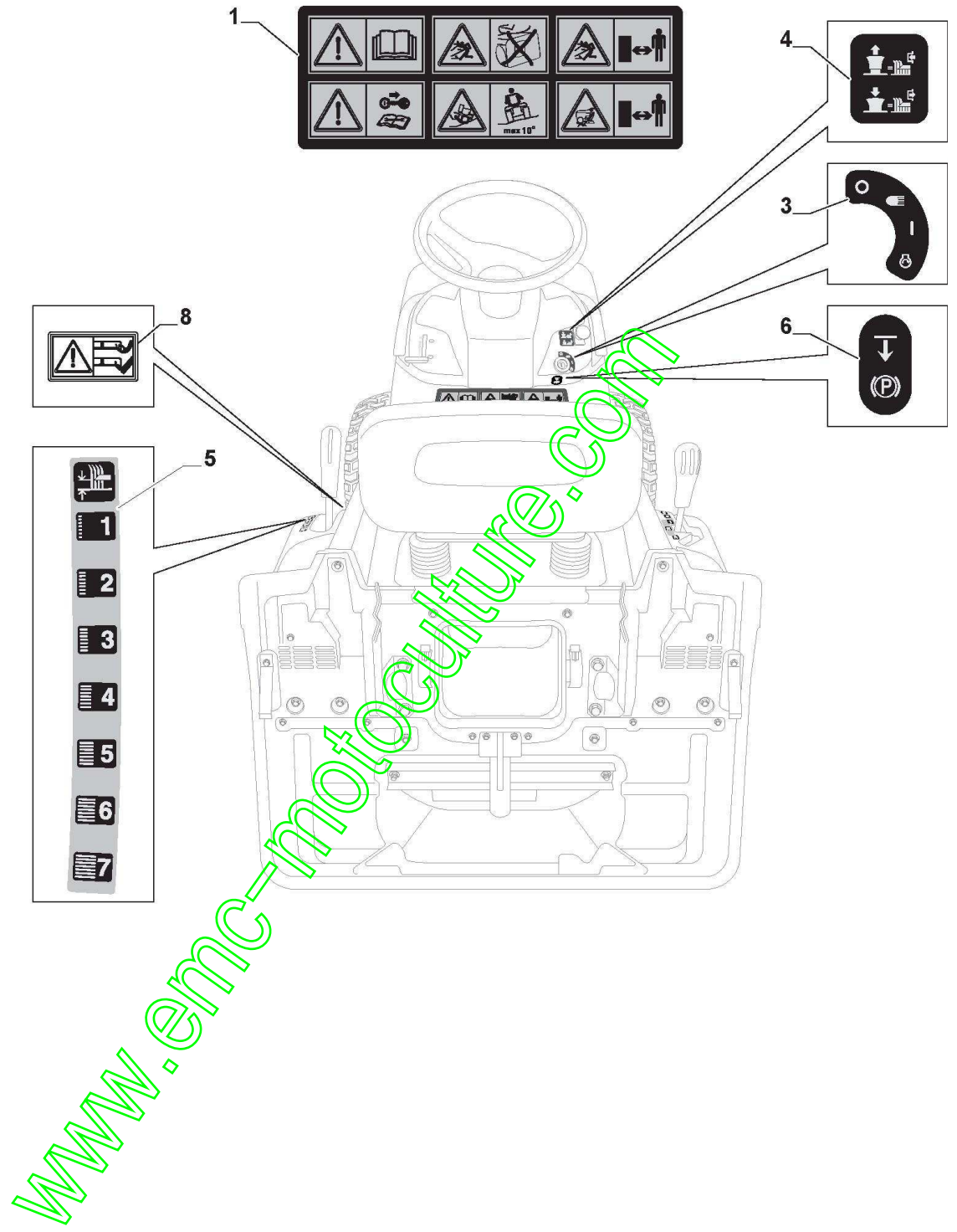
www.emc-motoculture.com



Parties Electriques

| Réf. N° | Q.té : | Code article | Description | Articles | De | Jusqu'à |
|---------|--------|--------------|---|-------------------|----|---------|
| 1 | 1 | 182040183/0 | Ens. Cablages | for Mecch. Models | | |
| 2 | 1 | 125722437/0 | Carte Electronique | | | |
| 3 | 1 | 112735101/0 | Vis | | | |
| 4 | 1 | 118450075/0 | Interrupteur Demarrage | | | |
| 5 | 1 | 325600090/0 | Protection De Carte | | | |
| 6 | 1 | 118210023/0 | Clef A Demarrage | | | |
| 7 | 1 | 118120002/1 | Batterie | | | |
| 8 | 1 | 125430265/1 | Ressort | | | |
| 9 | 1 | 118400863/0 | Manchon Expansible | | | |
| 15 | 2 | 133215000/0 | Couvercle | | | |
| 16 | 1 | 133340036/0 | Fusible 25 A | | | |
| 16 | 1 | 133340040/0 | Fusible 10 A | | | |
| 17 | 2 | 133500007/0 | Tableau De Fusible | | | |
| 18 | 1 | 118450074/0 | Interrupteur Embrajage | | | |
| 19 | 3 | 119410613/0 | Microinterrupteur | | | |
| 20 | 1 | 182040186/0 | Cables | for Lamp models | | |
| 21 | 2 | 118459100/0 | Ampoule De Phares | | | |
| 22 | 1 | 119410605/1 | Microinterrupteur | | | |
| 25 | 1 | 182180090/0 | Chargeur De Batteries 12V 1A - CE Plugg | CE Plugg | | |

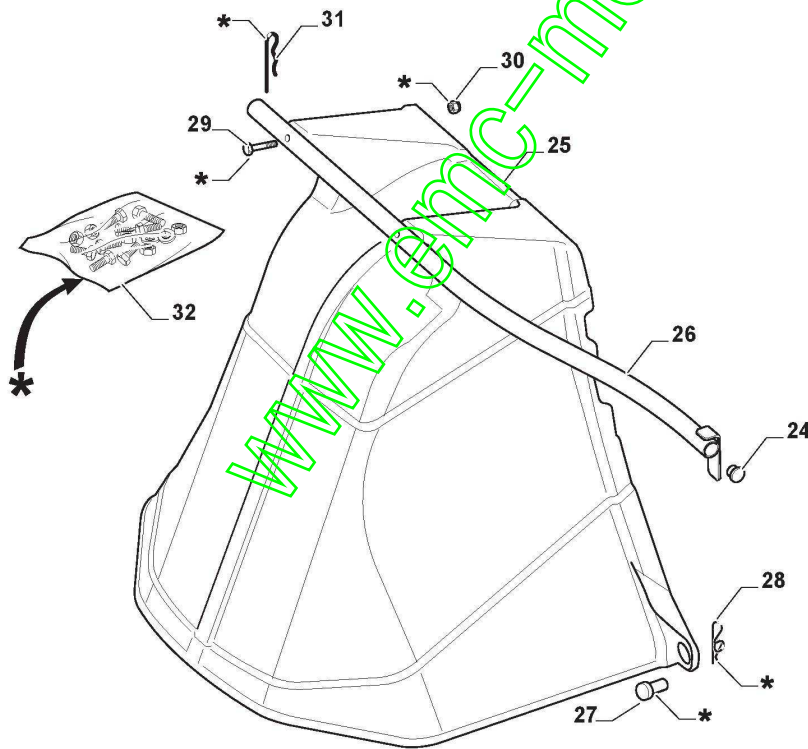
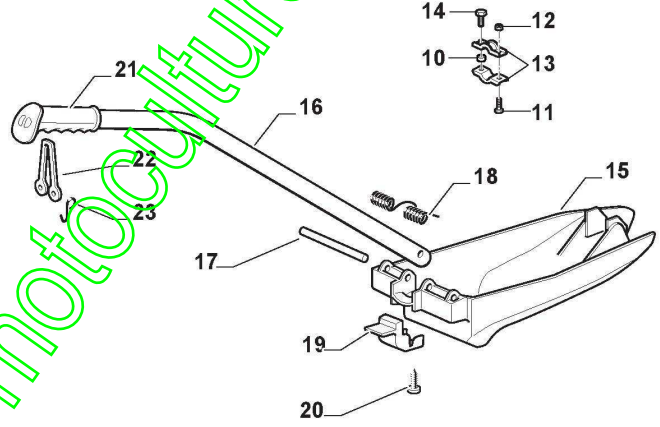
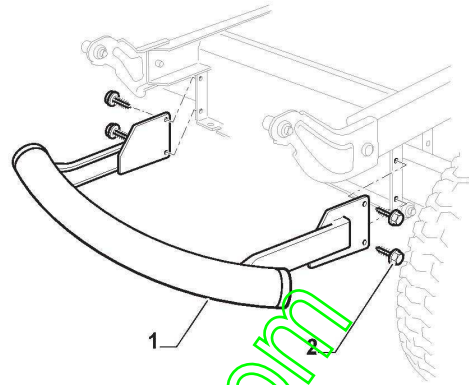
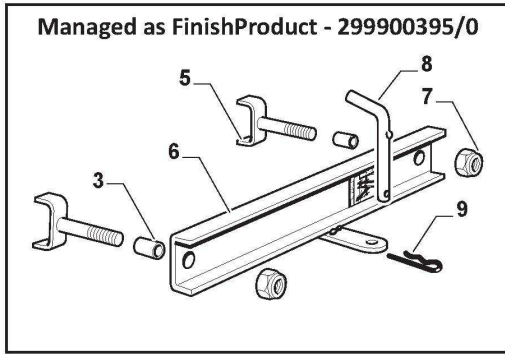
www.emc-motoculture.com



Etiquettes

| Réf. N° | Q.té : | Code article | Description | Articles | De | Jusqu'à |
|---------|--------|--------------|-------------------------------|------------------------|----|---------|
| 1 | 1 | 114361553/1 | Étiquette D'Avertissement | | | |
| 3 | 1 | 114363699/0 | Etiquette | | | |
| 4 | 1 | 114361438/0 | Etiquette | | | |
| 5 | 1 | 114363701/0 | Etiquette | To 31-August-2014 | | |
| 5 | 1 | 114366142/0 | Etikett | From 01-September-2014 | | |
| 6 | 1 | 114363700/0 | Etiquette | | | |
| 8 | 1 | 114356699/1 | Etiquette De Plaque De Danger | | | |

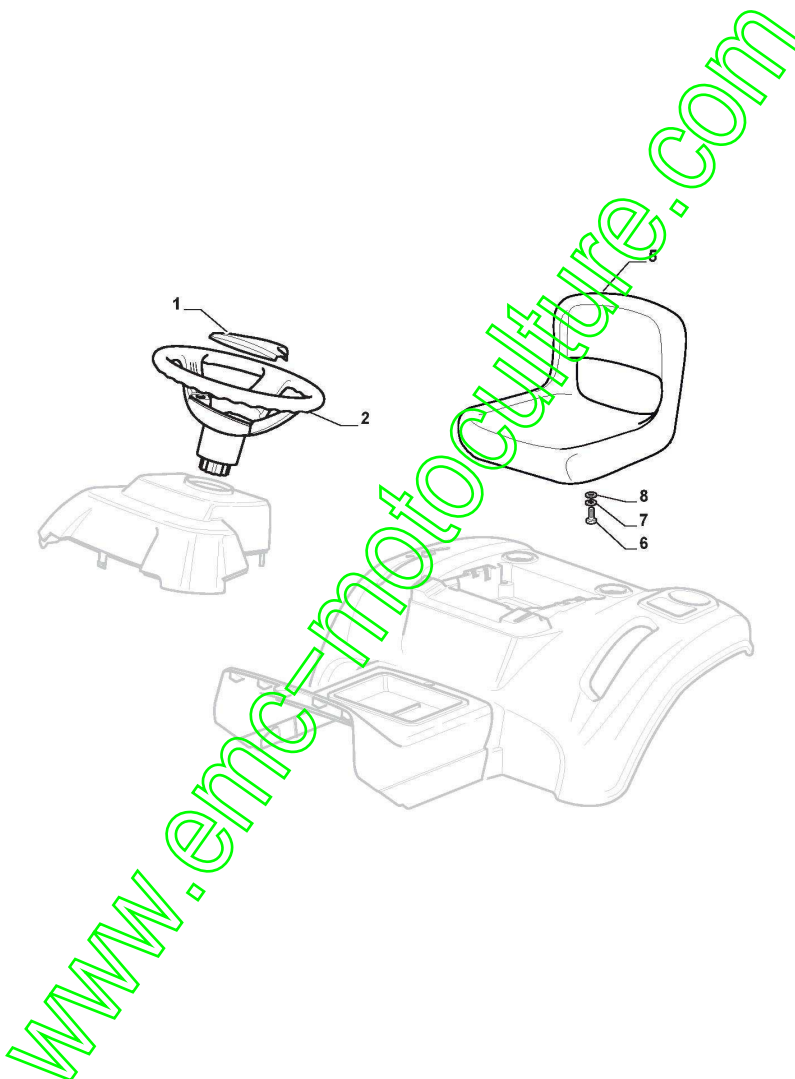
www.emc-motoculture.com



Accessoires Sur Demande

| Réf. N° | Q.té : | Code article | Description | Articles | De | Jusqu'à |
|---------|--------|--------------|-----------------------------|--------------------------|----|---------|
| 1 | 1 | 382869038/0 | Protection Silencieux | | | |
| 2 | 4 | 125943008/0 | Vis | | | |
| 3 | 2 | 125160074/0 | Entretoise | To S/N 19JA3RON001409 | | |
| 3 | 2 | 125160108/0 | Entretoise | From S/N 19EA3RON000756 | | |
| 5 | 2 | 382650211/0 | Renforcement | | | |
| 6 | 1 | 382033119/0 | Barre De Trainage | Available on 299900395/0 | | |
| 7 | 2 | 112155000/0 | Ecrou | | | |
| 8 | 1 | 125510021/1 | Pivot | | | |
| 9 | 1 | 124487999/0 | Goupille | | | |
| 10 | 1 | 122170600/0 | Entretoise | | | |
| 11 | 1 | 112792099/0 | Vis | | | |
| 12 | 3 | 112292102/0 | Ecrou | | | |
| 13 | 2 | 327546015/2 | Plaquette | | | |
| 14 | 1 | 112791400/0 | Vis | | | |
| 15 | 1 | 325140104/0 | Deflecteur | To 31-August-2013 | | |
| 15 | 1 | 325140104/1 | Deflecteur | From 01-September-2013 | | |
| 16 | 1 | 325394021/0 | Guidon | | | |
| 17 | 1 | 125510077/0 | Pivot | | | |
| 18 | 1 | 125430245/0 | Ressort | | | |
| 19 | 1 | 325547320/0 | Plaque | | | |
| 20 | 1 | 112735403/0 | Vis | | | |
| 21 | 1 | 325280000/1 | Branche | | | |
| 22 | 1 | 125840011/1 | Tirant | | | |
| 23 | 2 | 125253004/0 | Crochet Fixage Kit Mulching | | | |
| 24 | 2 | 118566112/0 | Bouchon Tube Guidon | | | |
| 25 | 1 | 325600093/0 | Protection Sortie | To 31-August-2017 | | |
| 25 | 1 | 325600093/1 | Protection Sortie | From 01-September-2017 | | |
| 26 | 1 | 382869044/0 | Support | | | |
| 27 | 2 | 125510022/1 | Pivot | | | |
| 28 | 2 | 124487998/0 | Goupille | | | |
| 29 | 2 | 112689515/0 | Vis | | | |
| 30 | 2 | 112154510/0 | Ecrou | | | |
| 31 | 1 | 124487999/0 | Goupille | | | |
| 32 | 1 | 382180028/0 | Dotation Visserie | | | |

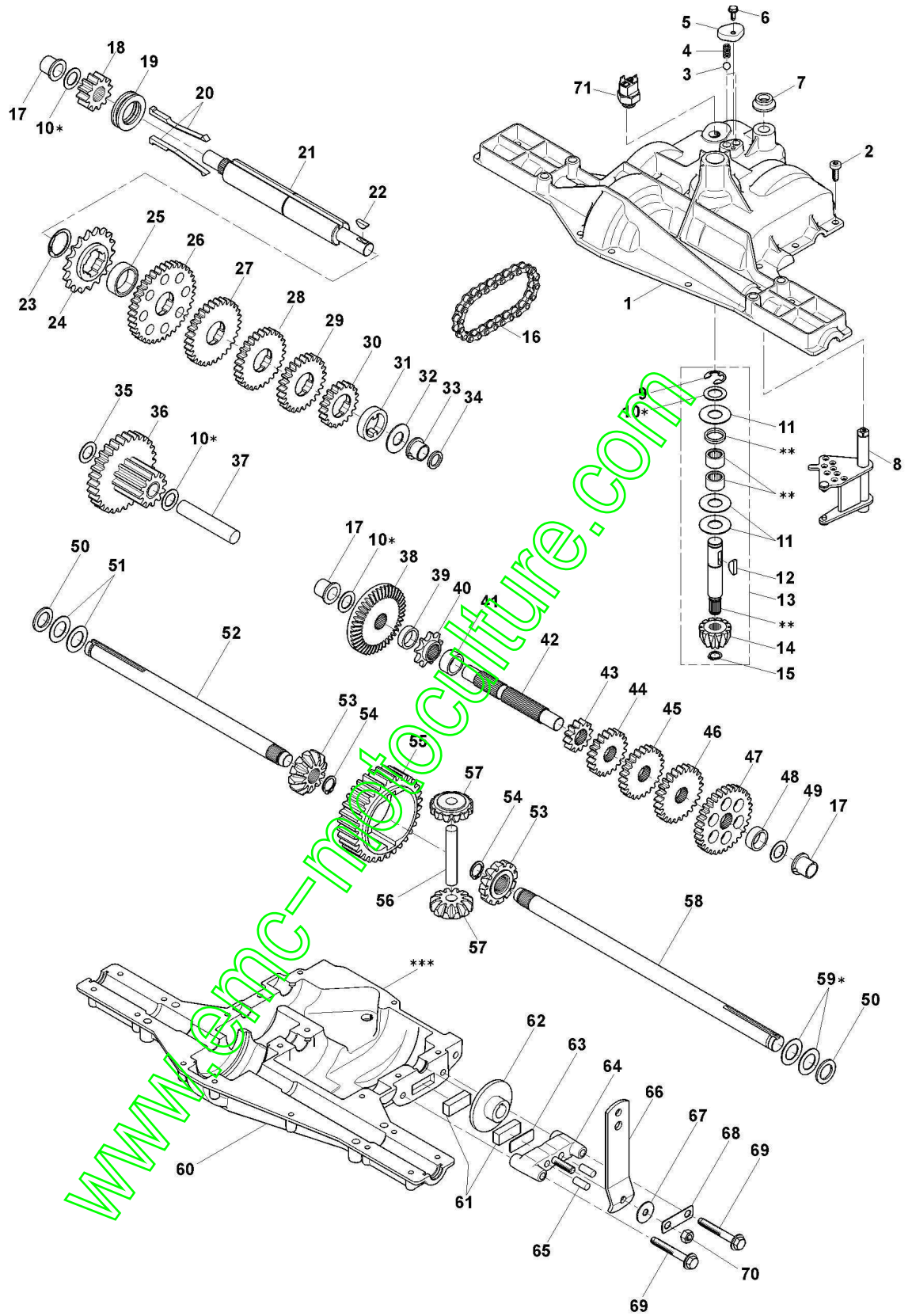
www.emc-motoculture.com



Siege & Volant

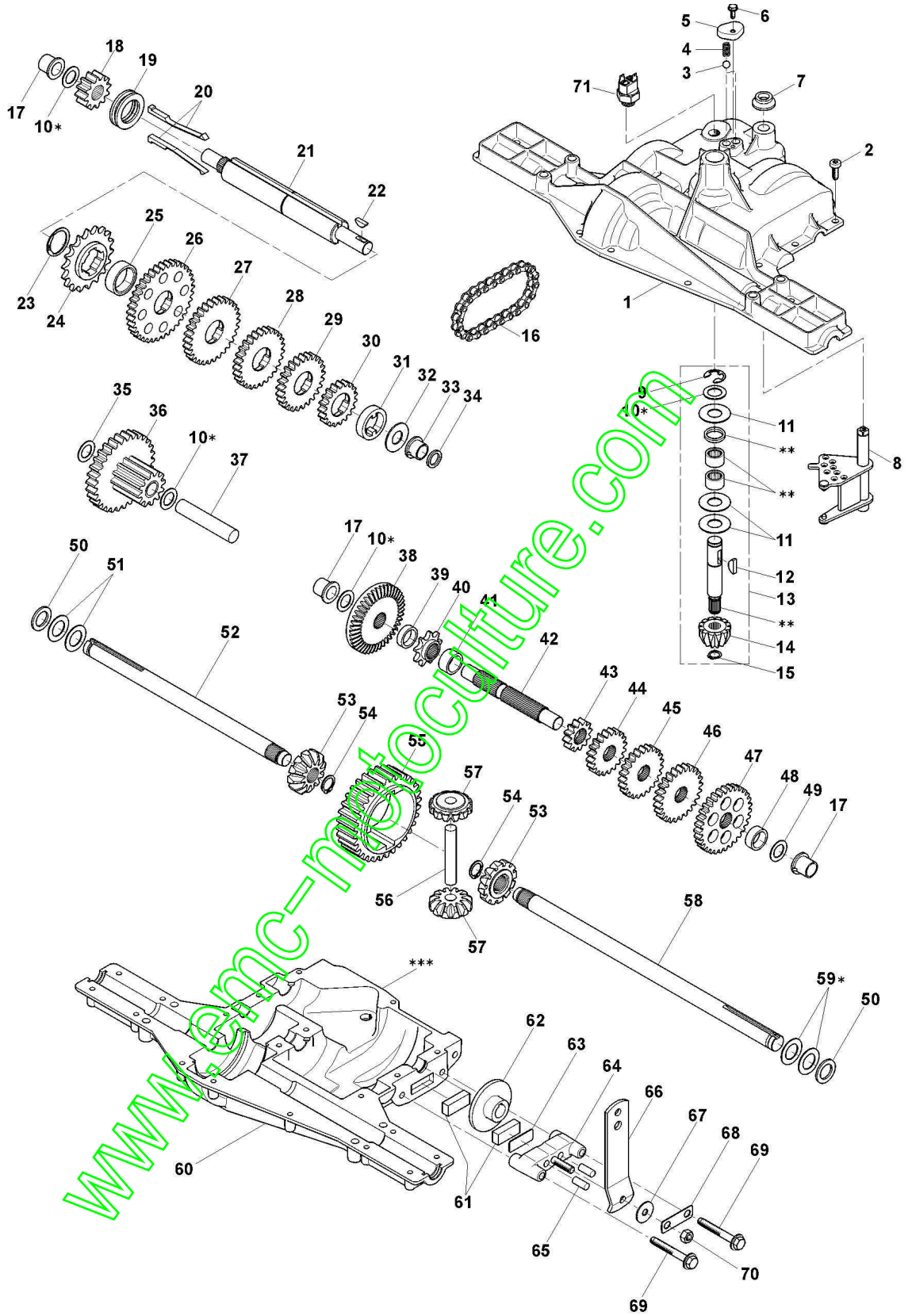
| Réf. N° | Q.té : | Code article | Description | Articles | De | Jusqu'à |
|---------|--------|--------------|---------------|------------------------|----|---------|
| 1 | 1 | 325580504/0 | Plaque Volant | | | |
| 2 | 1 | 325961219/0 | Volant | | | |
| 5 | 1 | 125722456/0 | Siege | To 31-August-2017 | | |
| 5 | 1 | 125722477/0 | Siege | From 01-September-2017 | | |
| 6 | 4 | 112792611/0 | Vis | | | |
| 7 | 4 | 112540260/0 | Rondelle | | | |
| 8 | 4 | 112523060/0 | Rondelle | | | |

www.emc-motoculture.com



Transmission

| Réf. N° | Q.té : | Code article | Description | Articles | De | Jusqu'à |
|---------|--------|--------------|------------------------------|----------|----|---------|
| 1 | 1 | F000-5962-AC | Housing, Upper | | | |
| 2 | 16 | F000-1919-00 | Vis | | | |
| 3 | 2 | F000-5947-00 | Sphère | | | |
| 4 | 2 | F000-5948-00 | Ressort | | | |
| 5 | 1 | F000-5950-00 | Cover, Detent | | | |
| 6 | 1 | F084-0052-00 | Vis | | | |
| 7 | 1 | F000-7010-00 | V-Ring | | | |
| 8 | 1 | F000-6517-00 | Assy, Kit, Shifter | | | |
| 9 | 1 | F000-1106-00 | Ring, Retaining | | | |
| 10 | 4 | F000-4689-00 | Assy, Kit, Shim, .625 Shaft | | | |
| 11 | 3 | F000-3876-00 | Rondelle | | | |
| 12 | 1 | F000-1746-00 | Clé de volant | | | |
| 13 | 1 | F000-6595-00 | Assy, Kit, Input Shaft | | | |
| 14 | 1 | F000-5620-00 | Pinion, Bevel, 12T | | | |
| 15 | 1 | F000-3624-00 | Ring, Retaining | | | |
| 16 | 1 | F000-3625-00 | Chain, 24 Pitches | | | |
| 17 | 3 | F000-5510-00 | Bearing, Flange | | | |
| 18 | 1 | F000-5627-00 | Gear, Spur, 12T | | | |
| 19 | 1 | F000-5303-00 | Collar, Clutch | | | |
| 20 | 1 | F000-4758-00 | Assy, Kit, Clutch Clefs | | | |
| 21 | 1 | F000-5737-00 | Shaft, Intermediate | | | |
| 22 | 1 | F000-1375-00 | Clé de volant | | | |
| 23 | 1 | F000-3627-00 | Ring, Retaining | | | |
| 24 | 1 | F000-3830-00 | Couronne, 18T | | | |
| 25 | 1 | F000-3841-00 | Entretoise | | | |
| 26 | 1 | F000-5365-00 | Gear, Spur, 37T | | | |
| 27 | 1 | F000-3867-00 | Gear, Spur, 30T | | | |
| 28 | 1 | F000-5014-00 | Gear, Spur, 27T | | | |
| 29 | 1 | F000-3783-00 | Gear, Spur, 25T | | | |
| 30 | 1 | F000-5202-00 | Gear, Spur, 19T | | | |
| 31 | 1 | F000-5027-00 | Entretoise | | | |
| 32 | 1 | F000-3628-00 | Rondelle | | | |
| 33 | 1 | F000-5511-00 | Bearing, Flange | | | |
| 34 | 1 | F000-5508-00 | Seal, Oil | | | |
| 35 | 1 | F000-1425-00 | Rondelle | | | |
| 36 | 1 | F000-6358-00 | Assy, Gear, Comb., 12T & 30T | | | |
| 37 | 1 | F000-3967-00 | Shaft, Idler | | | |
| 38 | 1 | F000-7003-00 | Gear, Bevel, 36T | | | |
| 39 | 1 | F000-3630-00 | Entretoise | | | |
| 40 | 1 | F000-3645-00 | Couronne, 9T | | | |
| 41 | 1 | F000-5016-00 | Entretoise | | | |
| 42 | 1 | F000-5015-00 | Arbre Transmission | | | |
| 43 | 1 | F000-5364-00 | Gear, Spur, 12T | | | |
| 44 | 1 | F000-3866-00 | Gear, Spur, 20T | | | |
| 45 | 1 | F000-5013-00 | Gear, Spur, 23T | | | |
| 46 | 1 | F000-3719-00 | Gear, Spur, 25T | | | |
| 47 | 1 | F000-3683-00 | Gear, Spur, 31T | | | |
| 48 | 1 | F000-3714-00 | Entretoise | | | |



Transmission

| Réf. N° | Q.té : | Code article | Description | Articles | De | Jusqu'à |
|---------|--------|--------------|-----------------------------|----------|----|---------|
| 49 | 1 | F000-1145-00 | Rondelle | | | |
| 50 | 2 | F000-5130-00 | Rondelle | | | |
| 51 | 2 | F000-3184-00 | Rondelle | | | |
| 52 | 1 | F000-7070-10 | Axe Roues Gauche | | | |
| 53 | 2 | F000-5622-00 | Gear, Miter, 12T, Splined | | | |
| 54 | 2 | F000-5270-00 | Ring, Retaining | | | |
| 55 | 1 | F000-3839-00 | Gear, Spur, 32T | | | |
| 56 | 1 | F000-3919-00 | Shaft, Cross | | | |
| 57 | 2 | F000-5623-00 | Gear, Miter, 12T, Idler | | | |
| 58 | 1 | F000-7070-20 | Axe Roues Droite | | | |
| 59 | 1 | F000-4691-00 | Assy, Kit, Shim, .750 Shaft | | | |
| 60 | 1 | F000-5304-R0 | Housing, Lower | | | |
| 61 | 2 | F000-7109-00 | Puck, Friction | | | |
| 62 | 1 | F000-5960-00 | Disc, Brake | | | |
| 63 | 1 | F000-3758-00 | Entretoise | | | |
| 64 | 1 | F000-5554-00 | Frein | | | |
| 65 | 2 | F000-3843-00 | Vis sans tête | | | |
| 66 | 1 | F000-7026-00 | Lever, Actuating | | | |
| 67 | 1 | F000-3760-00 | Rondelle | | | |
| 68 | 1 | F000-5555-00 | Bracket, Anti-Rotation | | | |
| 69 | 2 | F000-5562-00 | Vis | | | |
| 70 | 1 | F000-3847-00 | Ecrou | | | |
| 71 | 1 | 119410610/0 | Micro | | | |

www.emc-motoculture.com

www.emc-motoculture.com