



## **Reservdelskatalog Parts Catalogue**

# **COMBI 50 S AE - 80V 5Ah**

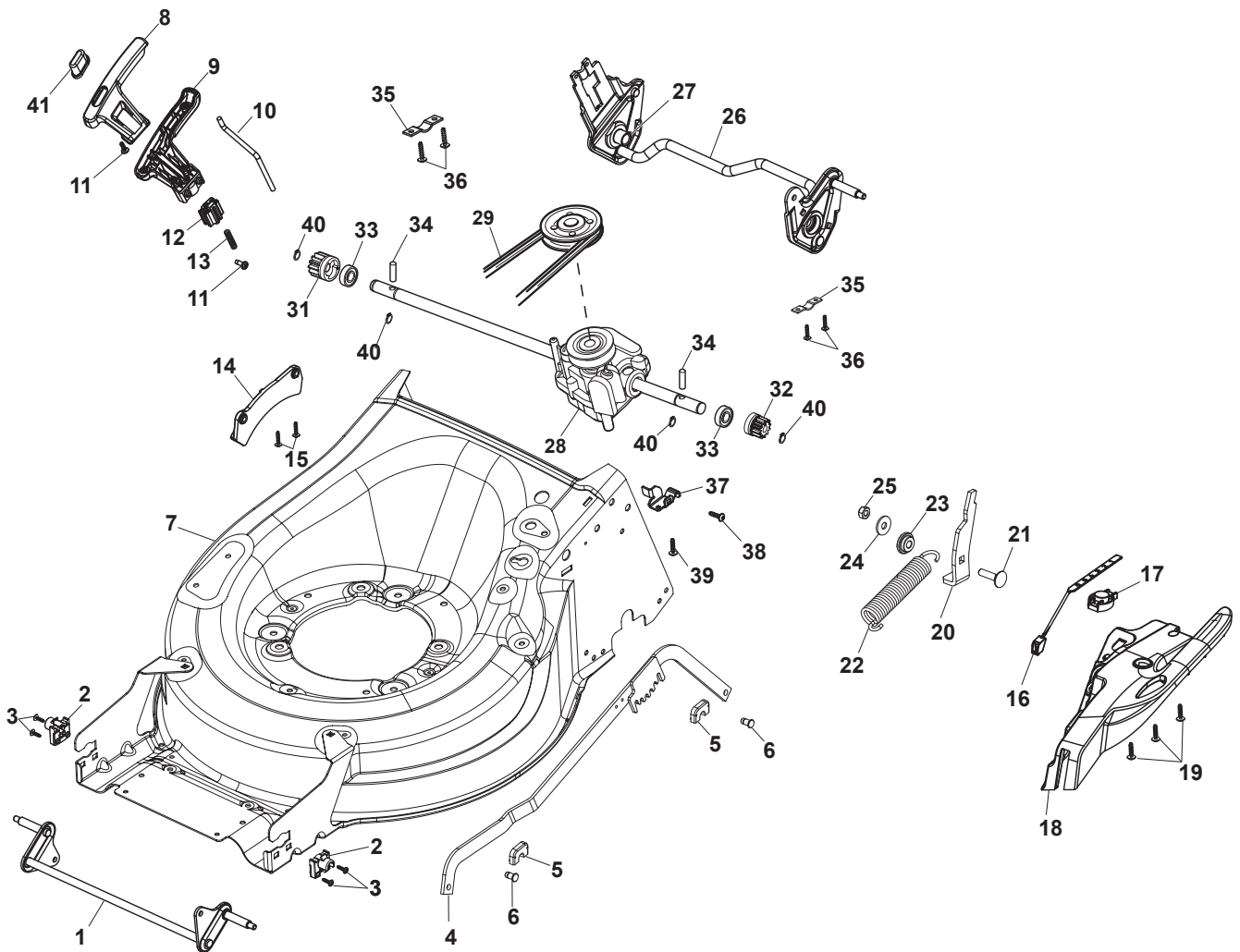
**294506008/S16 - Season 2016**

- Use GLOBAL GARDEN PRODUCT Genuine Spare Parts specified in the parts list for repair and/or replacement.
  - The contents described in the parts list may change due to improvement.
  - The drawings of the spare parts are only indicative and might not represent the part in question exactly.
  - The indications "right" - "left" - "front" - "rear" refer to the position of the operator when using the machine.
- When placing orders of parts for repair and/or replacement, make sure that the illustrated parts list is the one applying to the machine's year of manufacture, as shown on the identification plate attached to the machine.

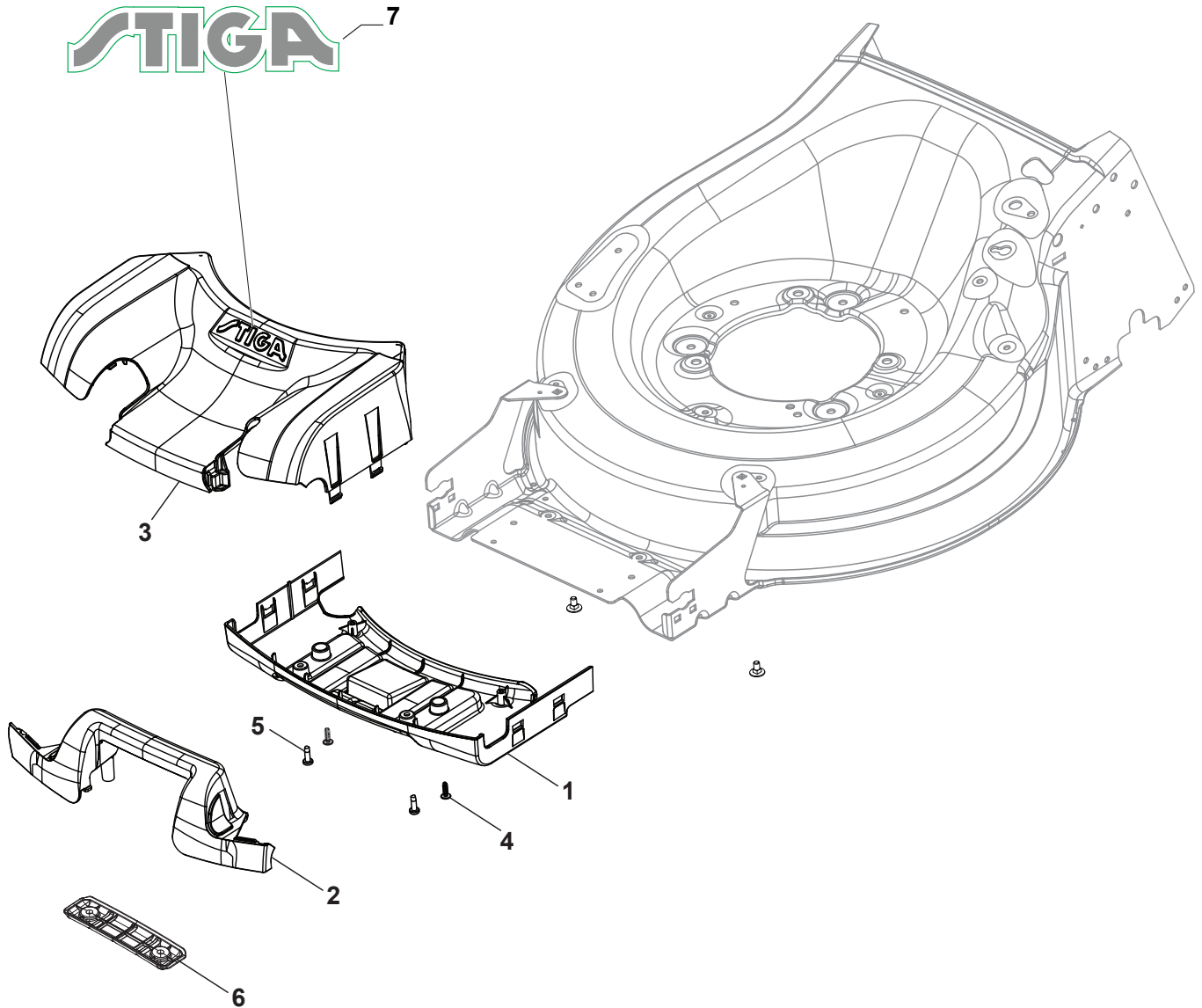
© Copyright 2016 Global Garden Products

All rights reserved. No part of this material may be reproduced or transmitted, in any form or by any means, electronic or mechanical, including photocopying, recording or by any information storage and retrieval system, without permission in writing from GLOBAL GARDEN PRODUCTS.

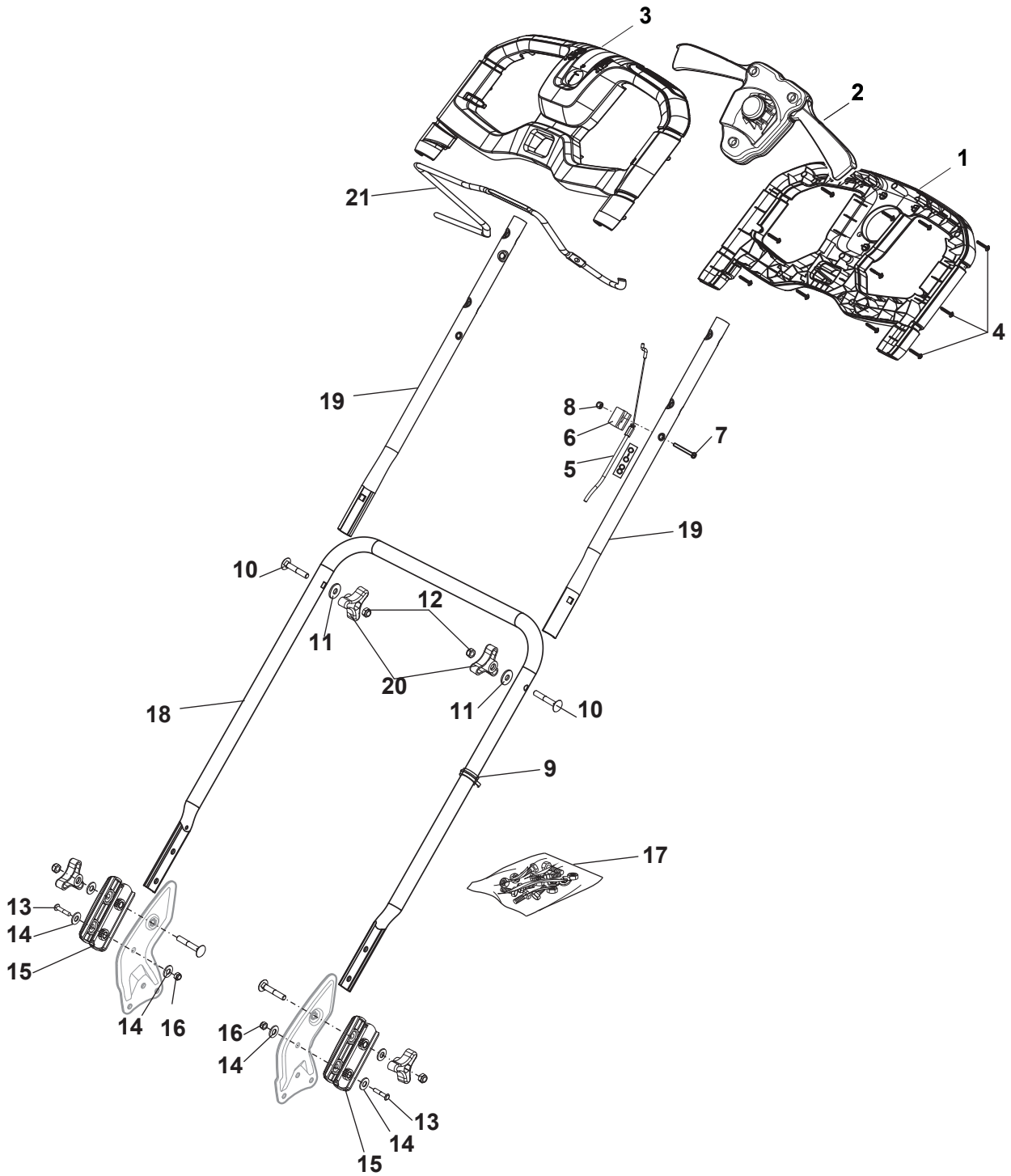
[www.stiga.com](http://www.stiga.com)



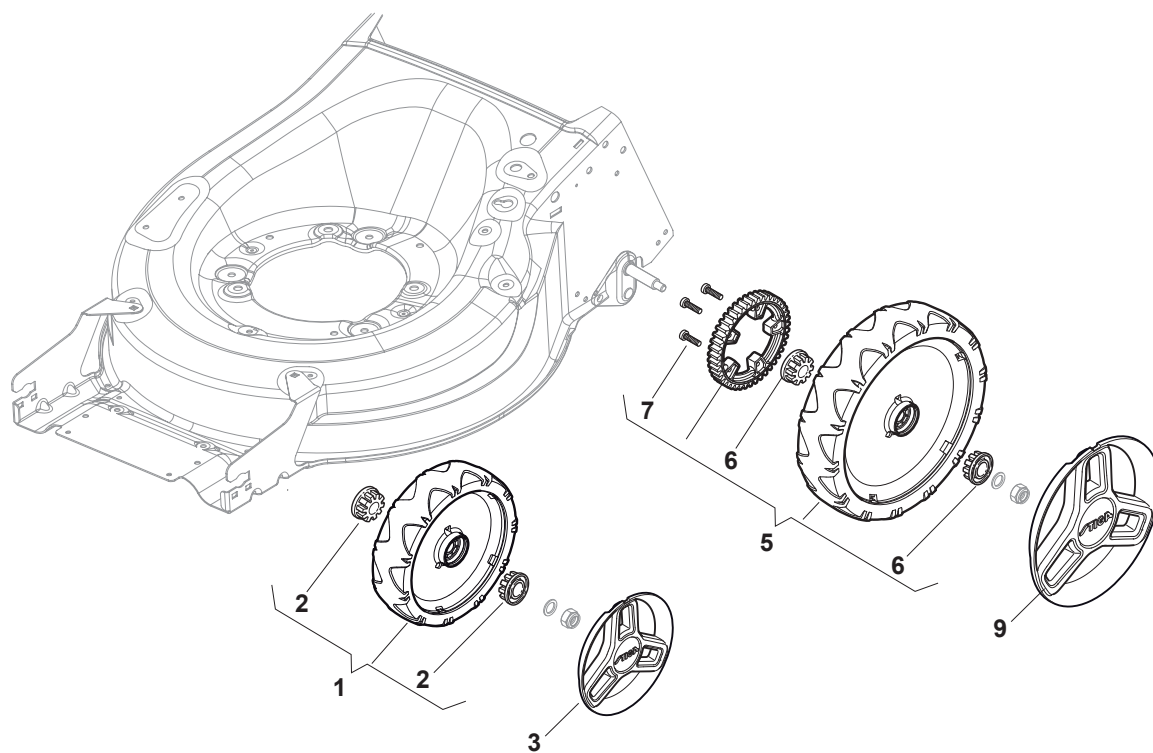
Utgåva Issue 6 - 2016		Kapa och höjdställning		Deck And Height Adjusting	
Pos. Fig.	Antal Q.ty	Art nr Part No	Benämning	Description	Anmärkning Notes
1	1	381302901/0	Hjulaxel-fram	Axle, Front Wheels	
2	2	322785305/1	Stöd	Support	
3	4	112728697/0	Skruv	Screw	
4	1	322869697/0	Justerstag	Adjustment Rod	
5	2	112436051/0	Plat	Plate	
6	2	122519823/0	Stift	Pin	
7	1	381004838/0	Chassi-Grå	Grey Deck	
8	1	322394534/0	Handtag	Upper Handle	Black
9	1	322394535/0	Handtag	Lower Handle	Black and Yellow
10	1	322869723/0	Stötstång	Rod	
11	6	112728697/0	Skruv	Screw	
12	1	322109580/0	Höjdställningsslid	Slide	
13	1	122450484/0	Fjäder	Spring	
14	1	322735592/0	Höjdställningssegment	Sector, Height Adjustment	
15	2	9943-0516-16	Skruv	Screw	
16	1	322602031/0	Låsplatta	Position Plate	
17	1	322602027/0	Lins	Lens	
18	1	322055334/0	Hus	Deck, Adjustment	
19	3	112728699/0	Skruv	Screw	
20	1	322778475/0	Fäste	Bracket	
21	1	112815270/0	Skruv	Screw	
22	1	122450480/0	Fjäder	Spring	
23	1	122517873/0	Stift	Pin	
24	1	112523040/0	Bricka	Washer	
25	1	112154510/0	Mutter	Nut	
26	1	381302905/0	Hjulaxel-bakre	Rear Wheel Axle	
27	2	322038407/0	Bussning	Brass	
28	1	181003119/0	Transmission kpl	Gear Box	
29	1	135064393/0	Drivrem	Belt	
31	1	122570110/1	Drev	Pinion Right	
32	1	122570120/1	Drev	Pinion Left	
33	2	119216035/0	Lager	Bearing	
34	2	122753000/0	Spännstift	Pin	
35	2	322545147/0	Plat	Plate	
36	4	9943-0516-16	Skruv	Screw	
37	1	322778491/0	Plat	Plate	
38	1	112735664/0	Skruv	Screw	
39	1	9943-0516-16	Skruv	Screw	
40	4	112608600/0	Segersäkringsåkring Sga12	Seeger	
41	1	322602029/0	Knapp	Button	



Utgåva Issue 6 - 2016		Mask Mask, Frontal Basic Version			
Pos. Fig.	Antal Q.ty	Art nr Part No	Benämning	Description	Anmärkning Notes
1	1	322500111/0	Luftintag	Front Combi	
2	1	381393703/0	Handtag	Handle	
3	1	322226240/0	Frontkapa, Gra	Mask, Grey	
4	2	112728697/0	Skruv	Screw	
5	2	112728699/0	Skruv	Screw	
6	1	322393756/0	Handtag-Främre	Front Handle	
7	1	114367494/2	Dekal STIGA logo	Label STIGA logo	

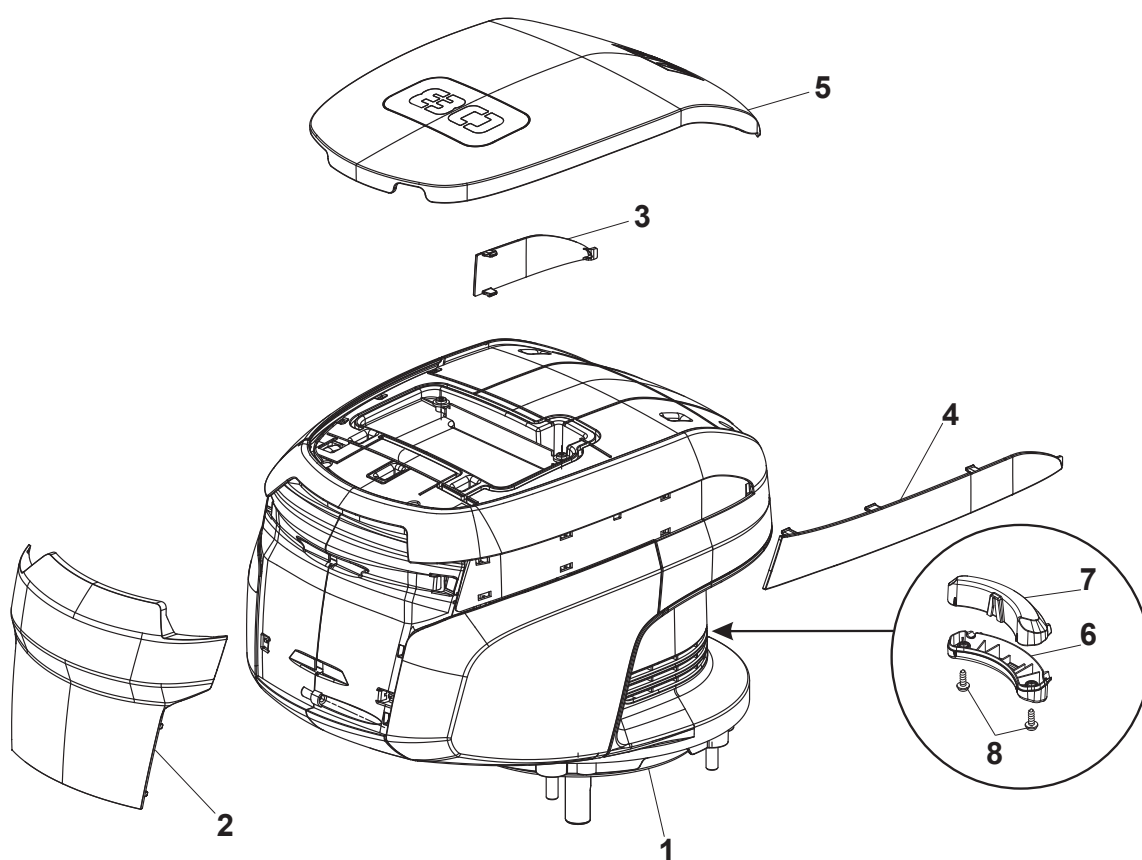


Utgåva Issue 6 - 2016		Reglage		Handle	
Pos. Fig.	Antal Q.ty	Art nr Part No	Benämning	Description	Anmärkning Notes
1	1	322291075/0	Handtagshalva, övre brytare	Upper Half Handgrip Switch	
2	1	381600557/0	Manöverdosa	Dead Hand Switch	
3	1	322291074/0	Handtagshalva, övre brytare	Upper Half Handgrip Switch	
4	11	112728711/0	Skruv	Screw	
5	1	381030085/0	Kopplingswire	Cable Rear Drive	
6	1	322551640/0	Plat	Plate	
7	1	112727783/0	Skruv	Screw	
8	1	112154510/0	Mutter	Nut	
9	2	122192000/1	Kabelhallare	Clamp	
10	2	112819121/0	Skruv	Screw	
11	4	122671651/0	Bricka	Washer	
12	2	112293200/0	Mutter	Nut	
13	2	112793701/0	Skruv	Screw	
14	2	112521350/0	Bricka	Washer	
15	4	322551582/0	Fäste	Inside Plaque Insulation	
16	2	112155000/0	Mutter	Nut	
17	1	381008691/0	Skruvsats	Outfit, Screws	Black
18	1	381007536/0	Handtag	Handle Lower Part	Yellow
19	2	381007576/0	Handtag, övre	Handle, Upper Part	Yellow
20	4	122399900/0	Knopp	Knob	Black
21	1	181003439/0	Spak Handtag	Drive Control Lever	

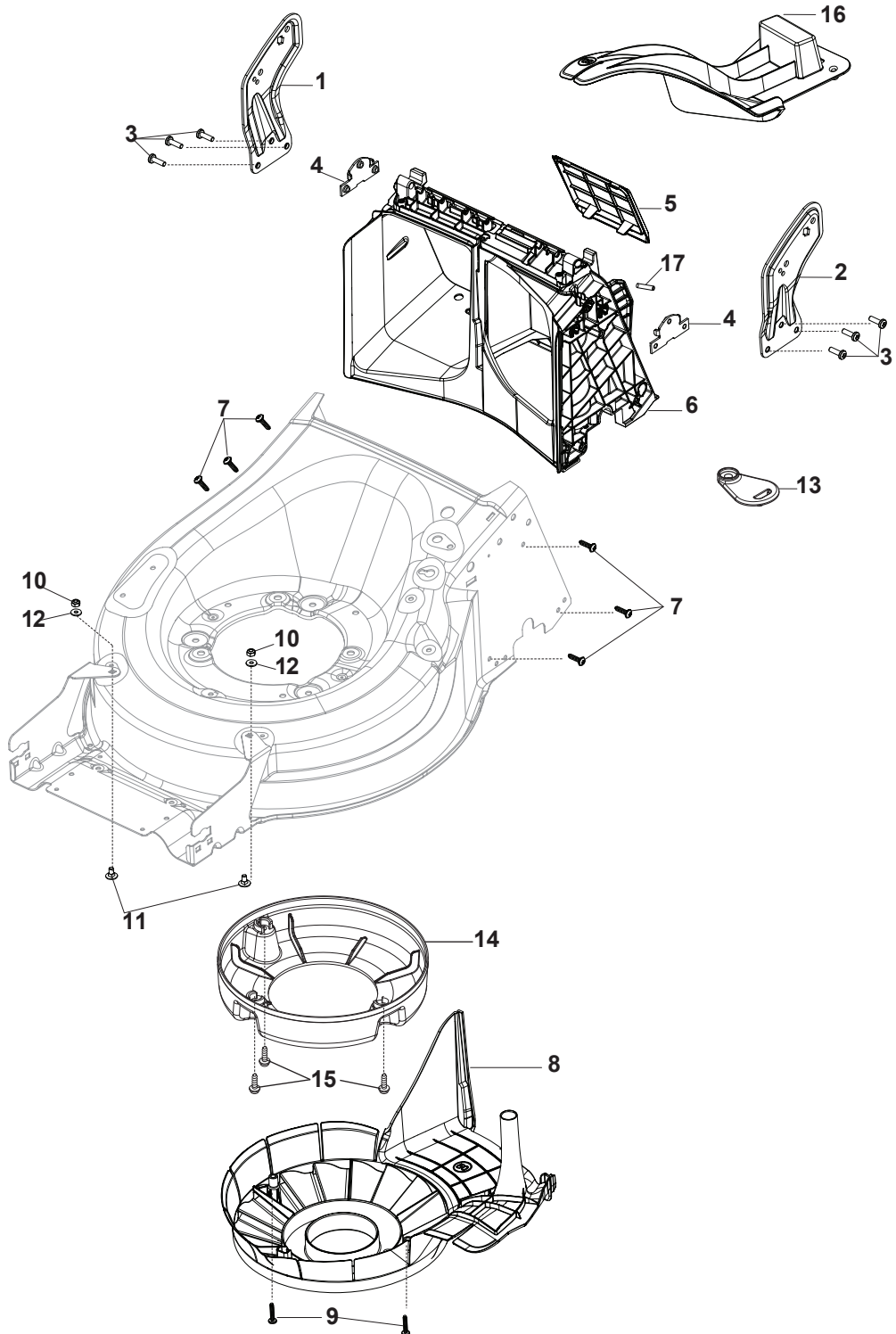




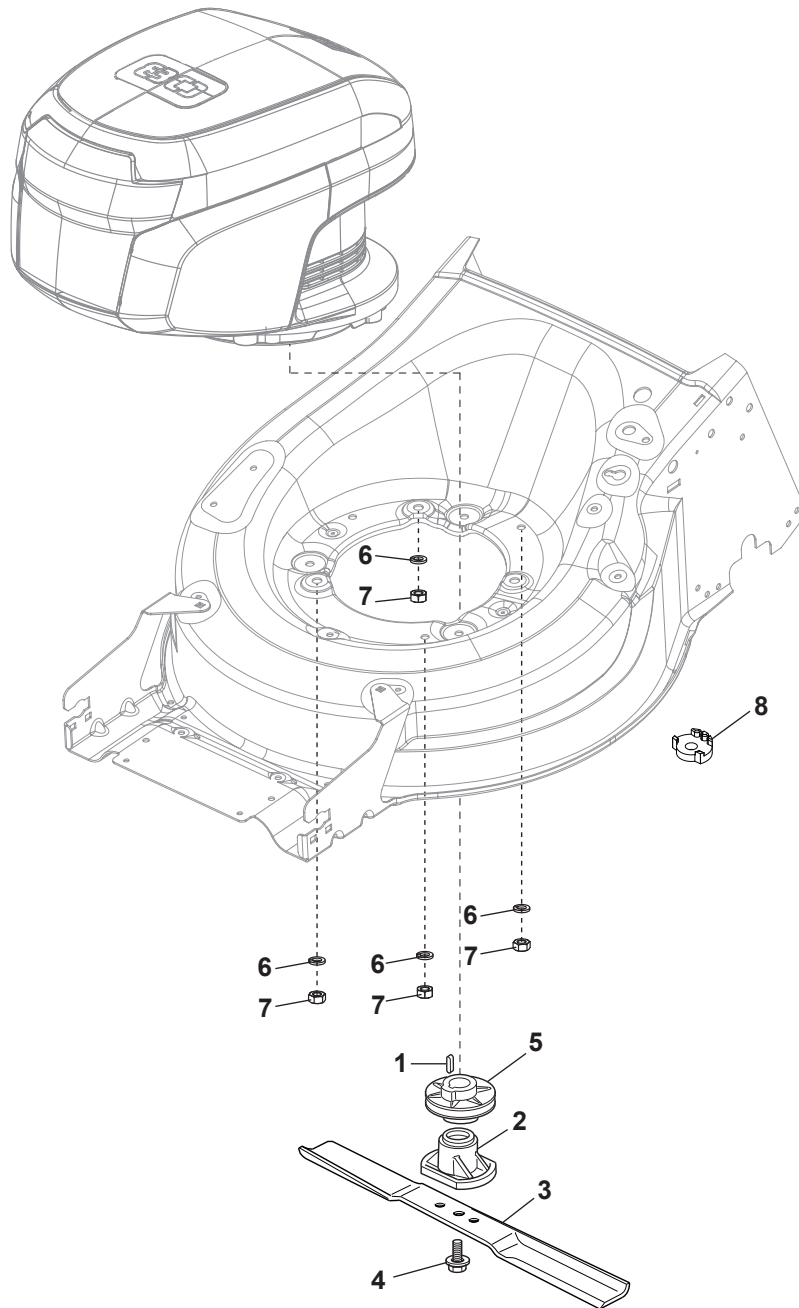
Utgåva Issue 6 - 2016		Hjul och navkapsel Wheels and Hub Caps			
Pos. Fig.	Antal Q.ty	Art nr Part No	Benämning	Description	Anmärkning Notes
1	2	381007455/1	Hjul	Wheel	
2	4	119216035/0	Lager	Bearing	
3	2	322110744/0	Navkapsel Gra	Hub Cap Grey	
5	2	381007467/1	Hjul	Wheel	
6	4	119216035/0	Lager	Bearing	
7	6	112728706/0	Skruv	Screw	
9	2	322110745/0	Navkapsel Gra	Hub Cap Grey	



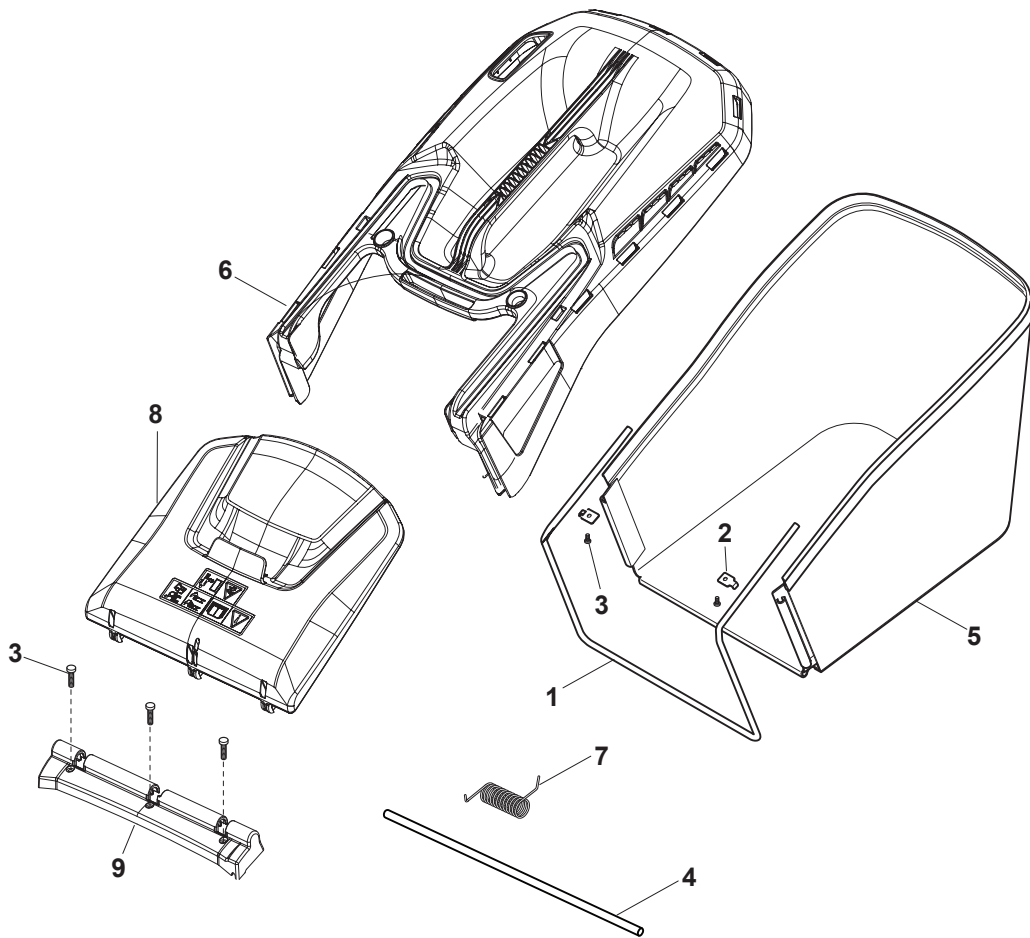
Utgåva Issue 6 - 2016		Batteripack Battery			
Pos. Fig.	Antal Q.ty	Art nr Part No	Benämning	Description	Anmärkning Notes
1	1	381270001/0	Engine Battey Group PowerHead Stiga	Engine Battey Group PowerHead Stiga	
2	1	322109957/0	Fram Skal	Front Cover	
3	1	322109958/0	Kåpa	Right Side Cover	
4	1	322109959/0	Sidoskydd	Left Side Cover	
5	1	322109969/0A	Upper Cover	Upper Cover	
6	1	322722833/0	Spolskydd	Lower Guard	
7	1	322722834/0	Skydd-Övre	Upper Guard	
8	1	112728706/0	Skruv	Screw	



Utgåva Issue 6 - 2016		Remskydd Protection, Belt			
Pos. Fig.	Antal Q.ty	Art nr Part No	Benämning	Description	Anmärkning Notes
1	1	381005195/0	Fäste-Hö	Bracket-Rh	
2	1	381005197/0	Fäste-Vä	Bracket-Lh	
3	6	112727801/0	Skruv	Screw	
4	2	322545213/0	Plat	Plate	
5	1	322600310/0	Rear door	Rear door	Not for TR/E models
6	1	322108316/0	Conveyor	Conveyor	
7	6	112728699/0	Skruv	Screw	
8	1	322060270/1	Mulchingplugg	Carter Mulching	
9	2	112728531/0	Skruv	Screw	
10	2	112154510/0	Mutter	Nut	
11	2	112815200/0	Skruv	Screw	
12	2	112521330/0	Bricka	Washer	
13	1	322820087/0	Plugg	Cap	Only for Models 50cm
14	1	322055345/0	Utkaströr	Conveyor	Only for Models 50cm
15	3	112728697/0	Skruv	Screw	Only for Models 50cm
16	1	322140245/0	Deflektor	Deflector	
17	1	112645708/0	Stift	Pin	



Utgåva Issue 6 - 2016		Kniv Blade			
Pos. Fig.	Antal Q.ty	Art nr Part No	Benämning	Description	Anmärkning Notes
1	1	112139440/0	Kil	Key	
2	1	322463189/0	Knivfäste Ø 17	Hub Ø 17	
3	1	181004366/2	Kniv	Blade	
4	1	112735698/0	Skruv	Screw	
5	1	322601911/2	Remskiva	Pulley	
6	4	112583500/0	Lasbricka	Grower	
7	4	112293200/0	Mutter	Nut	
8	1	322171009/0	Distans	Spacer	





Utgåva Issue 6 - 2016		Gräsuppsamlare Grass-Catcher			
Pos. Fig.	Antal Q.ty	Art nr Part No	Benämning	Description	Anmärkning Notes
1	1	181006411/0	Säckram	Fabric Box Frame	
2	2	322557177/0	Plat	Plate	
3	5	112728697/0	Skruv	Screw	
4	1	122517884/0	Stift	Pin	
5	1	181102349/0	Uppsamlingsbox	Cancas GrassCatcher	
6	1	381486039/0	Uppsamlare, övre	Box, Upper Side	
7	1	122450479/0	Fjäder	Spring	
8	1	322600308/0	Lucka - svart	Stone Guard, Black	
9	1	322109569/0	Stenskydd Supp. Svart	Black Stone Guard Support	

code	pos.	q.ty	page				
9943-0516-16	15	2	p. 3	322109957/0	2	1	p. 11
9943-0516-16	36	4	p. 3	322109958/0	3	1	p. 11
9943-0516-16	39	1	p. 3	322109959/0	4	1	p. 11
112139440/0	1	1	p. 15	322109969/0A	5	1	p. 11
112154510/0	8	1	p. 7	322110744/0	3	2	p. 9
112154510/0	10	2	p. 13	322110745/0	9	2	p. 9
112154510/0	25	1	p. 3	322140245/0	16	1	p. 13
112155000/0	16	2	p. 7	322171009/0	8	1	p. 15
112293200/0	7	4	p. 15	322226240/0	3	1	p. 5
112293200/0	12	2	p. 7	322291074/0	3	1	p. 7
112436051/0	5	2	p. 3	322291075/0	1	1	p. 7
112521330/0	12	2	p. 13	322393756/0	6	1	p. 5
112521350/0	14	2	p. 7	322394534/0	8	1	p. 3
112523040/0	24	1	p. 3	322394535/0	9	1	p. 3
112583500/0	6	4	p. 15	322463189/0	2	1	p. 15
112608600/0	40	4	p. 3	322500111/0	1	1	p. 5
112645708/0	17	1	p. 13	322545147/0	35	2	p. 3
112727783/0	7	1	p. 7	322545213/0	4	2	p. 13
112727801/0	3	6	p. 13	322551582/0	15	4	p. 7
112728531/0	9	2	p. 13	322551640/0	6	1	p. 7
112728697/0	3	4	p. 3	322557177/0	2	2	p. 17
112728697/0	3	5	p. 17	322600308/0	8	1	p. 17
112728697/0	4	2	p. 5	322600310/0	5	1	p. 13
112728697/0	11	6	p. 3	322601911/2	5	1	p. 15
112728697/0	15	3	p. 13	322602027/0	17	1	p. 3
112728699/0	5	2	p. 5	322602029/0	41	1	p. 3
112728699/0	7	6	p. 13	322602031/0	16	1	p. 3
112728699/0	19	3	p. 3	322722833/0	6	1	p. 11
112728706/0	7	6	p. 9	322722834/0	7	1	p. 11
112728706/0	8	1	p. 11	322735592/0	14	1	p. 3
112728711/0	4	11	p. 7	322778475/0	20	1	p. 3
112735664/0	38	1	p. 3	322778491/0	37	1	p. 3
112735698/0	4	1	p. 15	322785305/1	2	2	p. 3
112793701/0	13	2	p. 7	322820087/0	13	1	p. 13
112815200/0	11	2	p. 13	322869697/0	4	1	p. 3
112815270/0	21	1	p. 3	322869723/0	10	1	p. 3
112819121/0	10	2	p. 7	381004838/0	7	1	p. 3
114367494/2	7	1	p. 5	381005195/0	1	1	p. 13
119216035/0	2	4	p. 9	381005197/0	2	1	p. 13
119216035/0	6	4	p. 9	381007455/1	1	2	p. 9
119216035/0	33	2	p. 3	381007467/1	5	2	p. 9
122192000/1	9	2	p. 7	381007536/0	18	1	p. 7
122399900/0	20	4	p. 7	381007576/0	19	2	p. 7
122450479/0	7	1	p. 17	381008691/0	17	1	p. 7
122450480/0	22	1	p. 3	381030085/0	5	1	p. 7
122450484/0	13	1	p. 3	381270001/0	1	1	p. 11
122517873/0	23	1	p. 3	381302901/0	1	1	p. 3
122517884/0	4	1	p. 17	381302905/0	26	1	p. 3
122519823/0	6	2	p. 3	381393703/0	2	1	p. 5
122570110/1	31	1	p. 3	381486039/0	6	1	p. 17
122570120/1	32	1	p. 3	381600557/0	2	1	p. 7
122671651/0	11	4	p. 7				
122753000/0	34	2	p. 3				
135064393/0	29	1	p. 3				
181003119/0	28	1	p. 3				
181003439/0	21	1	p. 7				
181004366/2	3	1	p. 15				
181006411/0	1	1	p. 17				
181102349/0	5	1	p. 17				
322038407/0	27	2	p. 3				
322055334/0	18	1	p. 3				
322055345/0	14	1	p. 13				
322060270/1	8	1	p. 13				
322108316/0	6	1	p. 13				
322109569/0	9	1	p. 17				
322109580/0	12	1	p. 3				