

# STIGA

[www.stiga.com](http://www.stiga.com)

## Illustrated Parts List

for model:

**COMBI 44 E**

- Use GLOBAL GARDEN PRODUCT genuine spare parts specified in the parts list for repair and/or replacement.
- Then contents described in the parts list may change due to improvement.
- The drawings of the spare part are only indicative and might not represent the part in question exactly.
- The indications "right" - "left" - "front" - "rear" refer to the position of the operator when using the machine.
- When placing orders of parts for repair and/or replacement, make sure that the illustrated parts list is the one applying to the machine's year of manufacture, as shown on the identification plate attached to the machine.

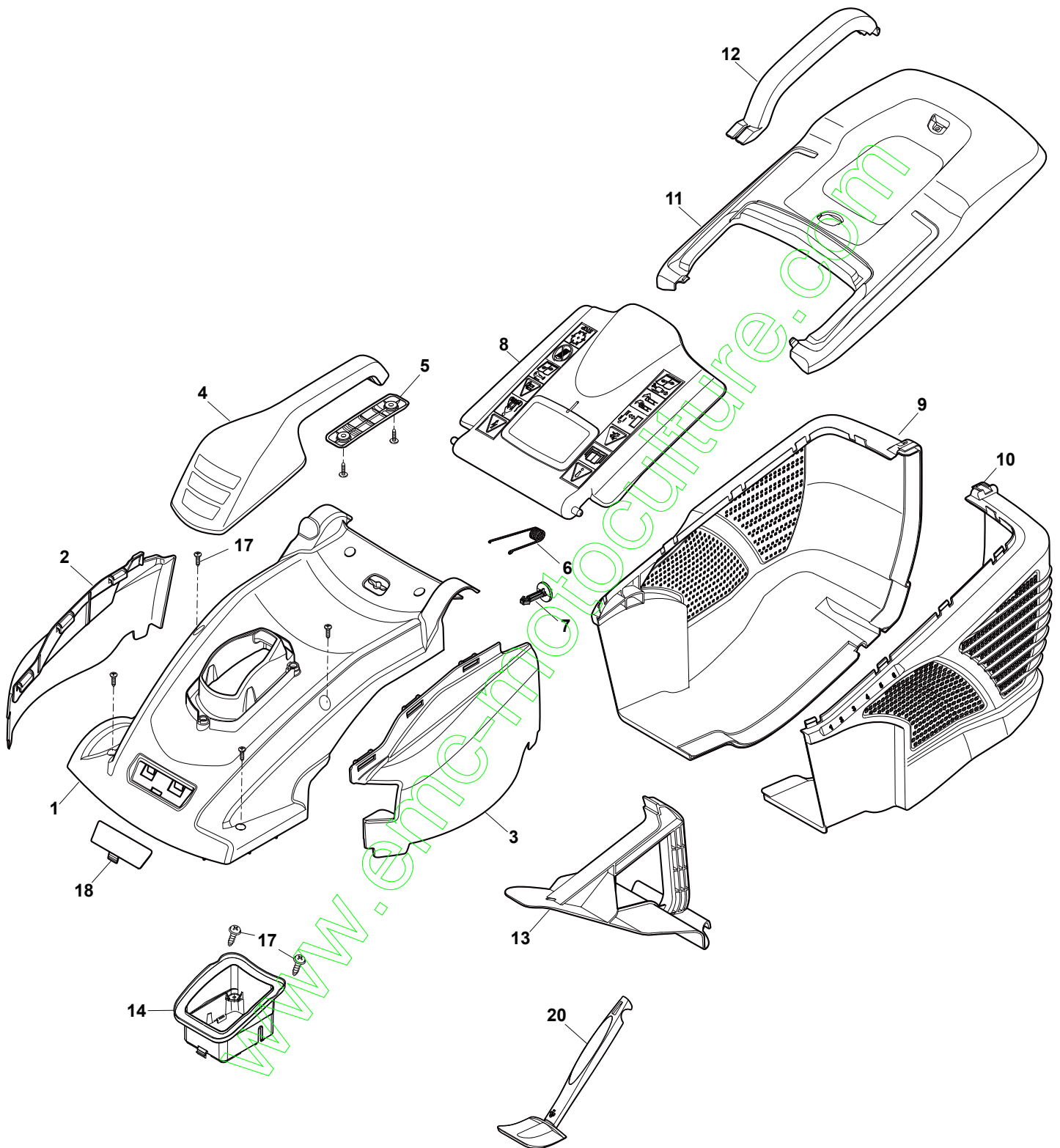
© Copyright 2014 Global Garden Products

All content is subject to copyright by Global Garden Products and may not be reproduced in whole or in part by any means, electronic or otherwise, without prior written approval.

THIS INFORMATION IS NOT INTENDED FOR SALE OR RESALE, AND THIS NOTICE MUST REMAIN ON ALL COPIES.

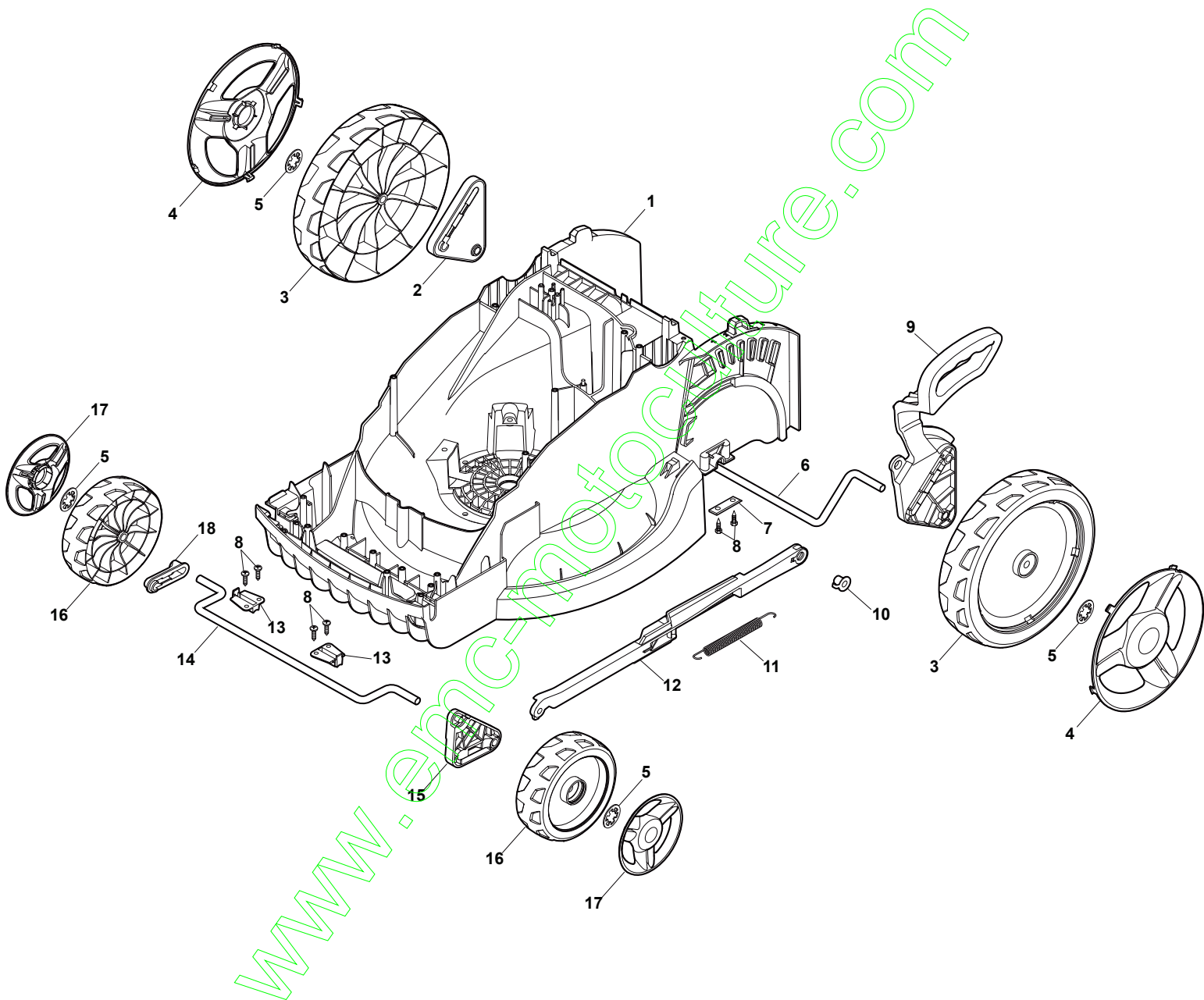
[www.ggp-group.com](http://www.ggp-group.com)

The logo features the word "STIGA" in a bold, white, sans-serif font, with a registered trademark symbol (®) to the upper right of the letter "A". The text is set against a solid black rectangular background.



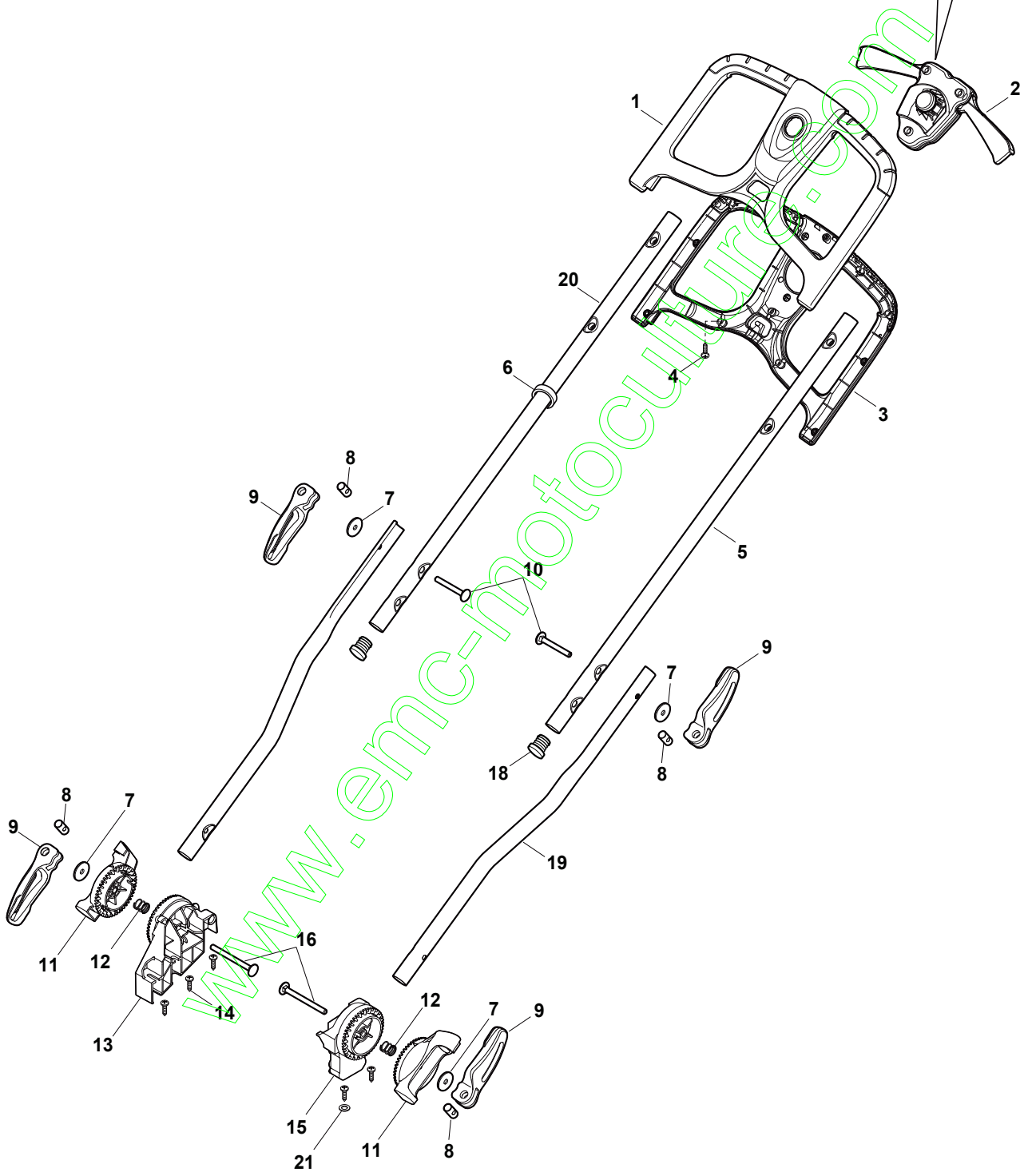
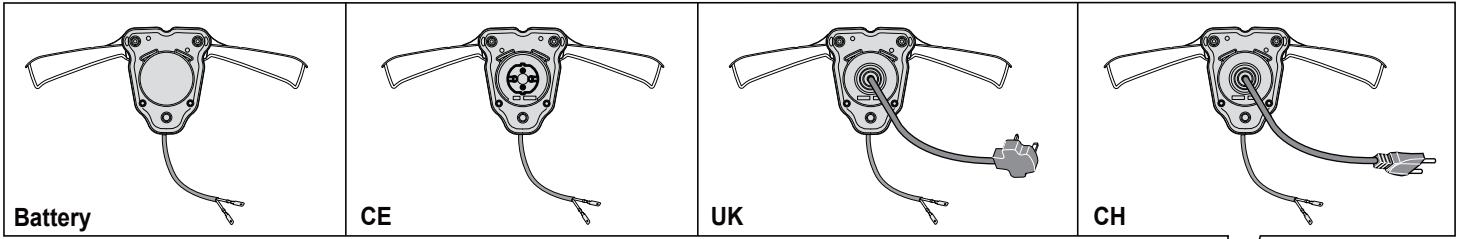
Deck				
POS	CODE	Q.TY	DESCRIPTION	NOTES
1	322055180/0	1	Deck Yellow	
2	322109867/0	1	Side Cover, Black	
3	322109868/0	1	Cover Height Adjusting, Black	
4	322393665/0	1	Cover, Black	
5	322393659/0	1	Handle, Lower Part	
6	122450470/0	1	Spring	
7	322524356/0	1	Pin	
8	322600255/0	1	Stone-Guard, Black	
9	322486326/0	1	Grass-Box, R Lower Black	
10	322486327/0	1	Grass-Box, L Lower Black	
11	322486323/0	1	Grass-Box, Upper	
12	322393666/0	1	Handle, Black	
13	322140243/0	1	Mulching Plug	
14	322393672/0	1	Engine Protection	
17	112728714/0	12	Screw	
18	322055168/0	1	Frontal Plate	
20	113300215/0	1	Scraper	

www.emc-motoculture.com



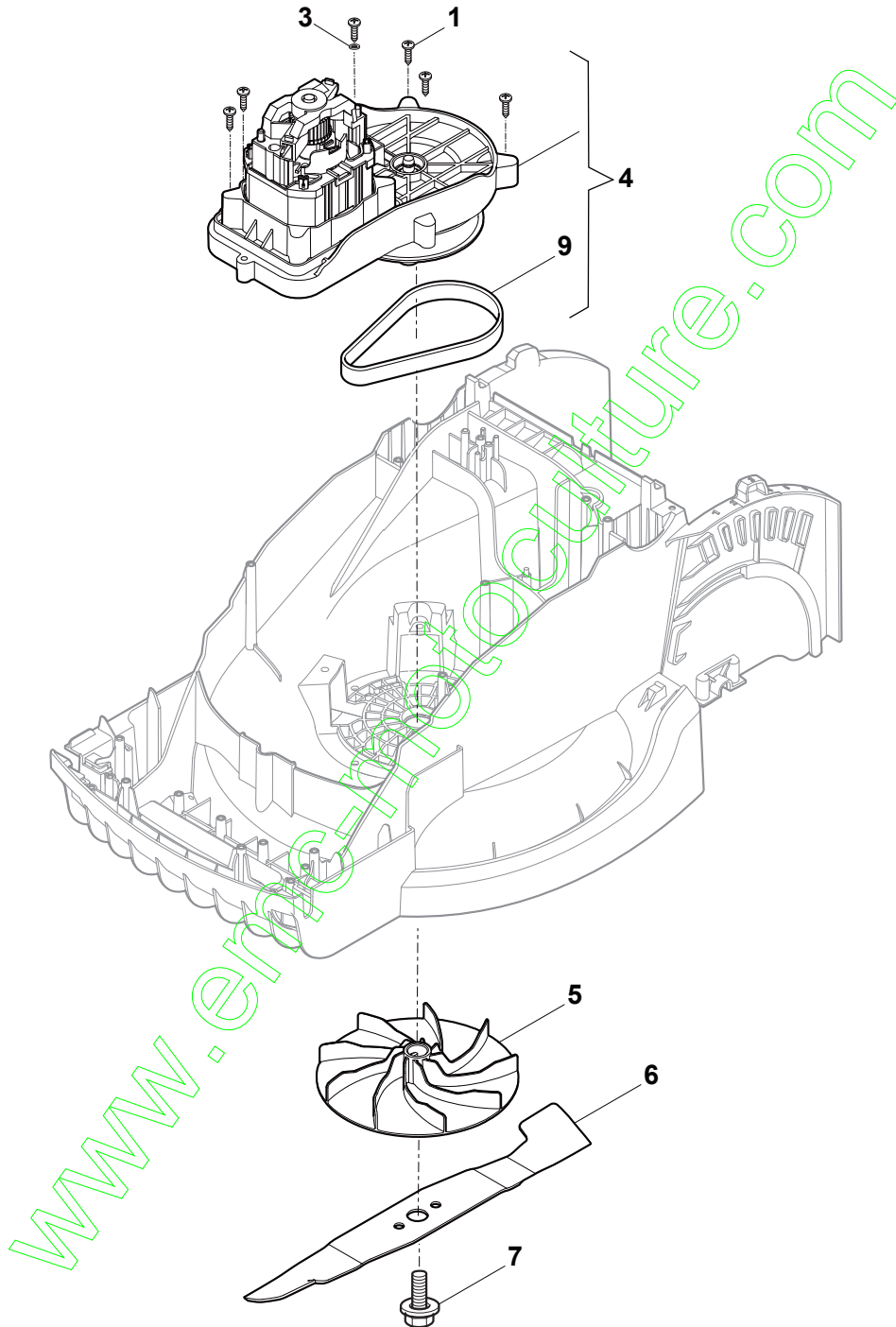
Deck And Height Adjusting				
POS	CODE	Q.TY	DESCRIPTION	NOTES
1	322066784/0	1	Deck STIGA Grey	
2	322785387/0	1	Support, Wheels	
3	322686105/0	2	Wheel Ø 250	
4	322110683/0	2	Hub Cap Grey	
5	112604903/0	4	Washer	
6	122033427/0	1	Axle, Rear Wheels	
7	322545142/0	2	Plate	
8	112728714/0	8	Screw	
9	322785414/1	1	Lever, Height Adjustment	Grey
10	322524354/0	1	Pin	
11	122446195/0	1	Spring	
12	322869680/0	1	Rod, Height Adjustment	Grey
13	322785415/0	2	Plate	
14	122033426/0	1	Axle, Rear Wheels	
15	322785386/0	1	Support, Wheels	Grey
16	322686104/0	2	Wheel Ø 150	
17	322110684/0	2	Hub Cap Grey	
18	322785385/0	1	Support, Wheels	

www.emc-motoculture.com



Handle, Upper Part				
POS	CODE	Q.TY	DESCRIPTION	NOTES
1	322291034/1	1	Upper Half Handgrip Switch	
2	381600521/0	1	Dead Hand Switch	CE plug
3	322291035/0	1	Lower Half Handgrip Switch	
4	112728713/0	11	Screw	
5	381007515/0	1	Handle,Left Lower Part	
6	122192000/1	1	Clamp	
7	112523050/0	4	Washer	
8	122524352/0	4	Pin	
9	322319519/0	4	Fixing Lever Handle	Yellow
10	122943016/0	2	Screw	
11	322246100/0	2	Handle Joint	
12	122430210/0	2	Spring	
13	322745052/0	2	Right Joint	
14	112728714/0	5	Screw	
15	322745051/0	1	Left Joint	
16	122943017/0	2	Screw	
18	118566112/0	2	Cap	
19	381007513/0	2	Handle, Lower Part	
20	381007514/0	1	Handle, Right Lower Part	
21	112521320/0	1	Washer	

www.emc-motoculture.com





Electric Motor/Blade				
POS	CODE	Q.TY	DESCRIPTION	NOTES
1	112728699/0	4	Screw	
3	112523020/0	1	Washer	
4	118563697/1	1	Motor	1800W
5	322465644/1	1	Hub Fan	
6	181004155/0	1	Blade	
7	381004352/1	1	Screw	
9	118810092/0	1	Belt	

[www.emc-motoculture.com](http://www.emc-motoculture.com)