

Parts Catalogue

for model
510 BSP675-3

www.emc-motoculture.com

- Use GLOBAL GARDEN PRODUCT Genuine Spare Parts specified in the parts list for repair and/or replacement.
- The contents described in the parts list may change due to improvement.
- The drawings of the spare parts are only indicative and might not represent the part in question exactly.
- The indications "right" - "left" - "front" - "rear" refer to the position of the operator when using the machine.
- When placing orders of parts for repair and/or replacement, make sure that the illustrated parts list is the one applying to the machine's year of manufacture, as shown on the identification plate attached to the machine.

© Copyright 2015 Global Garden Products

All content is subject to copyright by Global Garden Products and may not be reproduced in whole or in part by any means, electronic or otherwise, without prior written approval.

THIS INFORMATION IS NOT INTENDED FOR SALE OR RESALE, AND THIS NOTICE MUST REMAIN ON ALL COPIES.



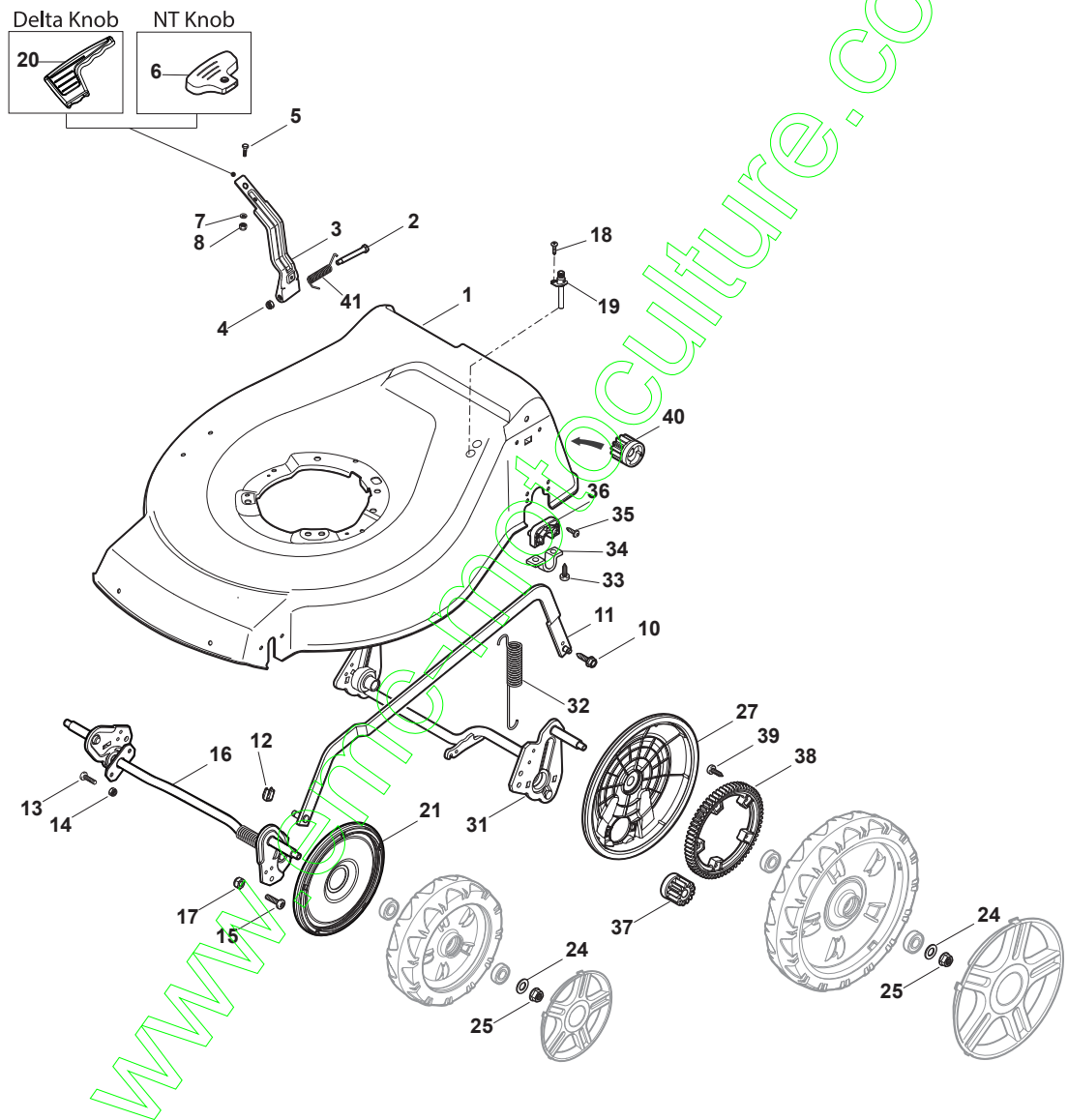
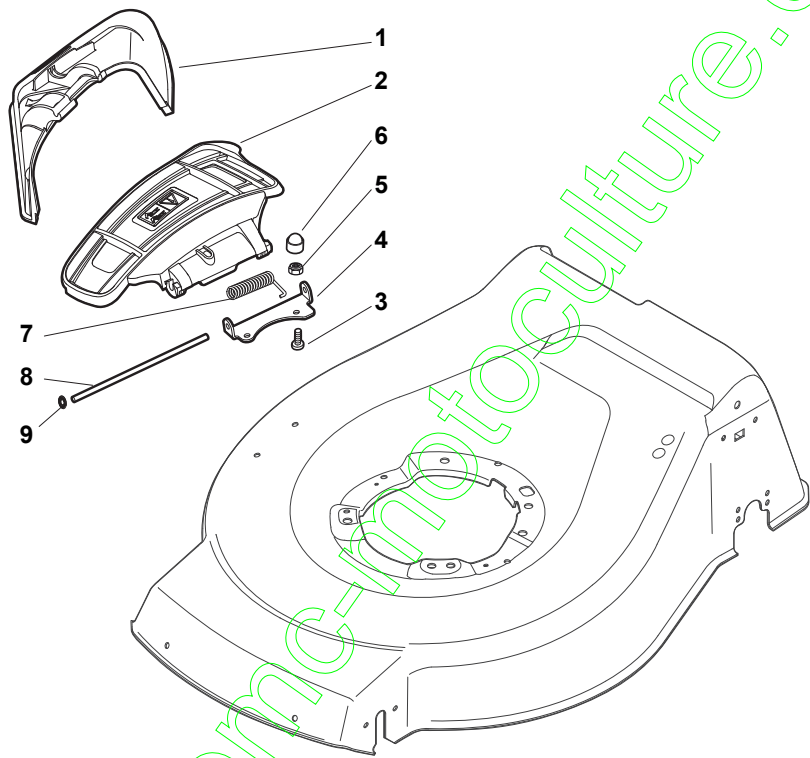


Fig.	Q.ty	Part No	Description	Notes
20	1	322394522/0	Knob	Delta Knob
1	1	381004732/0	Grey Deck	
2	1	122534131/0	Pin	
3	1	381003398/0	Lever, Height Adjustment	
4	1	112154510/0	Nut	
5	1	112788512/0	Screw	
6	1	322394503/0	Knob	NT Knob
7	1	112521310/0	Washer	
8	1	112150000/0	Nut	
10	1	122943013/0	Screw	
11	1	381002032/0	Rod, Height Adjustment	
12	1	112436051/0	Plate	
13	3	112727803/0	Screw	
14	3	112154510/0	Nut	
15	1	112727801/0	Screw	
16	1	381002887/1	Front Wheel Axle	
17	1	112154510/0	Nut	
18	1	112728450/0	Screw	
19	1	322034002/0	Washing Connection	
21	2	322600145/0	Protection, Wheel	
24	4	112521350/0	Washer	
25	4	112155000/0	Nut	
27	2	322600208/0	Protection, Wheel	
31	1	381302835/1	Axle, Rear Wheels	
32	1	122450460/0	Spring	
33	4	112728697/0	Screw	
34	2	322545152/0	Plate	
35	4	112728697/0	Screw	
36	2	322785304/1	Support	
37	1	122570134/0	Left Pinion	
38	2	322120115/0	Wheels Crown	
39	6	112728706/0	Screw	
40	1	122570133/0	Right Pinion	
41	1	122446192/0	Spring	



www.eric-motoculture.com

Fig.	Q.ty	Part No	Description	Notes
1	1	322108295/1	Side Ejection Conveyor	
2	1	322600313/0	Ejection Guard	
3	2	112727803/0	Screw	
4	1	322806639/0	Fulcrum Pin	
5	2	112154510/0	Nut	
6	2	118203853/0	Screw	
7	1	122450456/0	Spring	
8	1	122517869/1	Pin	
9	2	112604896/0	Crown Fastener	

www.emc-motoculture.com

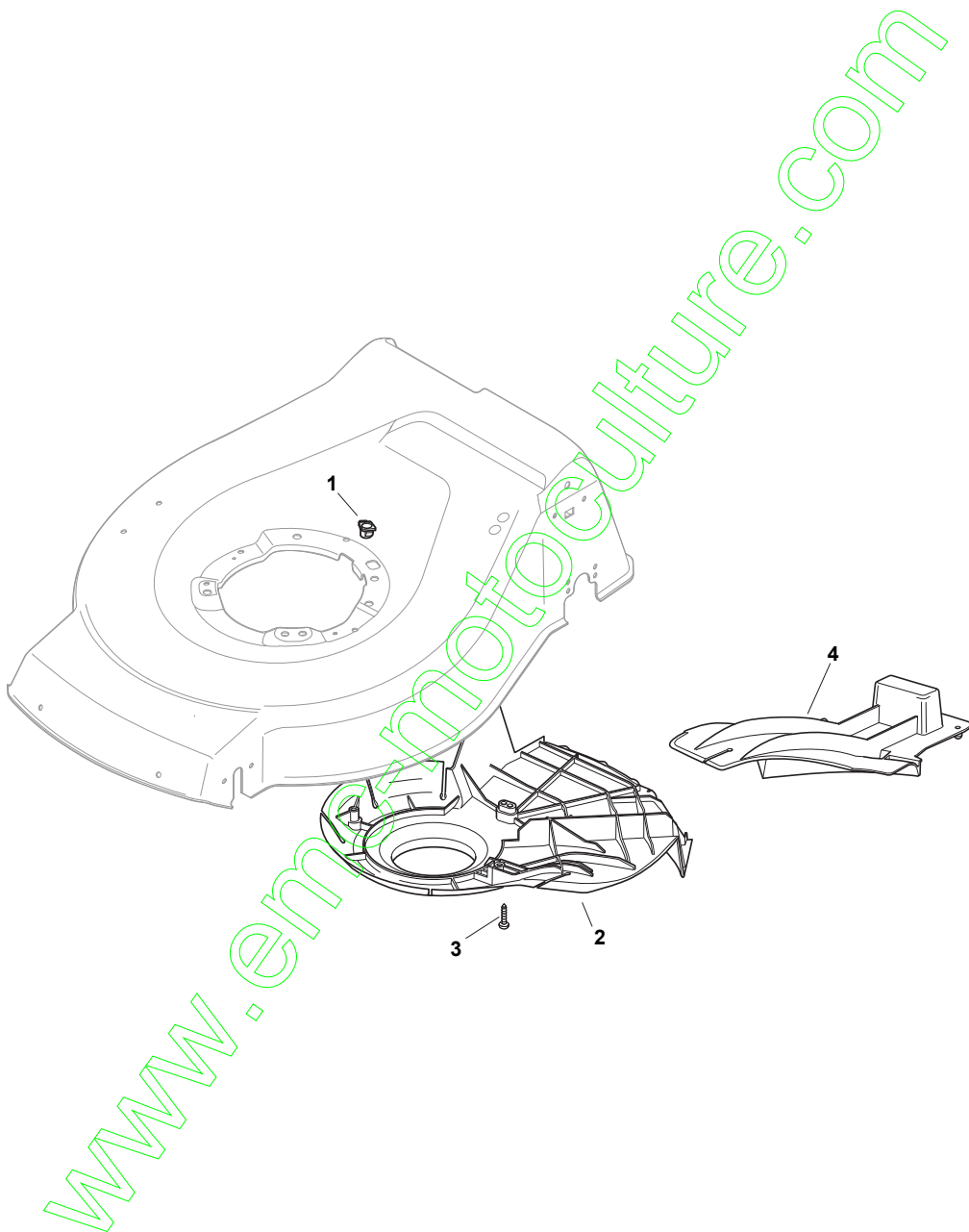


Fig.	Q.ty	Part No	Description	Notes
1	1	322291150/0	Rubber Insert	
2	1	322060197/3	Belt Protection	
3	3	112728530/0	Screw	
4	1	122140222/0	Mulching Deflector	

www.emc-motoculture.com

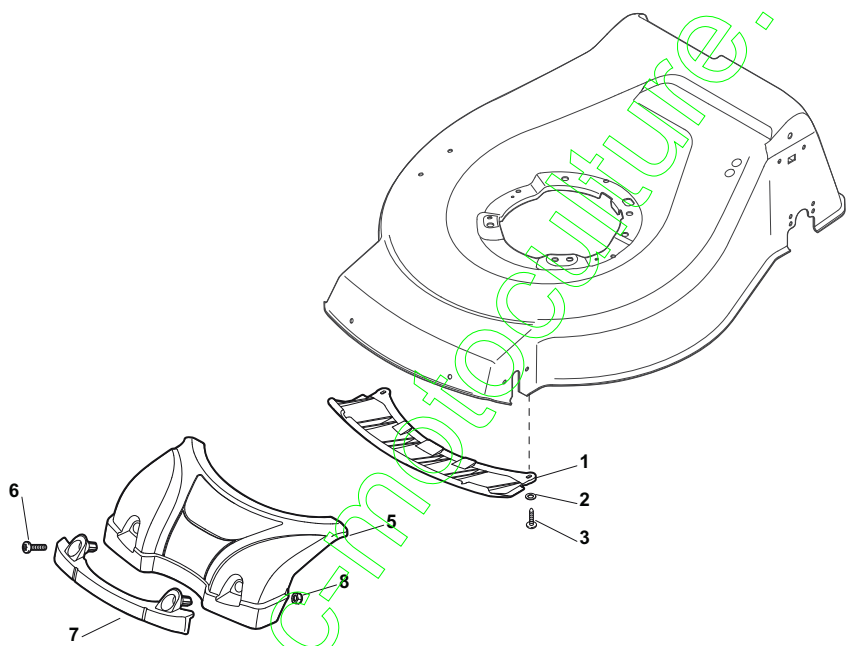


Fig.	Q.ty	Part No	Description	Notes
1	1	322500103/0	Front Combi	
2	2	112523000/1	Washer	
3	2	112728124/0	Screw	
5	1	322226154/0	Mask, Black	
6	2	112727799/0	Screw	
7	1	322393638/0	Handlegrip Black	
8	2	112154510/0	Nut	

www.emc-motoculture.com

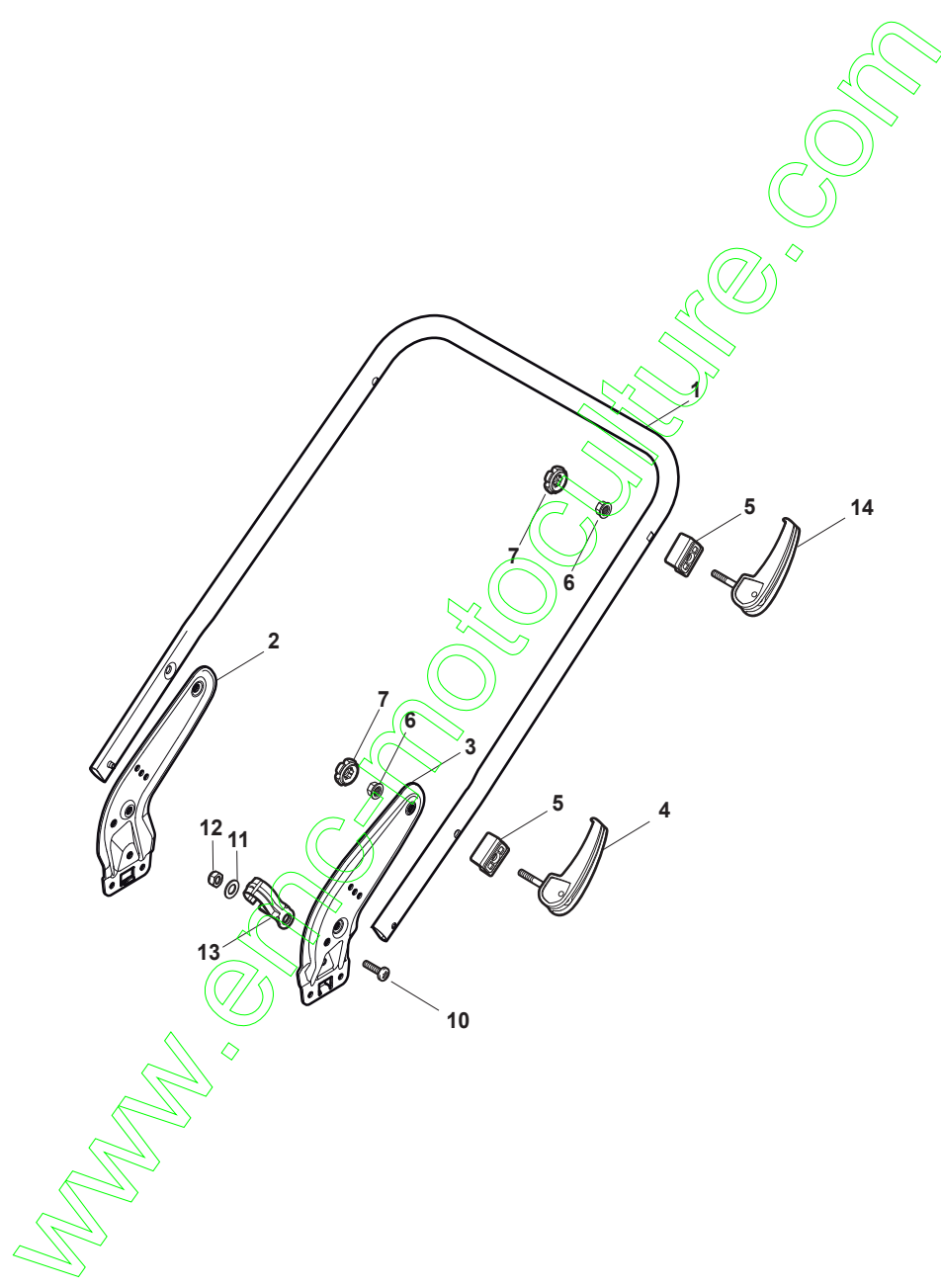


Fig.	Q.ty	Part No	Description	Notes
1	1	381006720/0	Handle Lower Part	
2	1	381005149/0	Right Bracket	Black
3	1	381005151/0	Left Bracket	Black
4	4	381003253/0	Handle	
5	4	322680016/0	Washer	
6	4	122131750/0	Nut	
7	4	322399835/0	Knob	
10	2	112760605/0	Screw	
11	2	125038002/1	Bushing	
12	2	112155000/0	Nut	
13	1	322192156/0	Clip	
14	2	381103350/0	Handle	

www.emc-motoculture.com

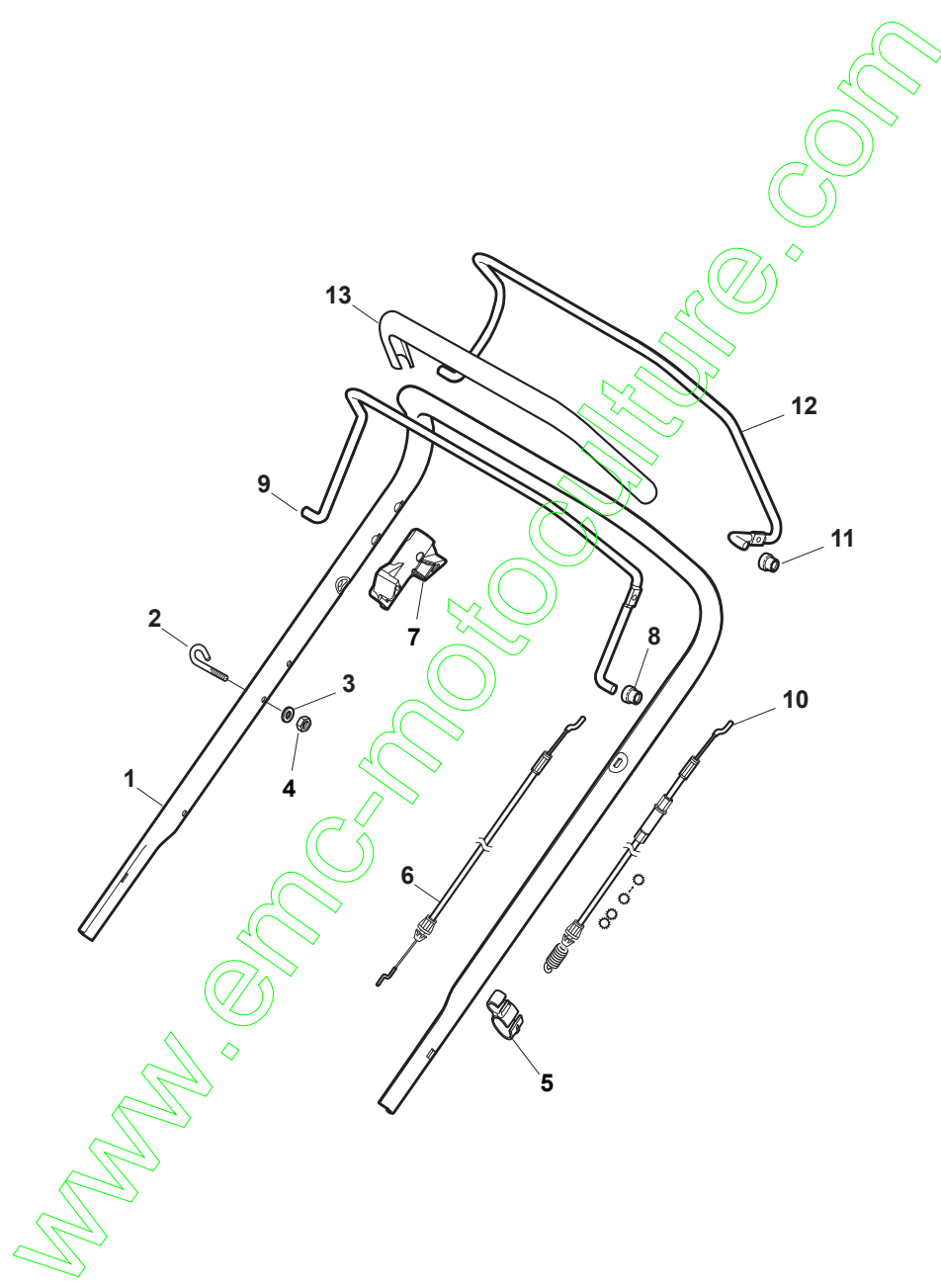


Fig.	Q.ty	Part No	Description	Notes
1	1	381007525/0	Handle, Upper Part	(for TD-CA Dashboard)
2	1	122430313/0	Guide Spring	
3	1	112521330/0	Washer	
4	1	112154510/0	Nut	
5	1	118390020/0	Conduit Clip	
6	1	181030053/0	Cable, Thread Engine Brake	GGP Engine / B&S 450-500-550-575-625-675-750 Series
7	1	322545204/0	Fulcrum Pin	
8	1	122041966/0	Bushing	
9	1	181003300/1	Lever, Engine Brake	
10	1	381030092/1	Cable Rear Drive	
11	1	122041966/0	Bushing	
12	1	181003301/0	Drive Control Lever	
13	1	122291050/0	Handgrip Black	

www.emc-motoculture.com

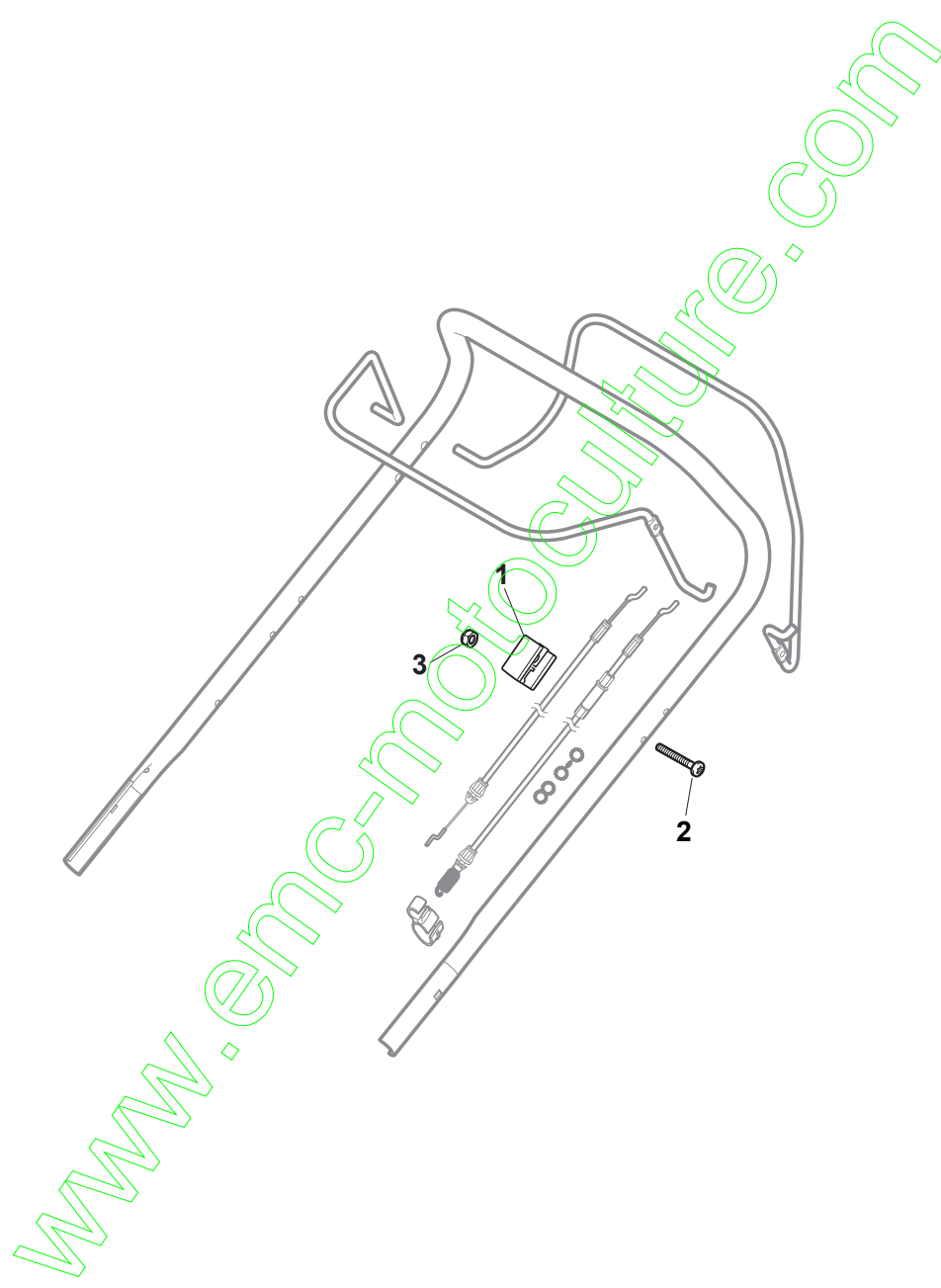


Fig.	Q.ty	Part No	Description	Notes
1	1	322551640/0	Plate	
2	1	112727783/0	Screw	
3	1	112154510/0	Nut	

www.emc-motoculture.com

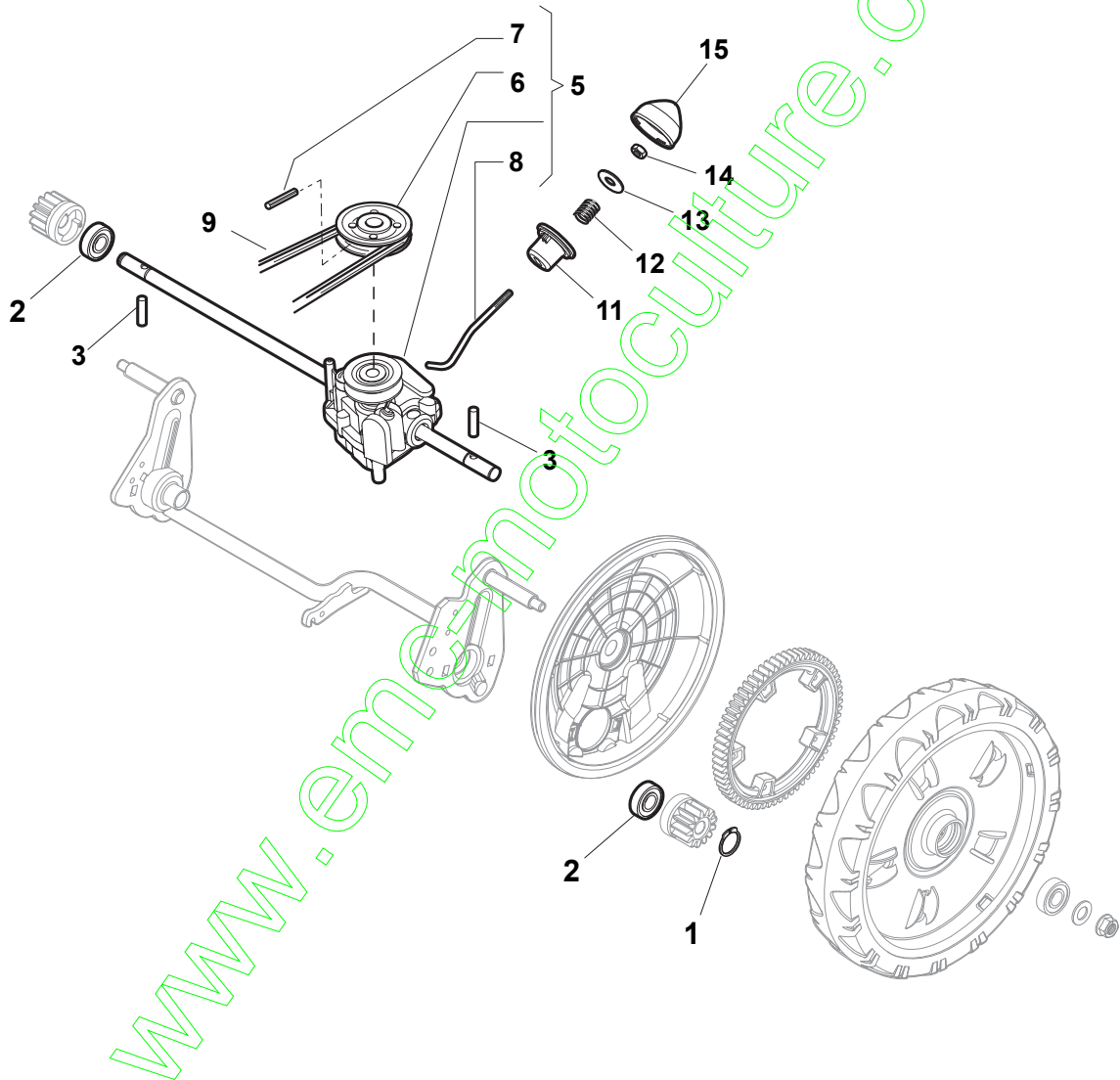


Fig.	Q.ty	Part No	Description	Notes
1	2	112608600/0	Seeger	
2	2	119216035/0	Bearing	
3	2	122753000/0	Pin	
5	1	181003076/1	Gear Box	
6	1	122601904/0	Pulley	
7	1	112645700/0	Elastic Pin	
8	1	122033283/0	Adjustment Rod	
9	1	135063902/0	Belt	
11	1	122041957/1	Bushing	
12	1	122450063/0	Spring	
13	1	322680009/0	Washer	
14	1	112154510/0	Nut	
15	1	122110230/0	Hub Cover	

www.emc-motoculture.com

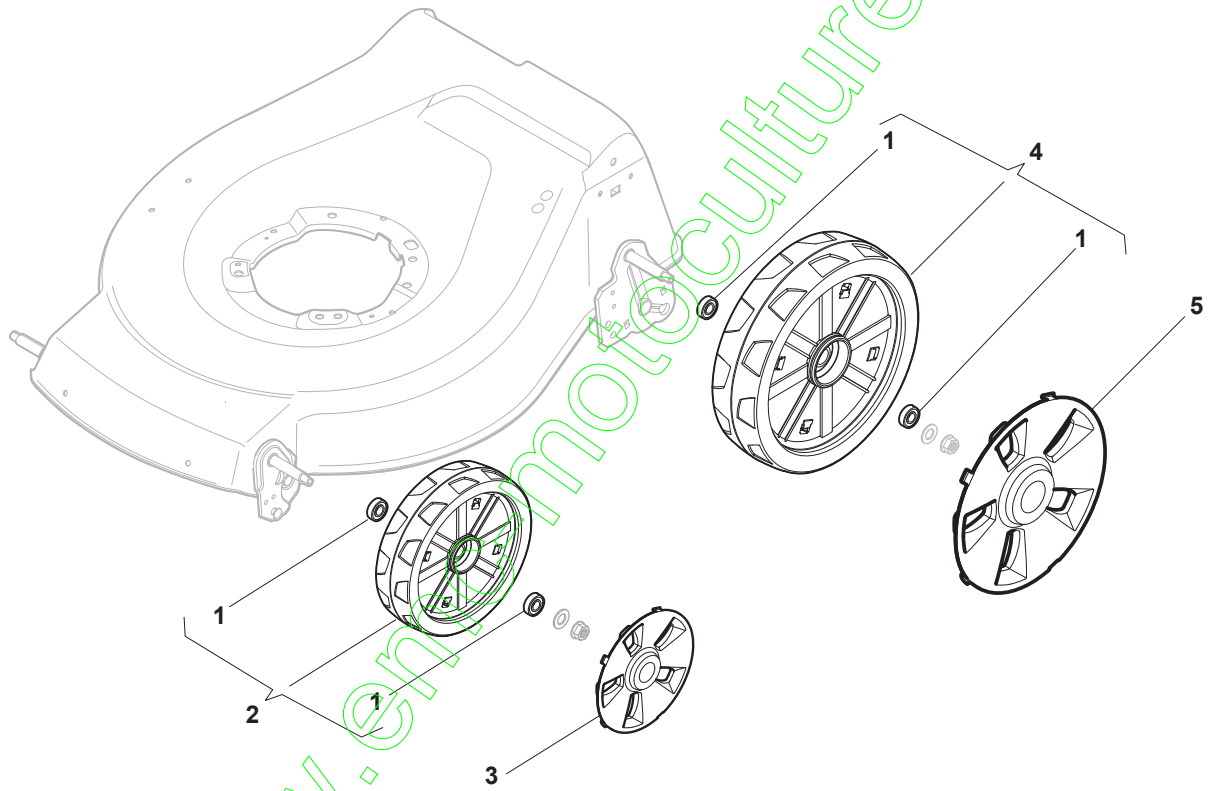


Fig.	Q.ty	Part No	Description	Notes
1	4	119216035/0	Bearing	
2	2	381007483/1	Wheel	
3	2	322110643/0	Hub Cap Grey	Grey
4	2	381007478/1	Wheel	
5	2	322110644/0	Hub Cap Grey	Grey

www.emc-motoculture.com

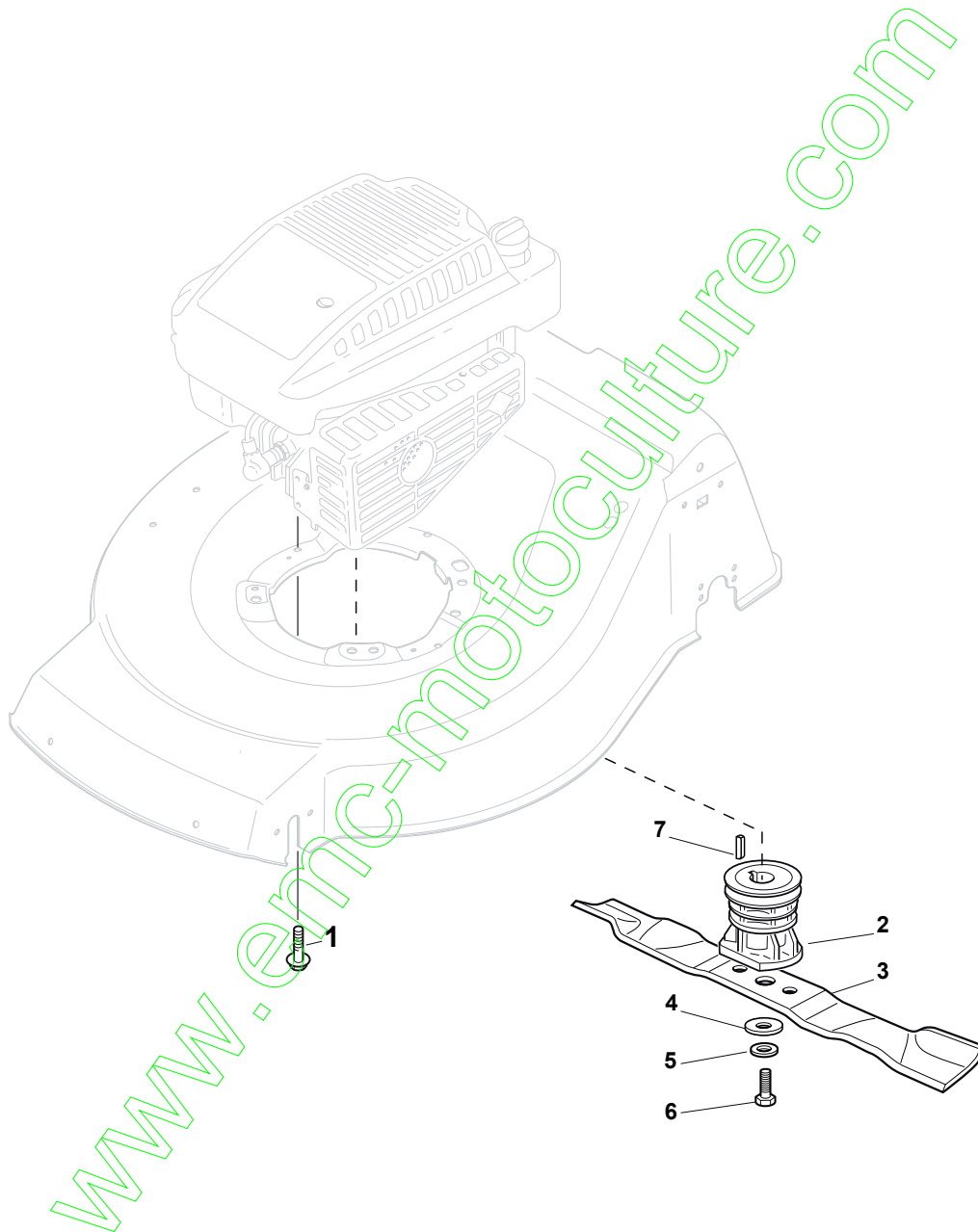


Fig.	Q.ty	Part No	Description	Notes
1	3	112735108/1	Screw	
2	1	122465607/3	Hub With Pulley, Crankshaft Ø 22.2	
3	1	181004398/0	Blade Winged	
4	1	122160400/0	Elastic Disc	
5	1	112523080/0	Washer	
6	1	112735698/0	Screw	
7	1	112139100/0	Key	

www.emc-motoculture.com

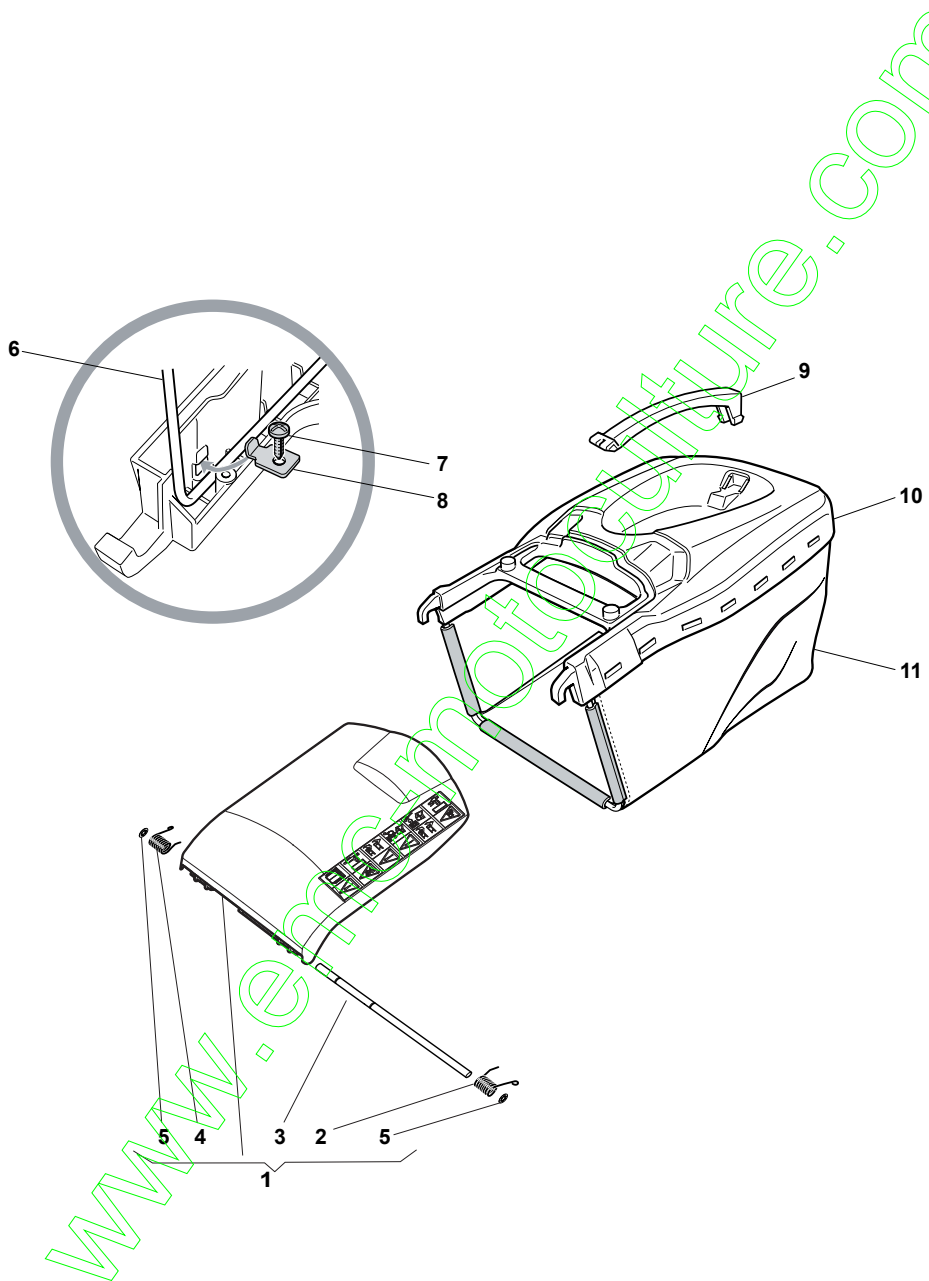


Fig.	Q.ty	Part No	Description	Notes
1	1	381008128/0	Stone Guard, Black	Black
2	1	122450466/0	Left Spring	
3	1	122517882/0	Pin	
4	1	122450465/0	Right Spring	
5	2	112604899/0	Crown Fastener	
6	1	122608505/0	Stiffening	
7	2	112728680/0	Screw	
8	2	322545159/0	Plate	
9	1	322393657/0	Handle	Black
10	1	381486009/0	Grass-Box, Upper	Black
10	1	381486031/0	Grass-Box, Upper	Grey
11	1	181002345/0	Box, Fabric	

www.emc-motoculture.com

code	pos.	q.ty	page				
112139100/0	7	1	p. 21	122601904/0	6	1	p. 17
112150000/0	8	1	p. 3	122608505/0	6	1	p. 23
112154510/0	3	1	p. 15	122753000/0	3	2	p. 17
112154510/0	4	1	p. 3	122943013/0	10	1	p. 3
112154510/0	4	1	p. 13	125038002/1	11	2	p. 11
112154510/0	5	2	p. 5	135063902/0	9	1	p. 17
112154510/0	8	2	p. 9	181002345/0	11	1	p. 23
112154510/0	14	1	p. 17	181003076/1	5	1	p. 17
112154510/0	14	3	p. 3	181003300/1	9	1	p. 13
112154510/0	17	1	p. 3	181003301/0	12	1	p. 13
112155000/0	12	2	p. 11	181004398/0	3	1	p. 21
112155000/0	25	4	p. 3	181030053/0	6	1	p. 13
112436051/0	12	1	p. 3	322034002/0	19	1	p. 3
112521310/0	7	1	p. 3	322060197/3	2	1	p. 7
112521330/0	3	1	p. 13	322108295/1	1	1	p. 5
112521350/0	24	4	p. 3	322110643/0	3	2	p. 19
112523000/1	2	2	p. 9	322110644/0	5	2	p. 19
112523080/0	5	1	p. 21	322120115/0	38	2	p. 3
112604896/0	9	2	p. 5	322192156/0	13	1	p. 11
112604899/0	5	2	p. 23	322226154/0	5	1	p. 9
112608600/0	1	2	p. 17	322291150/0	1	1	p. 7
112645700/0	7	1	p. 17	322393638/0	7	1	p. 9
112727783/0	2	1	p. 15	322393657/0	9	1	p. 23
112727799/0	6	2	p. 9	322394503/0	6	1	p. 3
112727801/0	15	1	p. 3	322394522/0	20	1	p. 3
112727803/0	3	2	p. 5	322399835/0	7	4	p. 11
112727803/0	13	3	p. 3	322500103/0	1	1	p. 9
112728124/0	3	2	p. 9	322545152/0	34	2	p. 3
112728450/0	18	1	p. 3	322545159/0	8	2	p. 23
112728530/0	3	3	p. 7	322545204/0	7	1	p. 13
112728680/0	7	2	p. 23	322551640/0	1	1	p. 15
112728697/0	33	4	p. 3	322600145/0	21	2	p. 3
112728697/0	35	4	p. 3	322600208/0	27	2	p. 3
112728706/0	39	6	p. 3	322600313/0	2	1	p. 5
112735108/1	1	3	p. 21	322680009/0	13	1	p. 17
112735698/0	6	1	p. 21	322680016/0	5	4	p. 11
112760605/0	10	2	p. 11	322785304/1	36	2	p. 3
112788512/0	5	1	p. 3	322806639/0	4	1	p. 5
118203853/0	6	2	p. 5	381002032/0	11	1	p. 3
118390020/0	5	1	p. 13	381002887/1	16	1	p. 3
119216035/0	1	4	p. 19	381003253/0	4	4	p. 11
119216035/0	2	2	p. 17	381003398/0	3	1	p. 3
122033283/0	8	1	p. 17	381004732/0	1	1	p. 3
122041957/1	11	1	p. 17	381005149/0	2	1	p. 11
122041966/0	8	1	p. 13	381005151/0	3	1	p. 11
122041966/0	11	1	p. 13	381006720/0	1	1	p. 11
122110230/0	15	1	p. 17	381007478/1	4	2	p. 19
122131750/0	6	4	p. 11	381007483/1	2	2	p. 19
122140222/0	4	1	p. 7	381007525/0	1	1	p. 13
122160400/0	4	1	p. 21	381008128/0	1	1	p. 23
122291050/0	13	1	p. 13	381030092/1	10	1	p. 13
122430313/0	2	1	p. 13	381103350/0	14	2	p. 11
122446192/0	41	1	p. 3	381302835/1	31	1	p. 3
122450063/0	12	1	p. 17	381486009/0	10	1	p. 23
122450456/0	7	1	p. 5	381486031/0	10	1	p. 23
122450460/0	32	1	p. 3				
122450465/0	4	1	p. 23				
122450466/0	2	1	p. 23				
122465607/3	2	1	p. 21				
122517869/1	8	1	p. 5				
122517882/0	3	1	p. 23				
122534131/0	2	1	p. 3				
122570133/0	40	1	p. 3				
122570134/0	37	1	p. 3				