

ST. S.P.A.

460 HSP140-3 (2017)

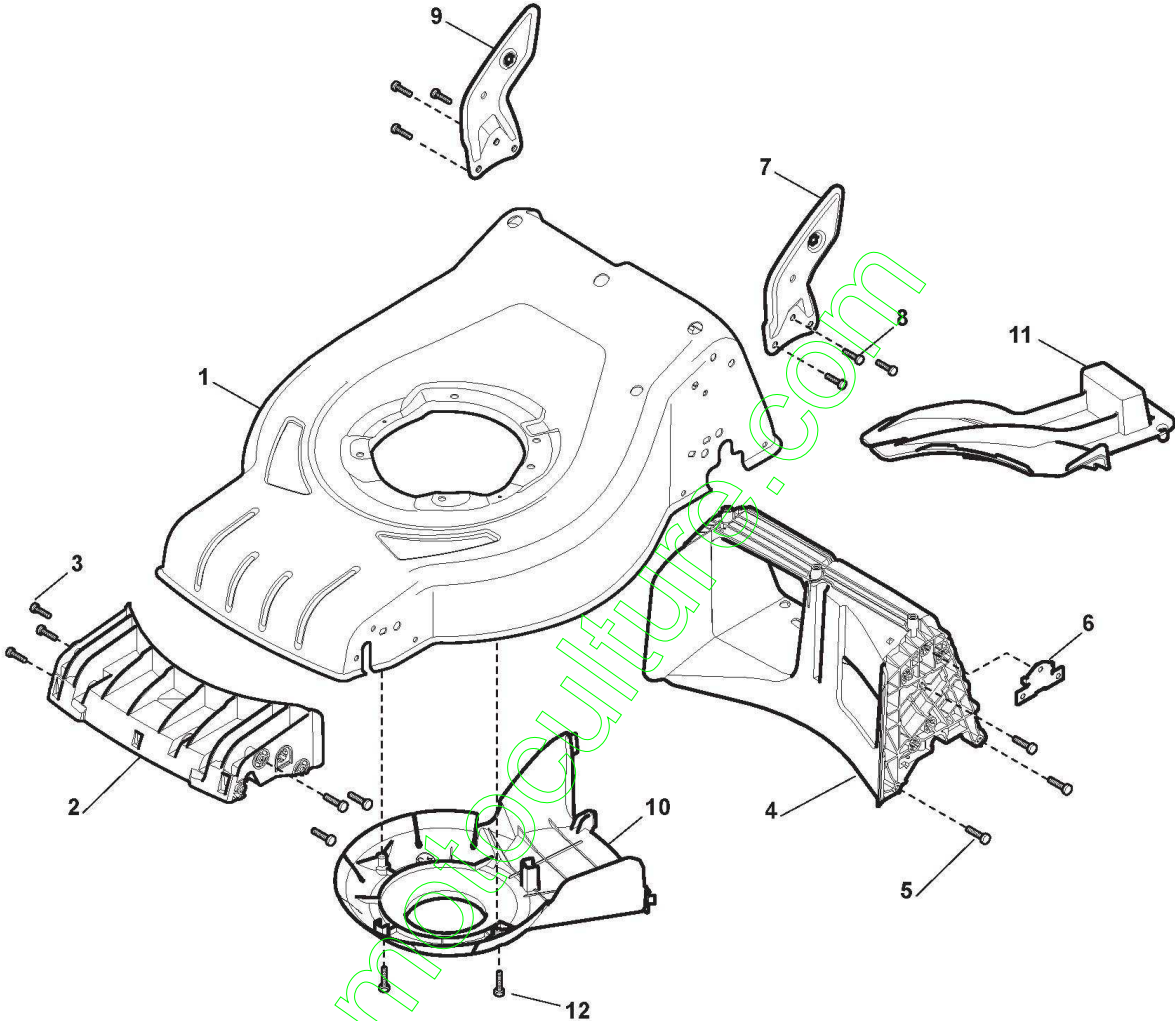
295486138/DEO

Spare parts list
Reservdelar
Repuestos
Ersatzteile
Pièces détachées
Reserve onderdelen
Catalogo ricambi

www.emc-motoculture.com

- Use ST. S.p.A. Genuine Spare Parts specified in the parts list for repair and/or replacement.
- The contents described in the parts list may change due to improvement.
- The drawings of the spare parts are only indicative And might Not represent the part in question exactly.
- The indications "right" - "left" - "front" - "rear" refer to the position of the operator when using the machine.
- When placing orders of parts for repair And/Or replacement, make sure that the illustrated parts list is the one applying to the machine's year of manufacture, as shown on the identification plate attached to the machine.

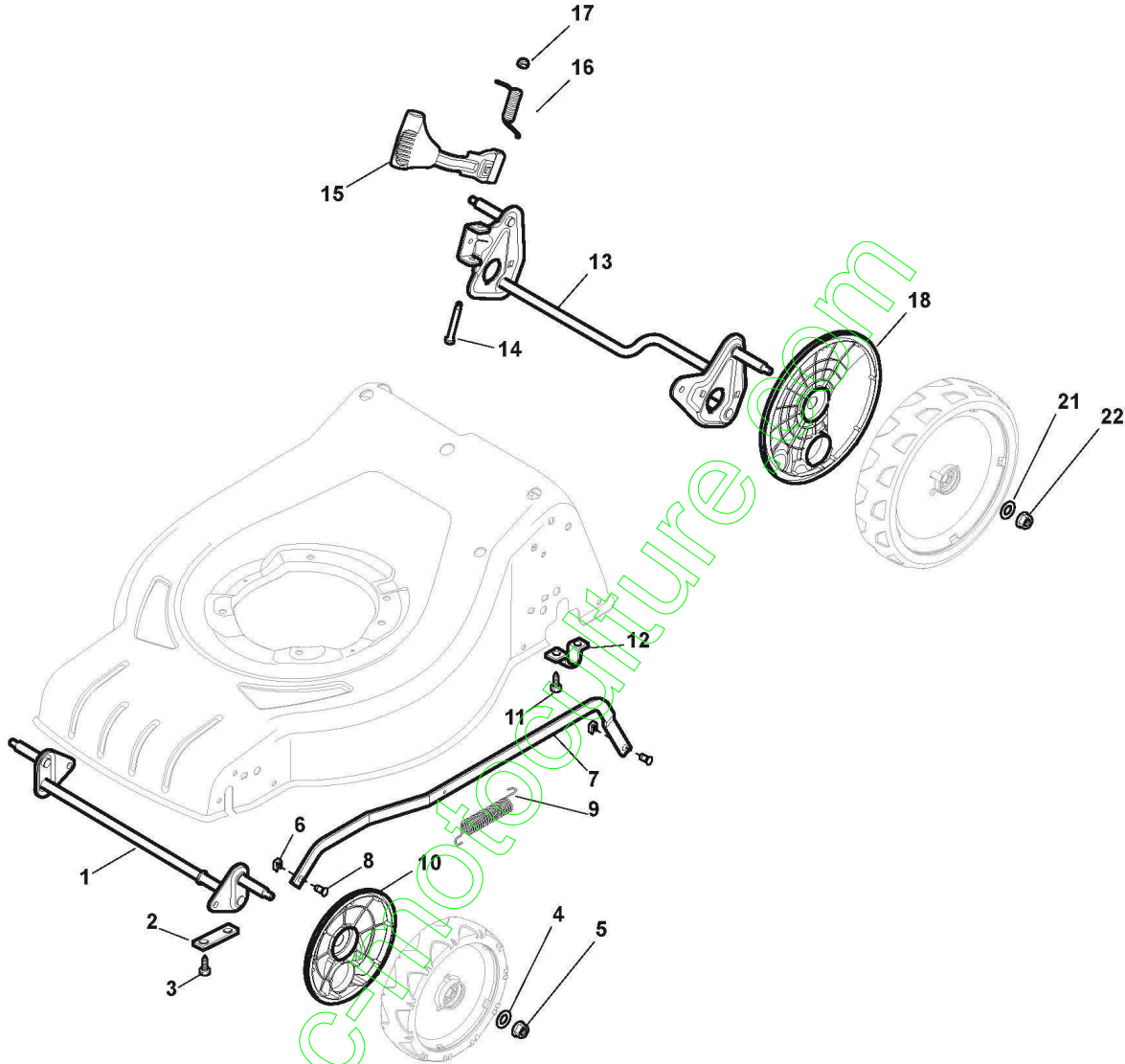
All rights reserved. No part Of this material may be reproduced Or transmitted, in any form Or by any means, electronic Or mechanical, including photocopying, recording Or by any information storage And retrieval system, without permission in writing from ST. S.p.A.



Châssis

| Réf. N° | Q.té : | Code article | Description | Articles | De | Jusqu'à |
|---------|--------|--------------|------------------------|----------|-----------|---------|
| 1 | 1 | 381004729/0 | Châssis Gris | | | |
| 2 | 1 | 322108301/0 | Ens. Convoyeur Avant | | | To |
| 2 | 1 | 322108301/1 | Ens. Convoyeur Avant | | From | |
| 3 | 6 | 112728699/0 | Vis | | 01-Septem | |
| 4 | 1 | 322108302/0 | Ens. Convoyeur Arriere | | ber-2011 | |
| 5 | 6 | 112728699/0 | Vis | | | |
| 6 | 2 | 322545213/0 | Plaquette | | | |
| 7 | 1 | 381005139/0 | Bride Gauche | | | |
| 8 | 6 | 112727801/0 | Vis | | | |
| 9 | 1 | 381005137/0 | Bride Droit | | | |
| 10 | 1 | 322060242/0 | Protection Courroie | | | |
| 11 | 1 | 322140239/0 | Deflecteur | | | |
| 12 | 2 | 112728530/0 | Vis | | | |

www.emc-motoculture.com

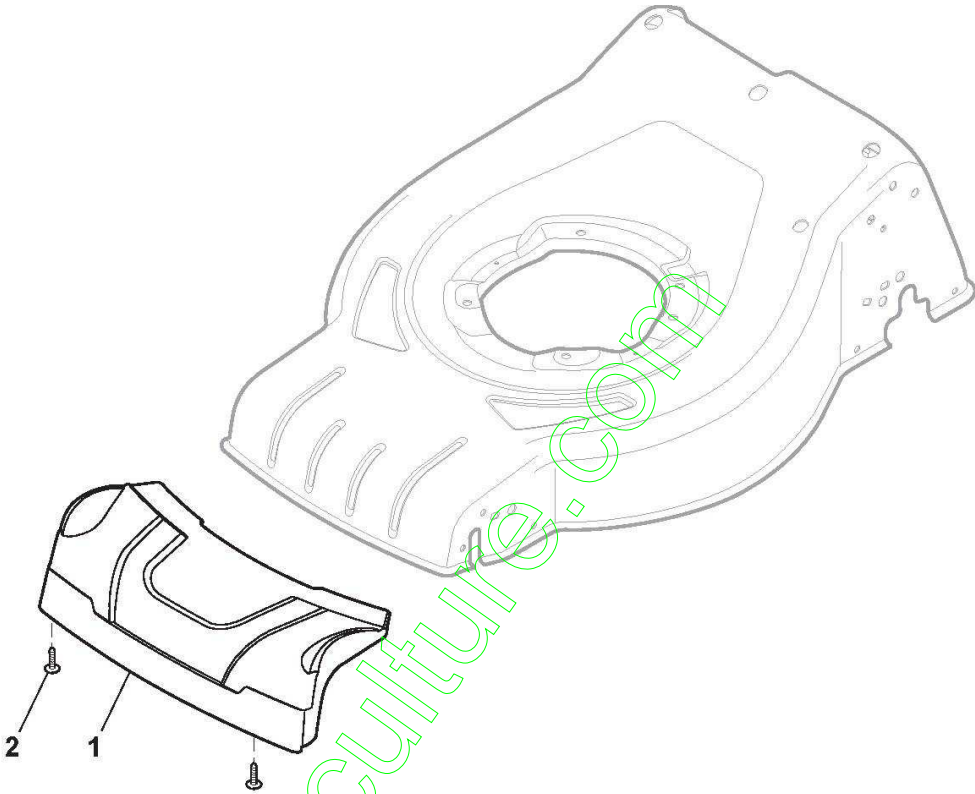


www.encyclopedie.com

Reglage Hauteur Decoupe

| Réf. N° | Q.té : | Code article | Description | Articles | De | Jusqu'à |
|---------|--------|--------------|-------------------------------|----------------------------|--------------------------------|------------------------------|
| 1 | 1 | 381302821/0 | Axe Roues Avant | | | To S/N 20BA2WBH 054315 |
| 1 | 1 | 381302821/1 | Axe Roues Avant | | From S/N 20BA2WBH 070583 | |
| 2 | 2 | 322545142/0 | Plaquette | | | |
| 3 | 4 | 112728698/0 | Vis | | | |
| 4 | 2 | 112521350/0 | Rondelle | | | |
| 5 | 2 | 112155000/0 | Ecrou | | | |
| 6 | 2 | 112436050/0 | Plaquette | | | |
| 7 | 1 | 322869673/0 | Tige Commande Reglage Hauteur | | | To S/N 20BA2WBH 061216 |
| 7 | 1 | 322869673/1 | Tige Commande Reglage Hauteur | | From S/N 20BA2WBH 070583 | |
| 8 | 2 | 122519820/0 | Pivot | | | |
| 9 | 1 | 122446193/0 | Ressort | | | |
| 10 | 2 | 322600247/0 | Protection Roue | As Optional | | |
| 11 | 4 | 112728698/0 | Vis | | | |
| 12 | 2 | 322545152/0 | Plaquette | | | |
| 13 | 1 | 381302817/0 | Axe Roues Arriere | | | To S/N 20BA2WBH 061216 |
| 13 | 1 | 381302817/1 | Axe Roues Arriere | | From S/N 20BA2WBH 070583 | |
| 14 | 1 | 122534131/0 | Pivot | | | |
| 15 | 1 | 381003357/0 | Levier, Reglage Hauteur | for others brand models | | To S/N 20BA2WBH 061216 |
| 15 | 1 | 381003357/1 | Levier, Reglage Hauteur | with Standard Black Knob | From S/N 20BA2WBH 076281 | |
| 15 | 1 | 381003457/0 | Levier, Reglage Hauteur | for STIGA brand models | | To S/N 20BA2WBH 061216 |
| 15 | 1 | 381003457/1 | Levier, Reglage Hauteur | with STIGA Logo Black Knob | From S/N 20BA2WBH 073719 | |
| 16 | 1 | 122446192/0 | Ressort | | | |
| 17 | 1 | 112154510/0 | Ecrou | | | |
| 18 | 2 | 322600205/0 | Protection Roue | | | To S/N 20BA2WBH 061216 |
| 18 | 1 | 322600205/1 | Protection Roue | | From 01-Septem ber-2014 | |
| 21 | 2 | 112521350/0 | Rondelle | | | |
| 22 | 2 | 112155000/0 | Ecrou | | | |

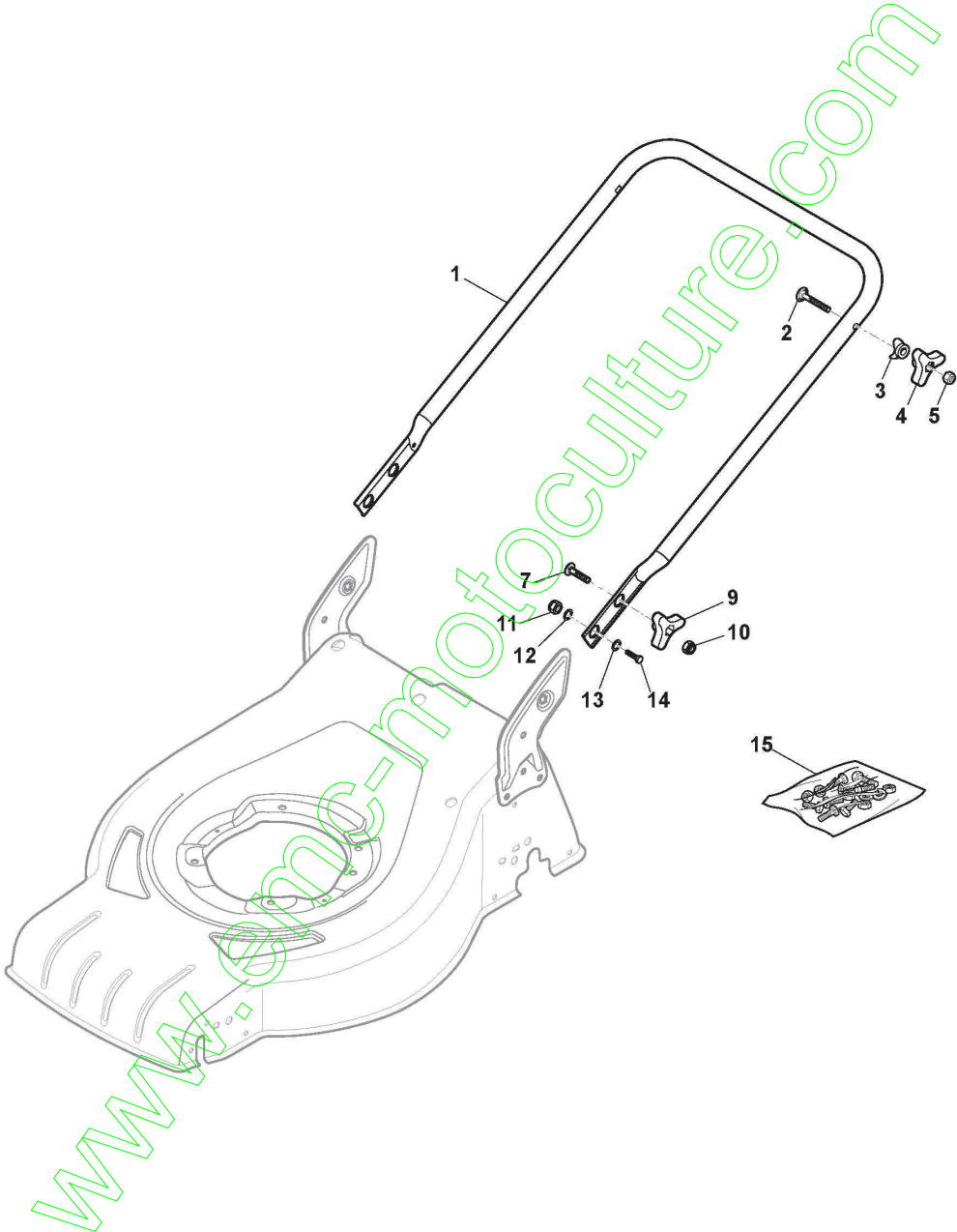
www.emc-motoculture.com



Mesque

| Réf. N° | Q.té : | Code article | Description | Articles | De | Jusqu'à |
|---------|--------|--------------|--------------|----------|----|---------|
| 1 | 1 | 322226170/0 | Mesque, Noir | | | |
| 2 | 2 | 112728698/0 | Vis | | | |

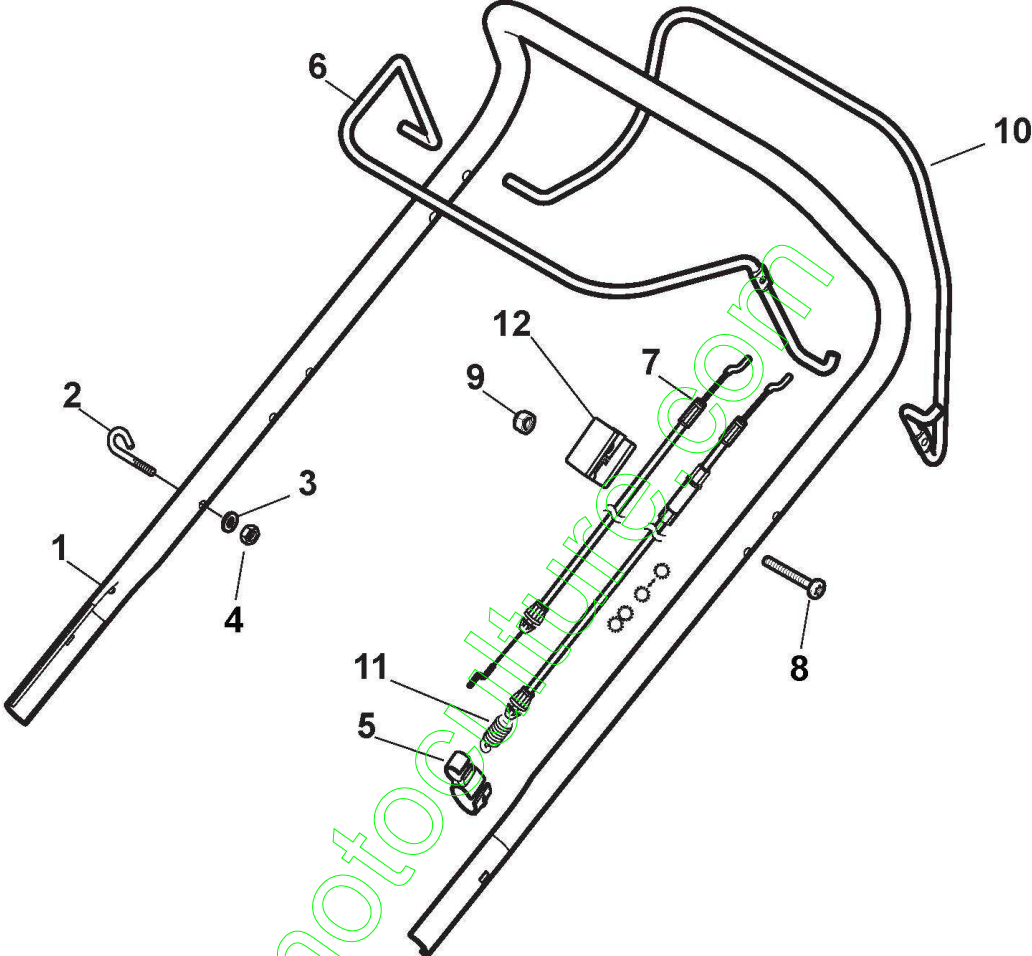
www.emc-motoculture.com



Mancheron, Partie Inferieure

| Réf. N° | Q.té : | Code article | Description | Articles | De | Jusqu'à |
|---------|--------|--------------|-----------------------------------|----------|----|---------|
| 1 | 1 | 381006737/0 | Mancheron, Partie Inferieure Noir | Black | | |
| 2 | 2 | 112819110/0 | Vis | | | |
| 3 | 2 | 122671651/0 | Rondelle | | | |
| 4 | 2 | 122399900/0 | Poignée Noir | Black | | |
| 5 | 2 | 112293200/0 | Ecrou | | | |
| 7 | 2 | 112818900/0 | Vis | | | |
| 9 | 2 | 122399900/0 | Poignée Noir | Black | | |
| 10 | 2 | 112293200/0 | Ecrou | | | |
| 11 | 2 | 112155000/0 | Ecrou | | | |
| 12 | 2 | 112521350/0 | Rondelle | | | |
| 13 | 2 | 112369500/0 | Disque Elastique | | | |
| 14 | 2 | 112760605/0 | Vis | | | |
| 15 | 1 | 381008691/0 | Dotation Visserie | Black | | |

www.emc-motoculture.com

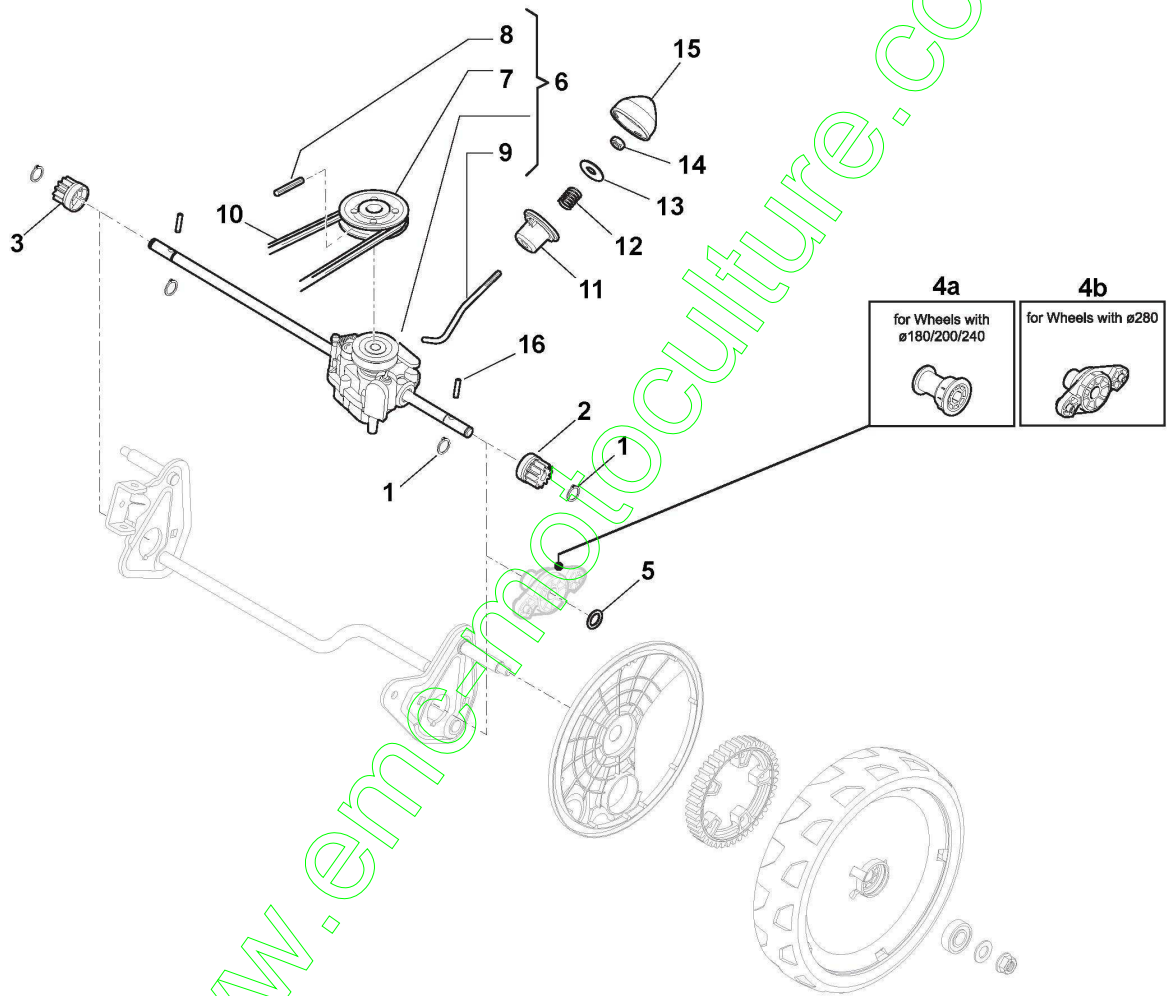


www.emc-motoculture.com

Mancheron, Partie Superieure

| Réf. N° | Q.té : | Code article | Description | Articles | De | Jusqu'à |
|---------|--------|--------------|---|-----------------------------------|-------------------|-----------------|
| 1 | 1 | 381006739/0 | Mancheron, Partie Superieure | Black without Sponge Grip | | To |
| 1 | 1 | 381006739/1 | Mancheron, Partie Superieure | Black without Sponge Grip | From | 31-August-2011 |
| 1 | 1 | 381006739/2 | Mancheron, Partie Superieure | Black without Sponge Grip | From | |
| 1 | 1 | 381006745/0 | Mancheron, Partie Superieure Avec Éponge Poignée | Black with Sponge Grip | 01-September-2017 | To |
| 1 | 1 | 381006745/1 | Mancheron, Partie Superieure avec éponge poignée | Black with Sponge Grip | From | 31-August-2017 |
| 1 | 1 | 381006745/2 | Mancheron, Partie Superieure avec éponge poignée | Black with Sponge Grip | From | To |
| 1 | 1 | 381006745/3 | Mancheron Noir, Partie Superieure avec éponge poignée | Black with Sponge Grip | 01-September-2018 | 31-August- |
| 2 | 1 | 122430313/0 | Ressort De Guide | Not used on Electric Start Models | | |
| 3 | 1 | 112521330/0 | Rondelle | Not used on Electric Start Models | | |
| 4 | 1 | 112154510/0 | Ecrou | Not used on Electric Start Models | | |
| 5 | 1 | 118390020/0 | Fixation Cable | | | |
| 6 | 1 | 381003376/0 | Levier Frein Moteur Rouge | Red | | |
| 7 | 1 | 181030069/0 | Cable Frein Moteur | | | To |
| 7 | 1 | 181030069/1 | Cable Frein Moteur | | From | 31-August-2012 |
| 8 | 1 | 112727783/0 | Vis | | | |
| 9 | 1 | 112154510/0 | Ecrou | | | |
| 10 | 1 | 181003364/0 | Levier Traction | Black | | |
| 11 | 1 | 381030051/0 | Câble, Commande Traction | | | |
| 12 | 1 | 322551640/0 | Support de câble | | | To S/N |
| 12 | 1 | 322551685/0 | Support de câble ø22 | | From S/N | 20AA2WBH 066503 |

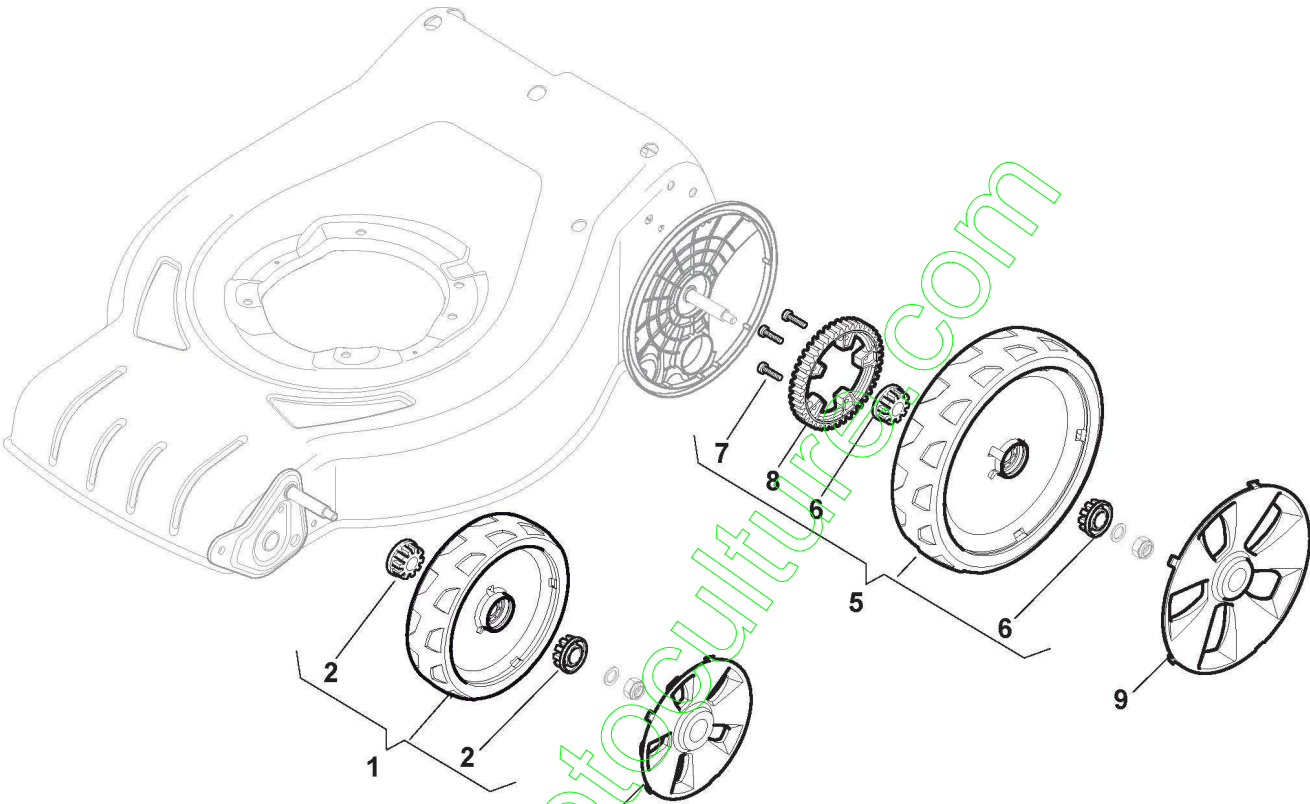
www.emc-motoculture.com



Groupe Traction

| Réf. N° | Q.té : | Code article | Description | Articles | De | Jusqu'à |
|---------|--------|--------------|-----------------------|-------------------------------|------|--------------------------|
| 1 | 4 | 112608600/0 | Seeger | | | |
| 2 | 1 | 122570120/1 | Pignon Gauche | Metal | | |
| 2 | 1 | 322570139/0 | Pignon Gauche | Plastic | | |
| 3 | 1 | 122570110/1 | Pignon Droit | Metal | | |
| 3 | 1 | 322570138/0 | Pignon Droit | Plastic | | |
| 4a | 2 | 322042066/0 | Douille | For wheels ø180/200/240 | | |
| 5 | 2 | 112521371/0 | Rondelle | | | |
| 6 | 1 | 181003092/0 | Groupe Traction | | | |
| 7 | 1 | 122601904/0 | Poulie | | | |
| 7 | 1 | 122601909/0 | Poulie | | From | To 31-August- 2013 |
| 8 | 1 | 112645705/0 | Goupille Élastique | ø5X32 | | |
| 9 | 1 | 122033283/0 | Tige Reglage | | | |
| 10 | 1 | 1111-9123-01 | Courroie | Stiga Packed into 135063800/0 | | |
| 10 | 1 | 135063800/0 | Courroie Trapézoïdale | | | |
| 11 | 1 | 122041957/1 | Douille | | | |
| 12 | 1 | 122450063/0 | Ressort | | | |
| 13 | 1 | 322680009/0 | Rondelle | | | |
| 14 | 1 | 112154510/0 | Ecrou | | | |
| 15 | 1 | 122110230/0 | Couvre Moyeu | | | |
| 16 | 2 | 122753000/0 | Goupille | | | |

www.emc-motoculture.com

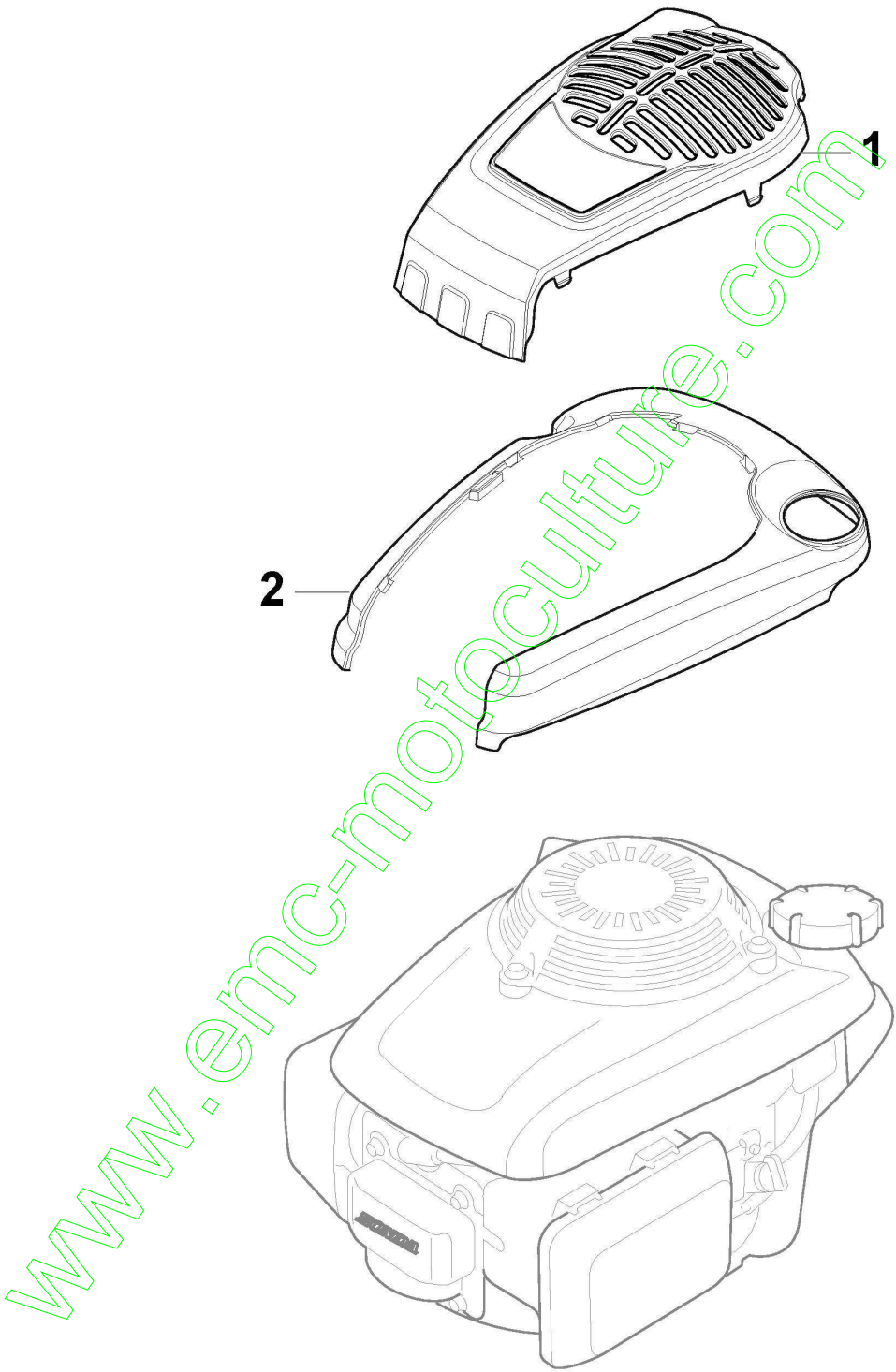


www.emc-motoculture.com

Roues et Couvre-Moyeu

| Réf. N° | Q.té : | Code article | Description | Articles | De | Jusqu'à |
|---------|--------|--------------|-------------------|----------|------|----------------|
| 1 | 2 | 381007442/0 | Roue - Short Hub | | | To |
| 1 | 2 | 381007442/1 | Roue - Short Hub | | From | 31-August-2012 |
| 2 | 4 | 322042064/0 | Douille | | | |
| 3 | 2 | 322110636/0 | Couvre-Moyeu Gris | | | |
| 5 | 2 | 381007462/0 | Roue | | | To |
| 5 | 2 | 381007462/1 | Roue | | From | 31-August-2012 |
| 6 | 4 | 322042064/0 | Douille | | | |
| 7 | 6 | 112728706/0 | Vis | | | |
| 8 | 2 | 322120117/0 | Couronne | | | |
| 9 | 2 | 322110637/0 | Couvre-Moyeu Gris | | | |

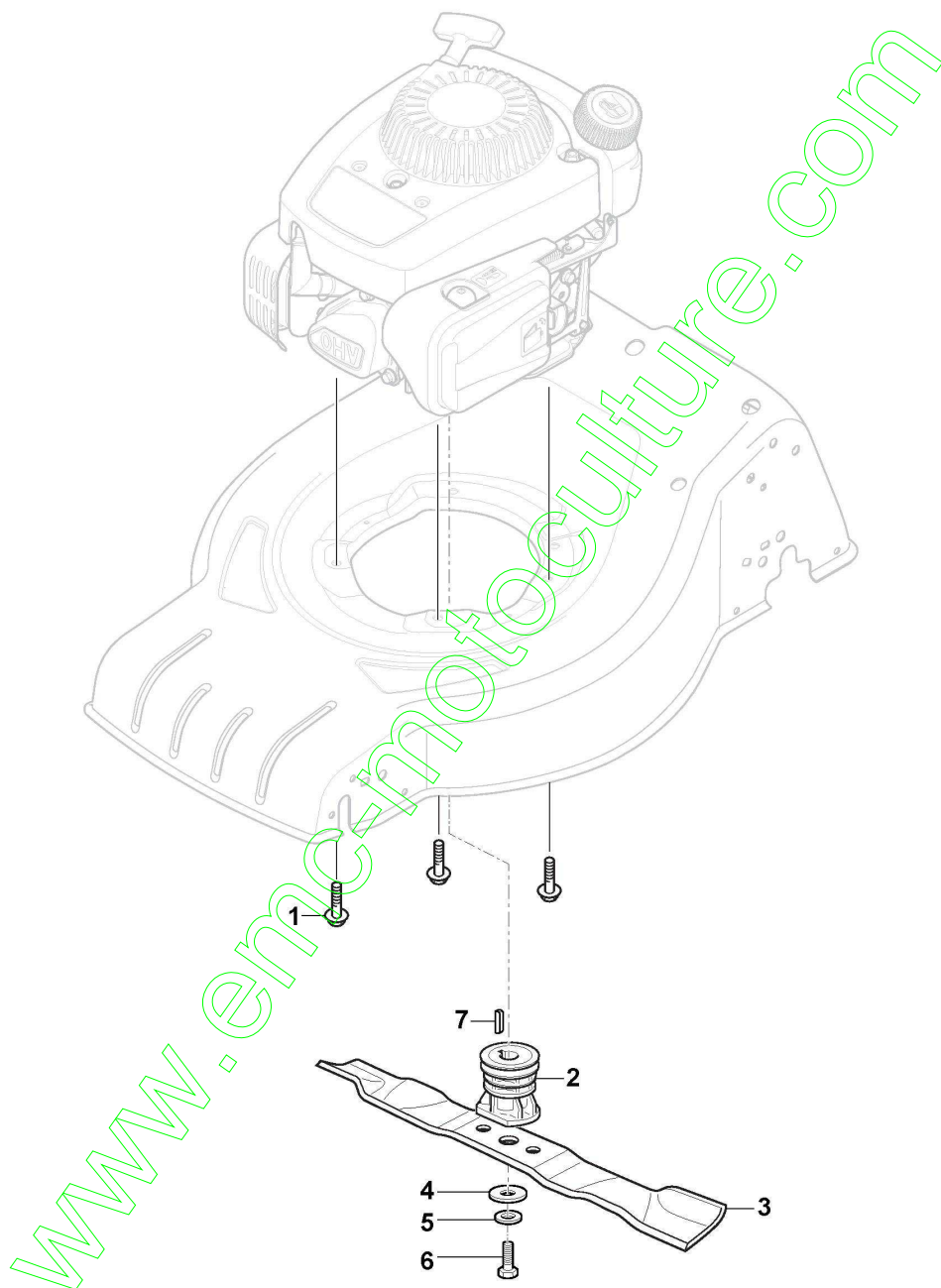
www.emc-motoculture.com



Honda Engine Cover

| Réf. N° | Q.té : | Code article | Description | Articles | De | Jusqu'à |
|---------|--------|--------------|-----------------------|----------|-------------------------------|---------|
| 1 | 1 | 322055514/0 | Couverture, Gris | | | |
| 2 | 1 | 322055515/0 | Yellow Engine Cowling | | | To |
| 2 | 1 | 322055515/1 | Yellow Engine Cowling | | From 01-Septem ber-2015 | |

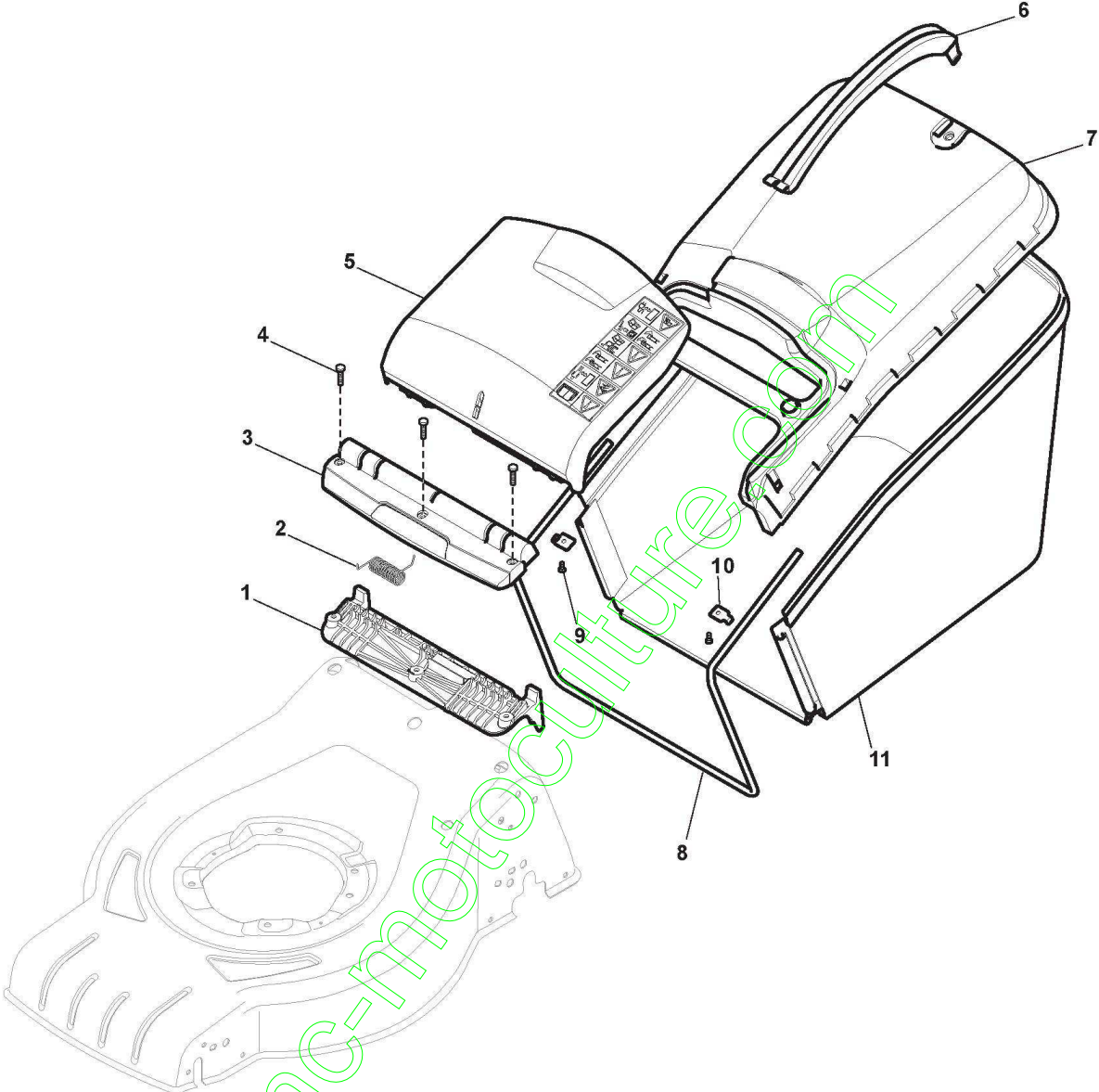
www.emc-motoculture.com



Lame De Coupe

| Réf. N° | Q.té : | Code article | Description | Articles | De | Jusqu'à |
|---------|--------|--------------|--|-------------------------------|---------------------|----------------------------|
| 1 | 3 | 112735108/1 | Vis | | | |
| 2 | 1 | 1111-9120-01 | Moyeu Lame (Ø 22.2) | Stiga Packed into 122465607/4 | | |
| 2 | 1 | 122465607/3 | Moyeu Avec Poulie, Arbre Moteur Ø 22.2 | | | To 31-Decemb er-2018 |
| 2 | 1 | 122465607/4 | Moyeu Avec Poulie, Arbre Moteur Ø 22.2 | | From 01-January- | |
| 3 | 1 | 1111-9278-01 | Lame Mulching (STIGA Pack) | Stiga Packed into 181004460/0 | | To 31-August- 2018 |
| 3 | 1 | 1111-9278-02 | Lame Mulching | Stiga Packed into 181004460/0 | From | |
| 3 | 1 | 181004460/0 | Lame Mulching | | | |
| 4 | 1 | 122160400/0 | Disque Elastique | | | To |
| 4 | 1 | 322680021/0 | Rondelle | | From 01-April-20 | |
| 4 | 1 | 322680021/1 | Rondelle | | From | |
| 5 | 1 | 112508125/0 | Disque Elastique | | From 01-April-20 | To 31-Decemb er-2018 |
| 5 | 1 | 112508128/0 | Disque Elastique | | From | |
| 5 | 1 | 112523080/0 | Rondelle | | | To 31-March-2 018 |
| 6 | 1 | 112735698/0 | Vis | | | |
| 7 | 1 | 112139100/0 | Languette | | | |

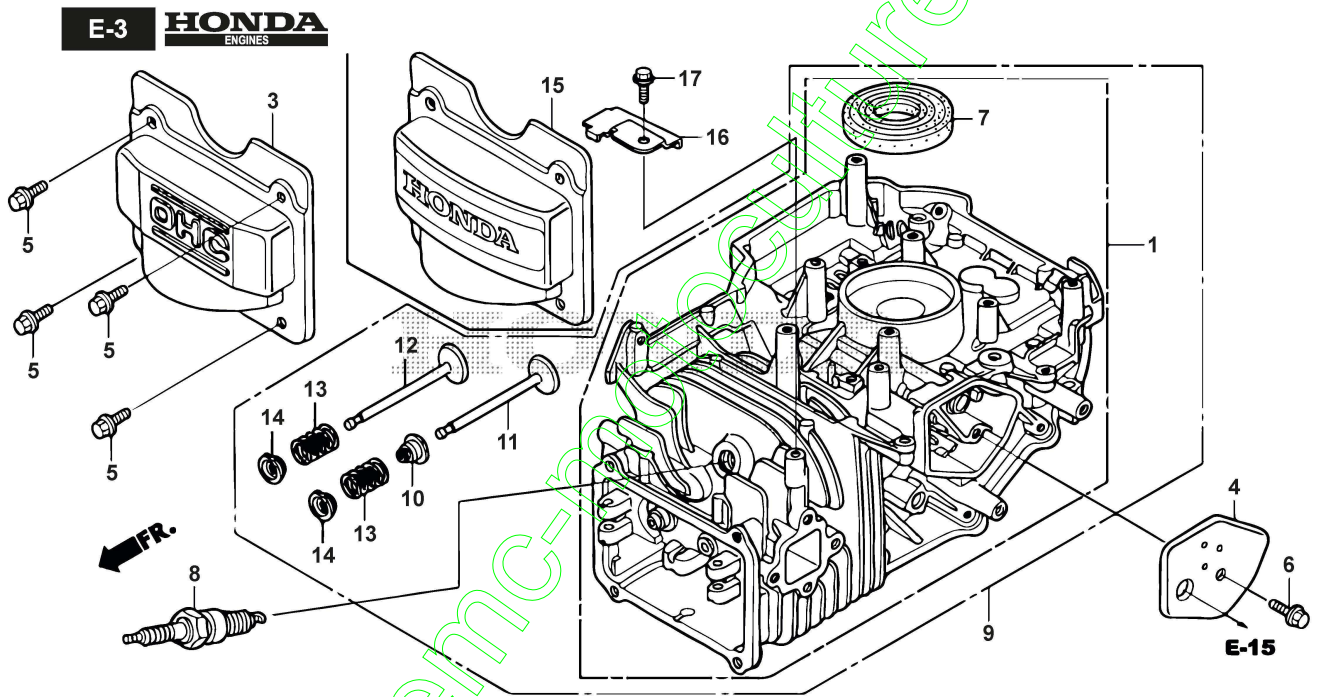
www.emc-motoculture.com



Sac De Ramassage D'Herbe

| Réf. N° | Q.té : | Code article | Description | Articles | De | Jusqu'à |
|---------|--------|--------------|----------------------------|----------|------|--------------------------|
| 1 | 1 | 322785331/0 | Support Pare-Pierres, Noir | | | |
| 2 | 1 | 122450464/0 | Ressort | | | |
| 3 | 1 | 322109554/0 | Pare-Pierres Couvre, Noir | Black | | To 31-August- 2018 |
| 3 | 1 | 322109557/0 | Pare-Pierres Couvre, Gris | Grey | | |
| 4 | 3 | 112728699/0 | Vis | | | |
| 5 | 1 | 322600206/1 | Pare-Pierres, Noir | Black | | |
| 5 | 1 | 322600216/0 | Prallblech, Grau | Grey | | To 31-August- 2011 |
| 5 | 1 | 322600216/1 | Pare-Pierres, Gris | Grey | From | |
| 6 | 1 | 322393644/0 | Poignée Noir | Black | | |
| 6 | 1 | 322393649/0 | Poignée Gris | Grey | | |
| 7 | 7 | 322486262/0 | Korb Oberteil, Schwarz | Black | | |
| 7 | 1 | 322486270/0 | Sac, Partie Superieure | Grey | | |
| 8 | 1 | 122608561/0 | Réinforcement Inf | | | |
| 9 | 2 | 112728692/0 | Vis | | | |
| 10 | 2 | 322545159/0 | Plaquette | | | |
| 11 | 1 | 181002318/0 | Sac, Toile | | | |

www.emc-motoculture.com



Cylinder Barrel

| Réf. N° | Q.té : | Code article | Description | Articles | De | Jusqu'à |
|---------|--------|--------------|----------------------------|---|----|---------|
| 1 | 1 | 118551722/0 | Barrel Assy., Cylinder | Honda: 12000-Z8B-415 | | |
| 1 | 1 | 118551723/0 | Barrel Assy., Cylinder | Honda: 12000-Z8B-417 | | |
| 4 | 1 | 118551748/0 | Cover Comp., Breather | Honda: 12355-ZL8-000 | | |
| 5 | 4 | HONDA_SP | Honda Spare Parts | Honda: 90013-883-000 - BOLT, FLANGE, 6X12 (CT200) | | |
| 7 | 1 | 118552252/0 | Oil Seal, 25.4X62X6 | Honda: 91201-ZL8-003 | | |
| 8 | 1 | 118552279/0 | Plug, Spark (Bpr5Es) (Ngk) | Honda: 98079-55846 | | |
| 10 | 1 | 118551737/0 | Seal, Valve Stem | Honda: 12209-Z8B-003 | | |
| 11 | 1 | 118551855/0 | Valve, In. (Technostar) | Honda: 14711-ZL8-000 | | |
| 12 | 1 | 118551859/0 | Valve, Ex. (C8E) | Honda: 14721-Z8B-000 | | |
| 12 | 1 | 118551862/0 | Valve, Ex. (L8E) | Honda: 14721-ZL8-000 | | |
| 13 | 2 | 118551874/0 | Spring, Valve | Honda: 14751-ZL8-000 | | |
| 14 | 2 | 118551875/0 | Retainer, Valve Spring | Honda: 14771-Z0J-000 | | |
| 15 | 1 | 118551744/0 | Cover, Head | Honda: 12311-Z8B-000 | | |
| 16 | 1 | 118551962/0 | Bracket, Regulator | Honda: 16384-Z8B-000 | | |
| 17 | 1 | HONDA_SP | Honda Spare Parts | Honda: 90014-952-000 - BOLT, FLANGE, 6X14 (CT200) | | |

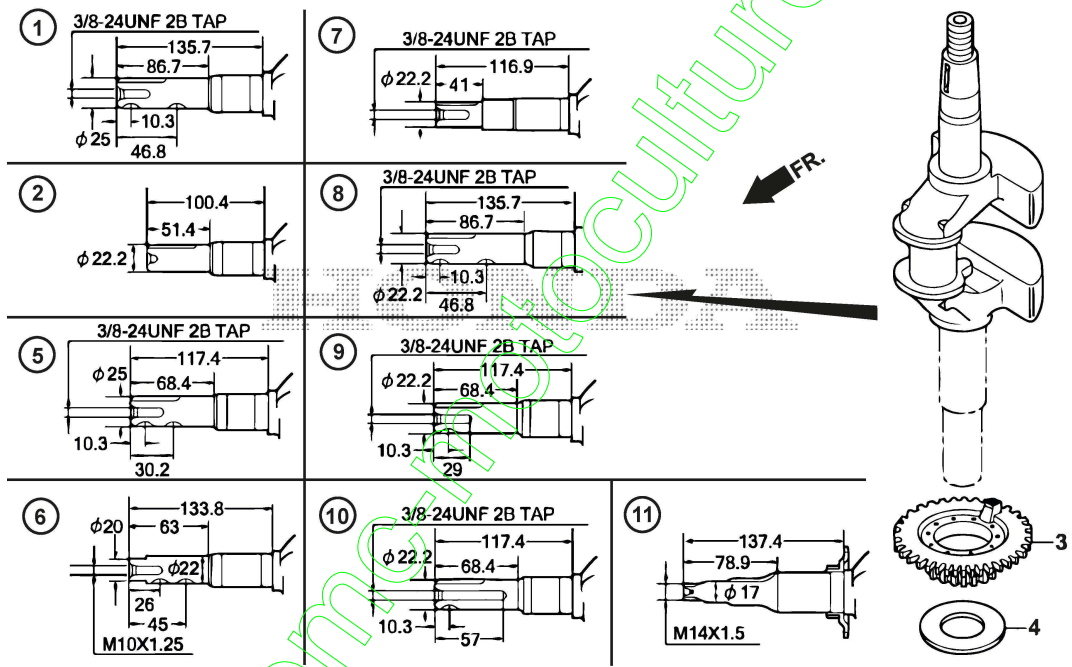
www.emc-motoculture.com

Oil Pan

| Réf. N° | Q.té : | Code article | Description | Articles | De | Jusqu'à |
|---------|--------|--------------|-------------------------|---|----|---------|
| 1 | 1 | 118551718/0 | Pan Assy., Oil | Honda: 11300-ZM0-405 | | |
| 2 | 1 | 118551918/0 | Gauge Assy., Oil Level | Honda: 15650-ZM0-801 | | |
| 4 | 1 | HONDA_SP | Honda Spare Parts | Honda: 15625-ZE6-000 - PACKING, OIL FILLER CAP | | |
| 5 | 1 | 118551913/0 | Extension, Oil Filler | Honda: 15631-ZM0-000 | | |
| 6 | 1 | 118551914/0 | Washer, Extension Lock | Honda: 15639-ZM0-000 | | |
| 8 | 1 | HONDA_SP | Honda Spare Parts | Honda: 16508-Z8B-003 - SHAFT COMP., GOVERNOR HOLDER | | |
| 9 | 1 | 118551968/0 | Governor Assy. | Honda: 16510-Z8B-000 | | |
| 10 | 2 | HONDA_SP | Honda Spare Parts | Honda: 16511-ZL8-000 - WEIGHT, GOVERNOR | | |
| 11 | 1 | HONDA_SP | Honda Spare Parts | Honda: 16512-ZM0-000 - HOLDER, GOVERNOR WEIGHT | | |
| 12 | 2 | HONDA_SP | Honda Spare Parts | Honda: 16513-ZE1-000 - PIN, GOVERNOR WEIGHT | | |
| 13 | 1 | HONDA_SP | Honda Spare Parts | Honda: 16531-ZE1-000 - SLIDER, GOVERNOR | | |
| 14 | 1 | 118551976/0 | Shaft, Governor Arm | Honda: 16541-Z8B-000 | | |
| 15 | 1 | HONDA_SP | Honda Spare Parts | Honda: 90014-952-000 - BOLT, FLANGE, 6X14 (CT200) | | |
| 16 | 8 | HONDA_SP | Honda Spare Parts | Honda: 90121-952-000 - BOLT, FLANGE, 6X25 (CT200) | | |
| 17 | 1 | HONDA_SP | Honda Spare Parts | Honda: 90451-ZE1-000 - WASHER, THRUST, 6MM | | |
| 18 | 1 | 118552244/0 | Clip, Governor Holder | Honda: 90602-ZE1-000 | | |
| 19 | 1 | 118552255/0 | Oil Seal, 28X41.25X6 | Honda: 91202-ZL8-003 | | |
| 20 | 1 | 118552266/0 | O-Ring, 14.8X2.4 (Arai) | Honda: 91303-KF0-003 | | |
| 21 | 1 | 118552273/0 | Washer, Plain, 6Mm | Honda: 94101-06800 | | |
| 22 | 1 | HONDA_SP | Honda Spare Parts | Honda: 94251-08000 - PIN, LOCK, 8MM | | |
| 23 | 2 | HONDA_SP | Honda Spare Parts | Honda: 90701-Z8B-000 - DOWEL PIN, 8X20 | | |

www.emc-motocycle.com

E-7-1 HONDA
ENGINES

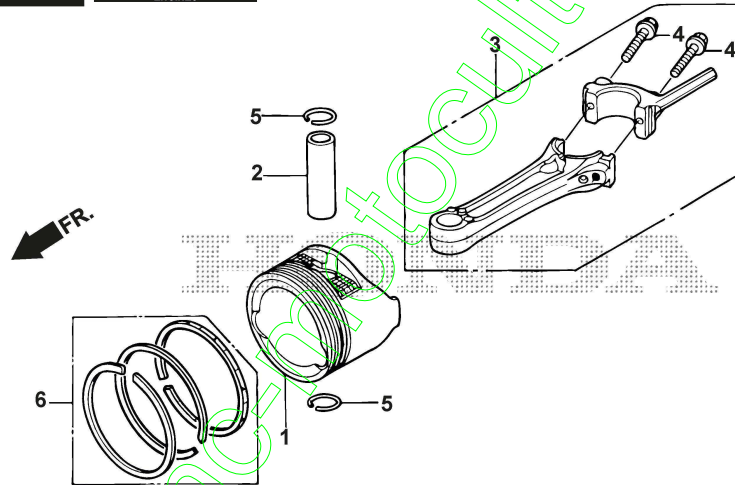


Crankshaft

| Réf. N° | Q.té : | Code article | Description | Articles | De | Jusqu'à |
|---------|--------|--------------|---------------------------|----------------------|----|---------|
| 3 | 1 | 118551810/0 | Pulley, Timing Belt Drive | Honda: 13621-Z8B-900 | | |
| 4 | 1 | 118552237/0 | Washer, Thrust | Honda: 90402-Z0Y-000 | | |
| 5 | 1 | 118551803/0 | Crankshaft | Honda: 13311-Z8B-950 | | |

www.emc-motoculture.com

E-8 **HONDA**
ENGINES



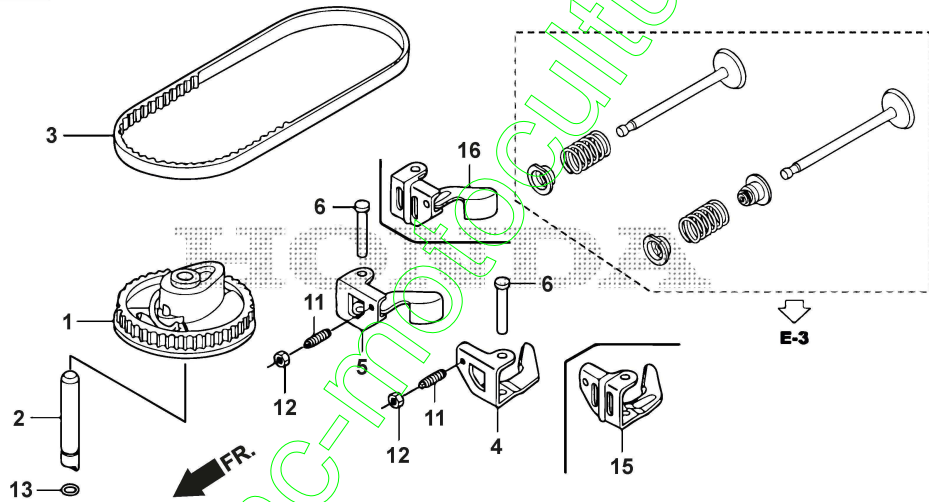
www.emotoculture.com

Piston/Connecting Rod

| Réf. N° | Q.té : | Code article | Description | Articles | De | Jusqu'à |
|---------|--------|--------------|-----------------------------------|--|----|---------|
| 1 | 1 | 118551774/0 | Piston | Honda: 13101-Z8A-900 | | |
| 2 | 1 | 118551783/0 | Pin, Piston | Honda: 13111-Z8B-000 | | |
| 3 | 1 | 118551790/0 | Rod Assy., Connecting | Honda: 13200-Z0J-000 | | |
| 4 | 2 | HONDA_SP | Honda Spare Parts | Honda: 90006-Z8B-000 - BOLT, CONNECTING ROD | | |
| 5 | 2 | 118552241/0 | Clip, Piston Pin, 13Mm | Honda: 90551-ZE0-000 | | |
| 6 | 1 | 118551758/0 | Ring Set, Piston (Std.) (Teikoku) | Honda: 13010-Z0L-014 | | |

www.emc-motoculture.com

E-10 **HONDA**
ENGINES



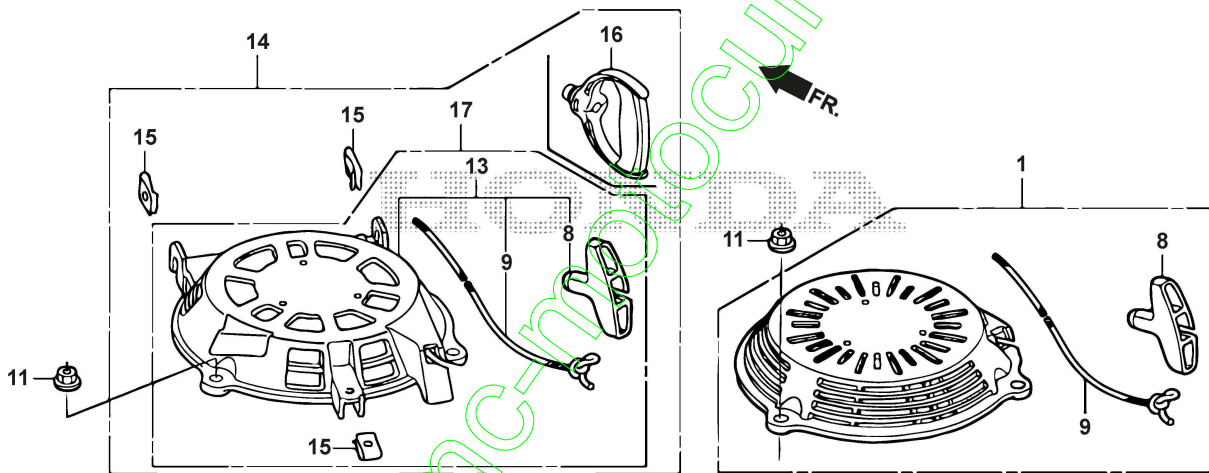
www.emc-motoculture.com

Cam Pulley

| Réf. N° | Q.té : | Code article | Description | Articles | De | Jusqu'à |
|---------|--------|--------------|----------------------------|----------------------|----|---------|
| 1 | 1 | 118551821/0 | Pulley Comp., Camshaft | Honda: 14320-Z8D-000 | | |
| 2 | 1 | 118551822/0 | Shaft, Cam Pulley | Honda: 14324-Z8B-000 | | |
| 3 | 1 | 118551826/0 | Belt, Timing (84Hu6 G-200) | Honda: 14400-Z8B-003 | | |
| 6 | 2 | 118551846/0 | Shaft, Rocker Arm | Honda: 14461-ZL8-000 | | |
| 11 | 2 | 118552220/0 | Screw, Tappet Adjusting | Honda: 90012-333-000 | | |
| 12 | 2 | 118552230/0 | Nut, Tappet Adjusting | Honda: 90206-001-000 | | |
| 13 | 1 | 118552263/0 | O-Ring, 6.8X1.9 (Arai) | Honda: 91301-ZM0-V31 | | |
| 15 | 1 | 118551831/0 | Arm, In. Valve Rocker | Honda: 14431-Z0J-000 | | |
| 16 | 1 | 118551838/0 | Arm, Ex. Valve Rocker | Honda: 14441-Z0J-000 | | |

www.emc-motoculture.com

E-11 **HONDA**
ENGINES



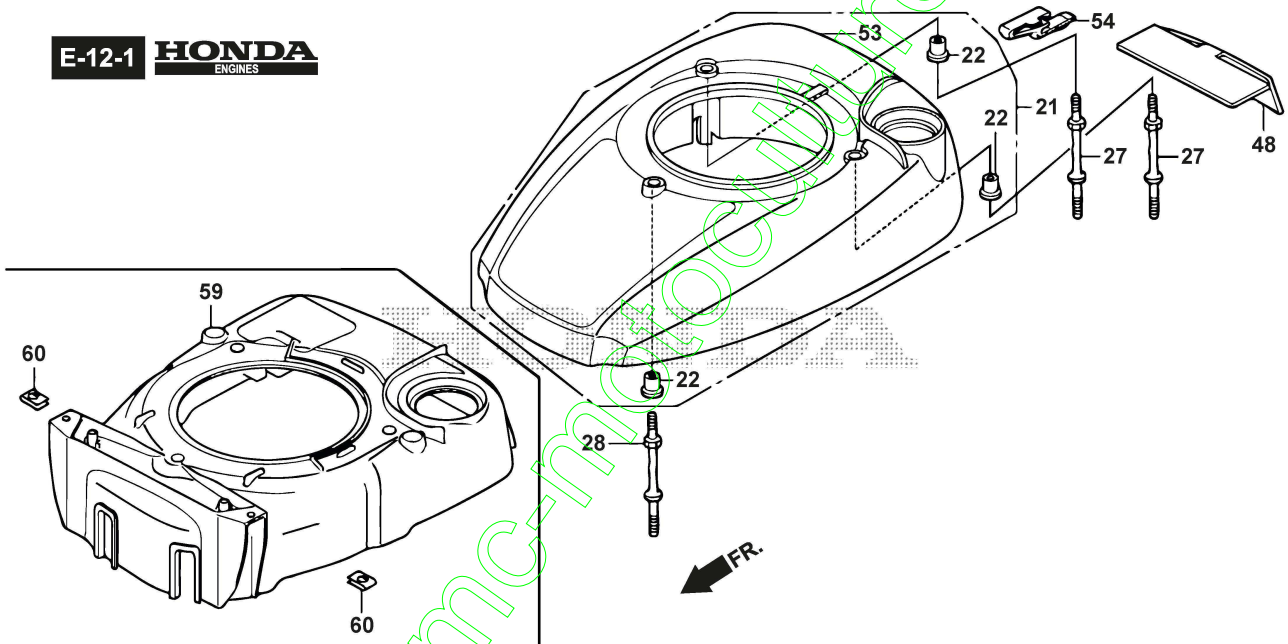
www.encyclopedieculture.com

Démarreur

| Réf. N° | Q.té : | Code article | Description | Articles | De | Jusqu'à |
|---------|--------|--------------|-----------------------------------|---|----|---------|
| 8 | 1 | 118552162/0 | Grip, Starter | Honda: 28461-ZL8-003 | | |
| 9 | 1 | HONDA_SP | Honda Spare Parts | Honda: 28462-ZL8-631 - ROPE, RECOIL STARTER (LONG TYPE) | | |
| 11 | 3 | HONDA_SP | Honda Spare Parts | Honda: 90201-ZM0-000 - NUT, FLANGE, 6MM | | |
| 15 | 1 | HONDA_SP | Honda Spare Parts | Honda: 90601-Z8B-003 - NUT, CLIP | | |
| 17 | 1 | 118551688/0 | Starter Assy., Recoil (Long Rope) | Honda: 28400-Z8B-V42 | | |

www.emc-motoculture.com

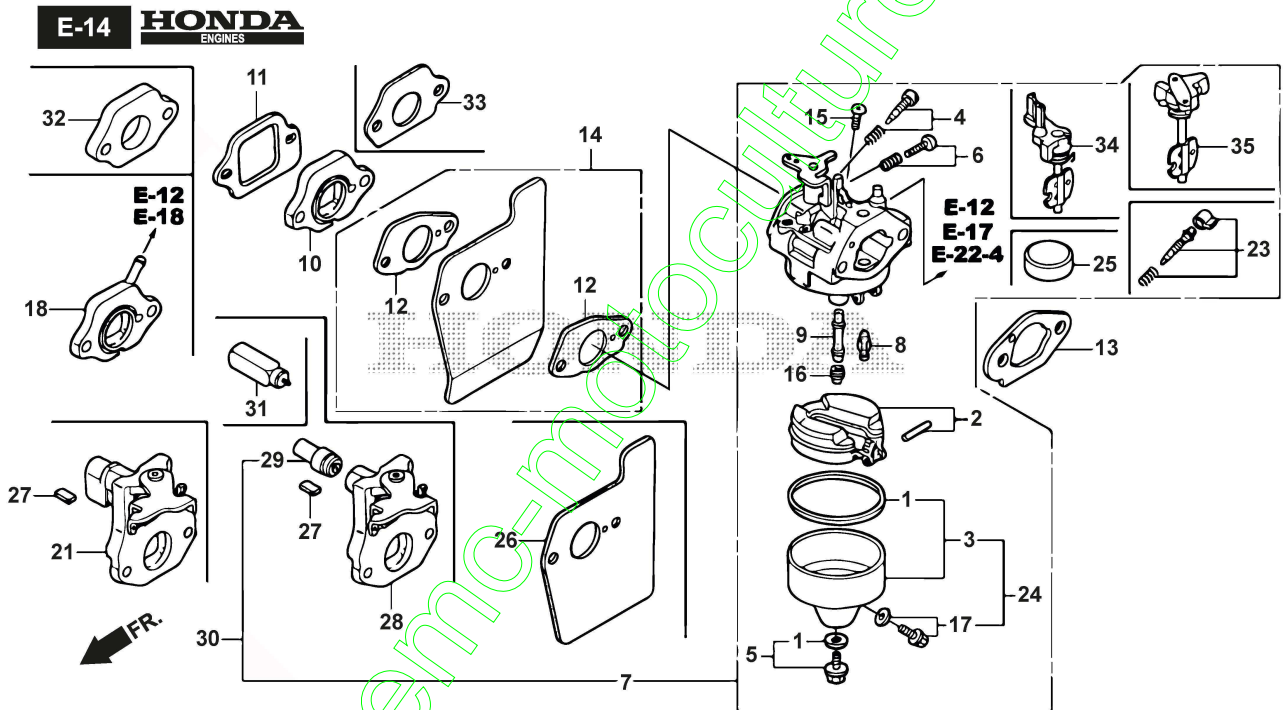
E-12-1 **HONDA**
ENGINES



Fan Cover

| Réf. N° | Q.té : | Code article | Description | Articles | De | Jusqu'à |
|---------|--------|--------------|---------------------------|--|----|---------|
| 6 | 1 | 118552021/0 | Cock Assy., Fuel | Honda: 16950-Z0Y-003 | | |
| 7 | 1 | 118552022/0 | Strainer, Fuel | Honda: 16952-Z8B-000 | | |
| 8 | 1 | HONDA_SP | Honda Spare Parts | Honda: 16961-Z0L-900 - STAY, FUEL COCK | | |
| 9 | 1 | 118552049/0 | Tank, Fuel | Honda: 17511-Z8B-801 | | |
| 10 | 1 | 118552051/0 | Seal, Fuel Filler Neck | Honda: 17514-Z0L-000 | | |
| 12 | 1 | 118552055/0 | Rubber A, Tank Mounting | Honda: 17532-Z8B-800 | | |
| 13 | 1 | 118552058/0 | Rubber B, Tank Mounting | Honda: 17533-Z8B-800 | | |
| 14 | 1 | 118552060/0 | Nut, Tank Mounting | Honda: 17534-Z0L-000 | | |
| 16 | 1 | 118552065/0 | Gauge, Fuel Level | Honda: 17636-Z0L-010 | | |
| 24 | 1 | HONDA_SP | Honda Spare Parts | Honda: 90013-883-000 - BOLT, FLANGE, 6X12 (CT200) | | |
| 25 | 1 | HONDA_SP | Honda Spare Parts | Honda: 90015-883-000 - BOLT, FLANGE, 6X28 (CT200) | | |
| 27 | 2 | 118552226/0 | Bolt, Stud (Fan Cover) | Honda: 90043-Z8D-010 | | |
| 28 | 1 | 118552226/0 | Bolt, Stud (Fan Cover) | Honda: 90043-Z8D-010 | | |
| 33 | 1 | HONDA_SP | Honda Spare Parts | Honda: 93913-25220 - SCREW, TAPPING, 5X12 (PO) | | |
| 35 | 1 | HONDA_SP | Honda Spare Parts | Honda: 91424-Z8B-901 - TUBE, FUEL, 4.5X110 | | |
| 36 | 1 | HONDA_SP | Honda Spare Parts | Honda: 91427-Z8B-901 - TUBE, FUEL, 7.3X160 | | |
| 37 | 2 | HONDA_SP | Honda Spare Parts | Honda: 95002-50000 - CLIP, TUBE (C9) | | |
| 39 | 2 | HONDA_SP | Honda Spare Parts | Honda: 95002-02130 - CLIP, TUBE (B12.5) | | |
| 53 | 1 | HONDA_SP | Honda Spare Parts | Honda: 19611-Z8B-900ZB - COVER, FAN *NH1* | | |
| 54 | 1 | 118552052/0 | Clip, Tank Mounting *Nh1* | Honda: 17516-Z8B-900ZD | | |
| 54 | 1 | HONDA_SP | Honda Spare Parts | Honda: 17516-Z8B-900ZE - CLIP, TANK MOUNTING *T89* | | |
| 55 | 2 | HONDA_SP | Honda Spare Parts | Honda: 90014-952-000 - BOLT, FLANGE, 6X14 (CT200) | | |
| 56 | 1 | 118552064/0 | Cap Assy., Fuel Tank | Honda: 17620-ZL8-023 | | |
| 57 | 1 | HONDA_SP | Honda Spare Parts | Honda: 17622-888-010 - SPONGE, FUEL CAP BREATHER | | |
| 58 | 1 | HONDA_SP | Honda Spare Parts | Honda: 17624-ZE7-000 - PACKING, FUEL CAP | | |
| 59 | 1 | 118552109/0 | Cover, Fan *Nh1* | Honda: 19611-Z8B-V40ZC | | |
| 60 | 2 | HONDA_SP | Honda Spare Parts | Honda: 66871-611-000 - NUT, CENTER PANEL | | |

www.eric-motocycle.com

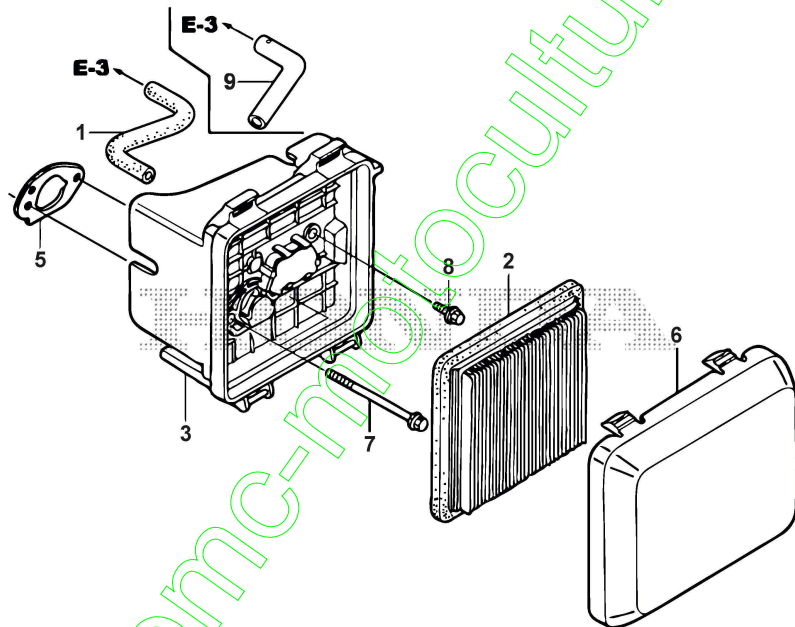


Carburetor

| Réf. N° | Q.té : | Code article | Description | Articles | De | Jusqu'à |
|---------|--------|--------------|----------------------------|--|----|---------|
| 1 | 1 | HONDA_SP | Honda Spare Parts | Honda: 16010-883-015 - PACKING SET | | |
| 2 | 1 | 118551931/0 | Float Set | Honda: 16013-ZL1-003 | | |
| 3 | 1 | 118551932/0 | Chamber Set, Float | Honda: 16015-ZOL-881 | | |
| 5 | 1 | 118551937/0 | Screw Set | Honda: 16028-ZK7-S91 | | |
| 6 | 1 | HONDA_SP | Honda Spare Parts | Honda: 16029-ZG0-901 - SCREW SET (THROTTLE STOP) | | |
| 7 | 1 | 118551651/0 | Carburetor Assy. (Bb76F A) | Honda: 16100-ZOL-N21 | | |
| 7 | 1 | 118551656/0 | Carburetor Assy. (Bb75G A) | Honda: 16100-Z8B-871 | | |
| 7 | 1 | 118551658/0 | Carburetor Assy. (Bb76A A) | Honda: 16100-Z8B-901 | | |
| 8 | 1 | HONDA_SP | Honda Spare Parts | Honda: 16155-ZM0-013 - VALVE, FLOAT | | |
| 9 | 1 | HONDA_SP | Honda Spare Parts | Honda: 16166-Z2C-003 - NOZZLE, MAIN | | |
| 9 | 1 | HONDA_SP | Honda Spare Parts | Honda: 16166-Z8B-901 - NOZZLE, MAIN | | |
| 11 | 1 | 118551949/0 | Packing, Insulator | Honda: 16212-ZL8-000 | | |
| 15 | 1 | HONDA_SP | Honda Spare Parts | Honda: 93500-050061H - SCREW, PAN, 5X6 | | |
| 16 | -1 | HONDA_SP | Honda Spare Parts | Honda: 99101-1240580 - JET, MAIN, #58 | | |
| 16 | 1 | HONDA_SP | Honda Spare Parts | Honda: 99101-1240650 - JET, MAIN, #65 | | |
| 16 | 1 | HONDA_SP | Honda Spare Parts | Honda: 99101-1240600 - JET, MAIN, #60 | | |
| 16 | -1 | HONDA_SP | Honda Spare Parts | Honda: 99101-1240550 - JET, MAIN, #55 | | |
| 16 | -1 | HONDA_SP | Honda Spare Parts | Honda: 99101-1240620 - JET, MAIN, #62 | | |
| 25 | 1 | HONDA_SP | Honda Spare Parts | Honda: 16148-Z1L-851 - CAP, CHOKE DUST | | |
| 26 | 1 | 118552122/0 | Guide, Air | Honda: 19651-ZOL-000 | | |
| 28 | 1 | 118552010/0 | Control Assy., Choke | Honda: 16600-Z8B-900 | | |
| 28 | 1 | 118552011/0 | Control Assy., Choke | Honda: 16600-Z8D-840 | | |
| 31 | 1 | 118552014/0 | Thermowax Assy. | Honda: 16620-Z8D-305 | | |
| 33 | 1 | 118551947/0 | Packing, Insulator | Honda: 16212-Z8B-900 | | |
| 34 | 1 | HONDA_SP | Honda Spare Parts | Honda: 16044-Z8B-901 - CHOKE SET | | |

www.erc-motoculture.com

E-15 **HONDA**
ENGINES

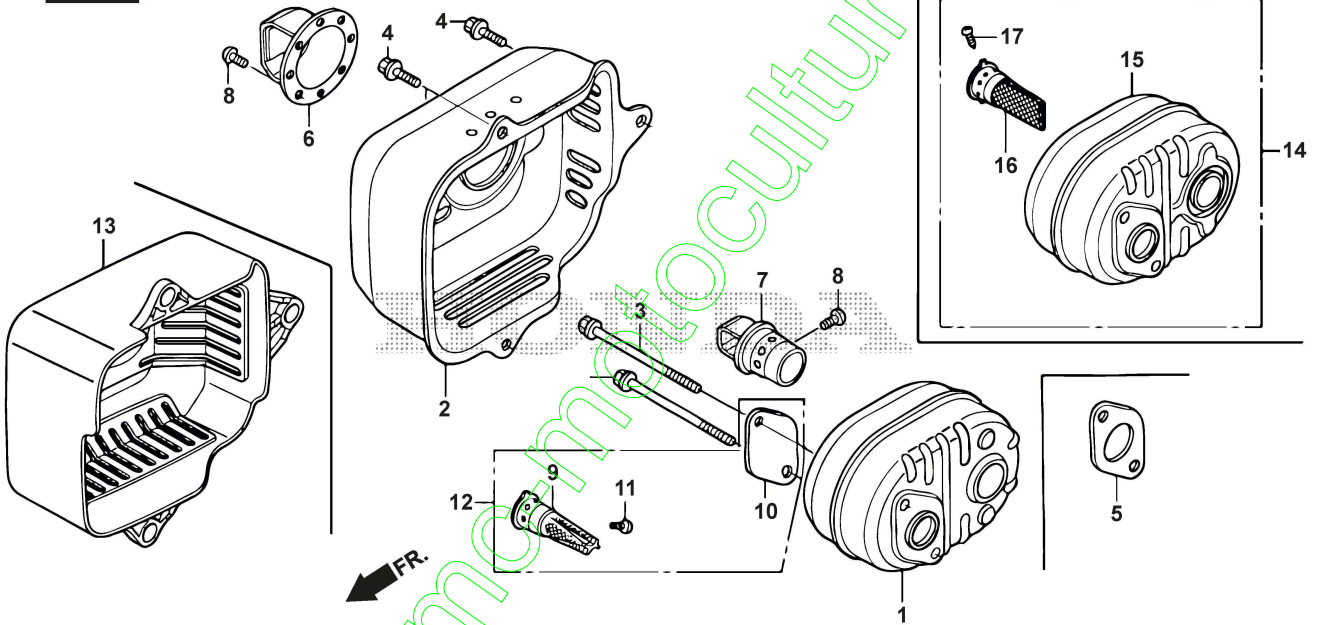


Air Cleaner

| Réf. N° | Q.té : | Code article | Description | Articles | De | Jusqu'à |
|---------|--------|--------------|------------------------------------|---|----|---------|
| 1 | 1 | 118551925/0 | Tube, Breather | Honda: 15721-ZM0-000 | | |
| 2 | 1 | 118551671/0 | Element, Air Cleaner (Wix Filters) | Honda: 17211-Z8B-901 | | |
| 2 | 1 | 118551672/0 | Element, Air Cleaner (Toyo Roki) | Honda: 17211-ZL8-023 | | |
| 3 | 1 | 118552034/0 | Case Assy., Air Cleaner | Honda: 17220-Z8B-010 | | |
| 3 | 1 | 118552036/0 | Case, Air Cleaner | Honda: 17221-Z8B-900 | | |
| 5 | 1 | 118552038/0 | Packing, Air Cleaner | Honda: 17228-Z8B-900 | | |
| 6 | 1 | 118551677/0 | Cover, Air Cleaner | Honda: 17231-Z0L-050 | | |
| 7 | 2 | HONDA_SP | Honda Spare Parts | Honda: 90003-Z8B-900 - BOLT, SPECIAL, 6MM | | |
| 9 | 1 | 118551922/0 | Tube, Breather | Honda: 15721-Z8B-900 | | |

www.emc-motoculture.com

E-16 **HONDA**
ENGINES



Muffler

| Réf. N° | Q.té : | Code article | Description | Articles | De | Jusqu'à |
|---------|--------|--------------|----------------------------|---|----|---------|
| 1 | 1 | 118552074/0 | Muffler Comp. | Honda: 18310-Z0Y-010 | | |
| 2 | 1 | 118552082/0 | Protector, Muffler | Honda: 18321-Z0L-810 | | |
| 3 | 2 | 118552219/0 | Bolt, Flange, 6X79 (Ct200) | Honda: 90004-ZL8-000 | | |
| 4 | 3 | HONDA_SP | Honda Spare Parts | Honda: 90013-883-000 - BOLT, FLANGE, 6X12 (CT200) | | |
| 5 | -1 | 118552087/0 | Gasket, Muffler | Honda: 18381-ZL8-305 | | |
| 9 | -1 | HONDA_SP | Honda Spare Parts | Honda: 18350-ZL8-000 - ARRESTER COMP., SPARK | | |
| 10 | -1 | HONDA_SP | Honda Spare Parts | Honda: 18356-ZL8-000 - PLATE, ARRESTER NUMBER | | |
| 12 | -1 | HONDA_SP | Honda Spare Parts | Honda: 06180-Z0J-000 - ARRESTER KIT, SPARK | | |
| 14 | -1 | HONDA_SP | Honda Spare Parts | Honda: 18300-Z8A-000 - MUFFLER ASSY. (ARRESTER) | | |
| 15 | -1 | HONDA_SP | Honda Spare Parts | Honda: 18310-Z8A-000 - MUFFLER COMP. | | |
| 16 | -1 | HONDA_SP | Honda Spare Parts | Honda: 18350-Z0Y-000 - ARRESTER COMP., SPARK | | |
| 17 | -1 | HONDA_SP | Honda Spare Parts | Honda: 90055-ZE1-000 - SCREW, TAPPING, 4X6 | | |

www.emc-motoculture.com

Fuel Tank

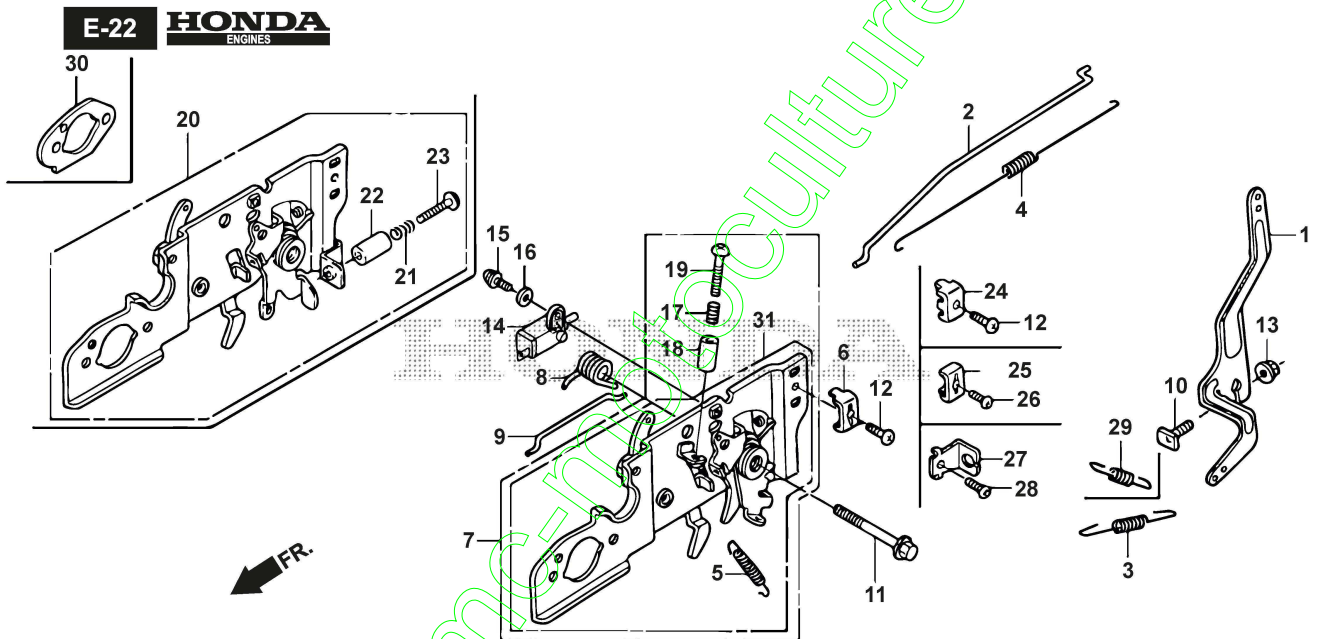
| Réf. N° | Q.té : | Code article | Description | Articles | De | Jusqu'à |
|---------|--------|--------------|-------------------------|---|----|---------|
| 3 | 1 | 118552021/0 | Cock Assy., Fuel | Honda: 16950-Z0Y-003 | | |
| 5 | 1 | 118552022/0 | Strainer, Fuel | Honda: 16952-Z8B-000 | | |
| 6 | 1 | HONDA_SP | Honda Spare Parts | Honda: 16961-Z0L-900 - STAY, FUEL COCK | | |
| 7 | 1 | 118552049/0 | Tank, Fuel | Honda: 17511-Z8B-801 | | |
| 8 | 1 | 118552051/0 | Seal, Fuel Filler Neck | Honda: 17514-Z0L-000 | | |
| 10 | 1 | 118552055/0 | Rubber A, Tank Mounting | Honda: 17532-Z8B-800 | | |
| 11 | 1 | 118552058/0 | Rubber B, Tank Mounting | Honda: 17533-Z8B-800 | | |
| 12 | 1 | 118552060/0 | Nut, Tank Mounting | Honda: 17534-Z0L-000 | | |
| 14 | 1 | 118552064/0 | Cap Assy., Fuel Tank | Honda: 17620-ZL8-023 | | |
| 15 | 1 | HONDA_SP | Honda Spare Parts | Honda: 17622-888-010 - SPONGE, FUEL CAP BREATHER | | |
| 16 | 1 | HONDA_SP | Honda Spare Parts | Honda: 17624-ZE7-000 - PACKING, FUEL CAP | | |
| 17 | 1 | 118552065/0 | Gauge, Fuel Level | Honda: 17636-Z0L-010 | | |
| 21 | 1 | HONDA_SP | Honda Spare Parts | Honda: 90013-883-000 - BOLT, FLANGE, 6X12 (CT200) | | |
| 22 | 1 | HONDA_SP | Honda Spare Parts | Honda: 90015-883-000 - BOLT, FLANGE, 6X28 (CT200) | | |
| 23 | 1 | HONDA_SP | Honda Spare Parts | Honda: 91424-Z8B-901 - TUBE, FUEL, 4.5X110 | | |
| 24 | 1 | HONDA_SP | Honda Spare Parts | Honda: 91427-Z8B-901 - TUBE, FUEL, 7.3X160 | | |
| 26 | 1 | HONDA_SP | Honda Spare Parts | Honda: 93913-25220 - SCREW, TAPPING, 5X12 (PO) | | |
| 27 | 2 | HONDA_SP | Honda Spare Parts | Honda: 95002-50000 - CLIP, TUBE (C9) | | |
| 29 | 2 | HONDA_SP | Honda Spare Parts | Honda: 95002-02130 - CLIP, TUBE (B12.5) | | |

www.emc-motocycle.com

Flywheel - GCV160A0 S4 LE SD

| Réf. N° | Q.té : | Code article | Description | Articles | De | Jusqu'à |
|---------|--------|--------------|---|--|----|---------|
| 1 | 1 | 118551807/0 | Key, Special Woodruff, 25X18 | Honda: 13331-Z8B-900 | | |
| 3 | 1 | 118551699/0 | Coil Assy., Ignition (Tec) (Use For F/W | Honda: 30500-ZL8-014 | | |
| 4 | 1 | 118552168/0 | Flywheel Assy. (Tec) (Use For Ign. Coil | Honda: 31105-ZM0-000 | | |
| 5 | 1 | HONDA_SP | Honda Spare Parts | Honda: 32195-Z0L-000 - CORD, STOP SWITCH | | |
| 6 | 1 | 118552202/0 | Switch Assy., Engine Stop (N.C) | Honda: 35120-ZM0-003 | | |
| 7 | 1 | 118552208/0 | Brake Assy. | Honda: 75100-Z0L-901 | | |
| 8 | 1 | 118552214/0 | Spring, Brake Lever | Honda: 75113-ZM0-000 | | |
| 10 | 1 | HONDA_SP | Honda Spare Parts | Honda: 90014-952-000 - BOLT, FLANGE, 6X14 (CT200) | | |
| 11 | 1 | HONDA_SP | Honda Spare Parts | Honda: 90018-ZE1-000 - BOLT, FLANGE, 6X23 (CT200) | | |
| 12 | 1 | HONDA_SP | Honda Spare Parts | Honda: 90018-ZE1-000 - BOLT, FLANGE, 6X23 (CT200) | | |
| 13 | 1 | HONDA_SP | Honda Spare Parts | Honda: 90201-Z0T-800 - NUT, SPECIAL, 14MM | | |
| 14 | 1 | HONDA_SP | Honda Spare Parts | Honda: 90681-959-003 - CLIP A, CABLE (NIFCO) (3.8MM BLACK) | | |
| 15 | 1 | HONDA_SP | Honda Spare Parts | Honda: 93892-0401200 - SCREW-WASHER, 4X12 | | |
| 16 | 1 | HONDA_SP | Honda Spare Parts | Honda: 94103-04000 - WASHER, PLAIN, 4MM | | |
| 21 | 1 | HONDA_SP | Honda Spare Parts | Honda: 75110-Z0L-901 - BRAKE SUB ASSY. | | |

www.emc-motocycle.com

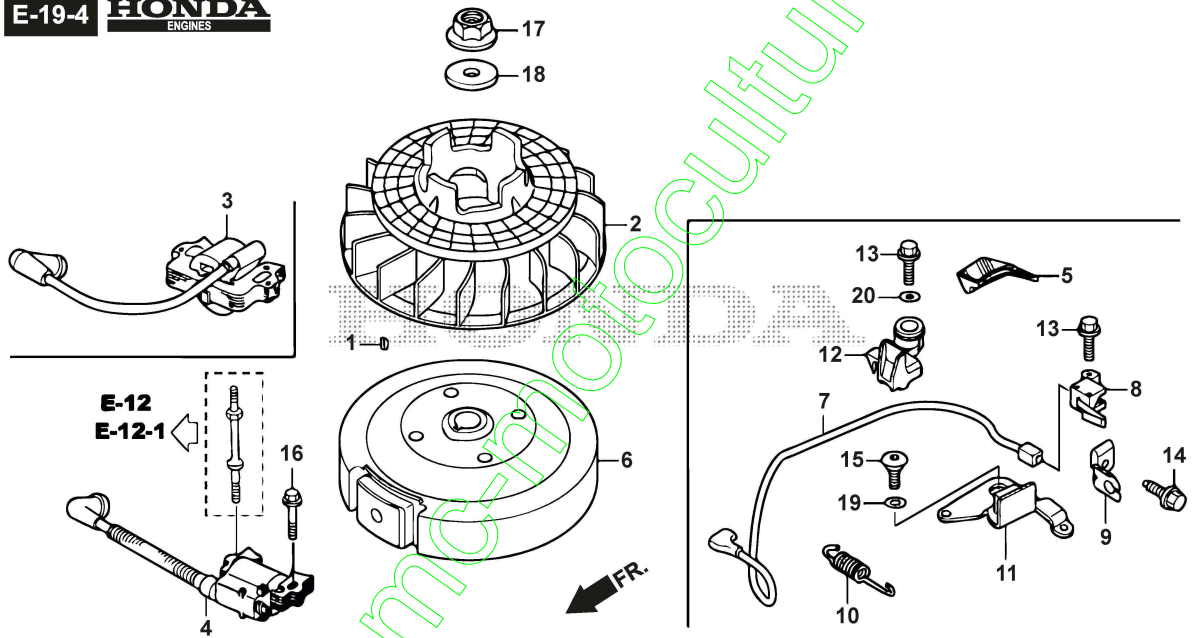


Control - GCV160A0 S4 LE SD

| Réf. N° | Q.té : | Code article | Description | Articles | De | Jusqu'à |
|---------|--------|--------------|-------------------------|--|----|---------|
| 1 | 1 | 118551984/0 | Arm, Governor | Honda: 16551-ZM0-010 | | |
| 2 | 1 | 118551985/0 | Rod, Governor | Honda: 16555-Z0L-801 | | |
| 3 | 1 | 118551993/0 | Spring, Governor | Honda: 16561-Z0L-000 | | |
| 4 | 1 | 118552003/0 | Spring, Throttle Return | Honda: 16562-ZM0-000 | | |
| 10 | 1 | HONDA_SP | Honda Spare Parts | Honda: 90015-ZE5-010 - BOLT, GOVERNOR ARM | | |
| 13 | 1 | HONDA_SP | Honda Spare Parts | Honda: 94050-06000 - NUT, FLANGE, 6MM | | |

www.emc-motoculture.com

E-19-4 **HONDA**
ENGINES

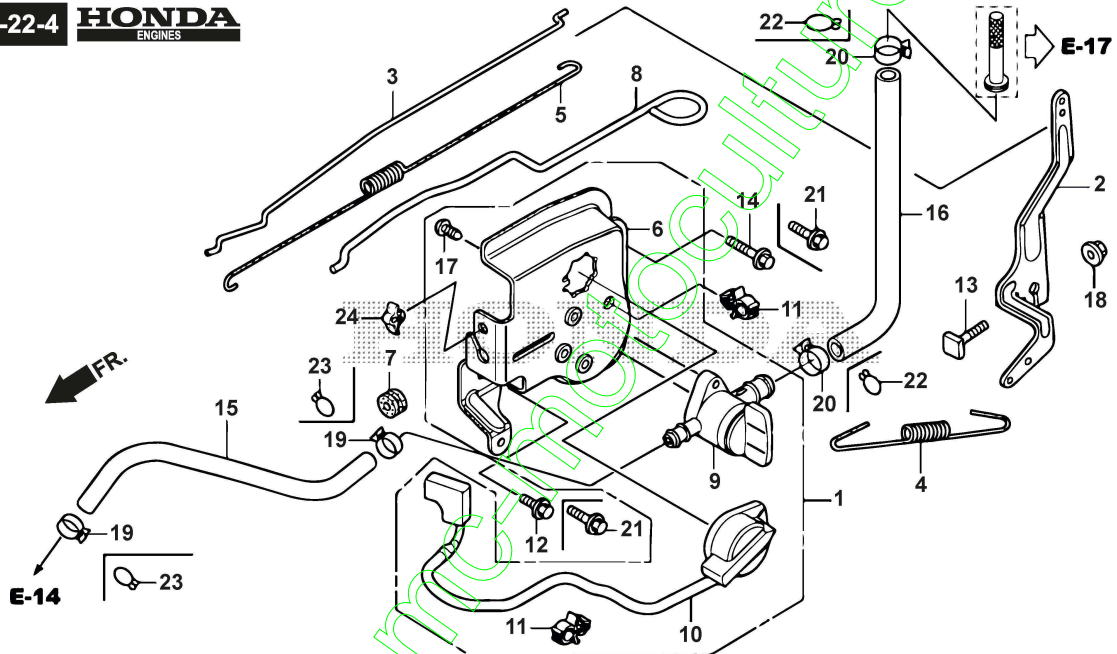


Flywheel - GCV160A0 S4 GB SD

| Réf. N° | Q.té : | Code article | Description | Articles | De | Jusqu'à |
|---------|--------|--------------|-------------------------------|---|----|---------|
| 1 | 1 | 118551807/0 | Key, Special Woodruff, 25X18 | Honda: 13331-Z8B-900 | | |
| 2 | 1 | 118552097/0 | Fan, Cooling | Honda: 19511-Z8B-900 | | |
| 3 | 1 | 118551695/0 | Coil Assy., Ignition (Phelon) | Honda: 30500-Z8B-903 | | |
| 5 | 1 | HONDA_SP | Honda Spare Parts | Honda: 30549-Z8B-900 - CLAMPER, CORD | | |
| 6 | 1 | 118552170/0 | Flywheel Comp. (Phelon) | Honda: 31110-Z0Y-003 | | |
| 7 | 1 | 118552196/0 | Cord, Stop Switch | Honda: 32195-Z8B-901 | | |
| 8 | 1 | 118552200/0 | Switch Assy., Engine Stop | Honda: 35120-Z8B-902 | | |
| 9 | 1 | 118552207/0 | Bracket, Brake Cable | Honda: 43416-Z8B-900 | | |
| 10 | 1 | 118552212/0 | Spring, Brake Lever | Honda: 75113-Z8B-900 | | |
| 11 | 1 | 118552215/0 | Arm Comp., Brake | Honda: 75120-Z8B-901 | | |
| 12 | 1 | 118552216/0 | Spring, Tensioner | Honda: 75573-Z8B-901 | | |
| 13 | 2 | HONDA_SP | Honda Spare Parts | Honda: 90001-Z8B-900 - BOLT, SPECIAL, 5X16 | | |
| 14 | 1 | HONDA_SP | Honda Spare Parts | Honda: 90007-Z8B-900 - BOLT, FLANGE, 6X14 | | |
| 15 | 1 | HONDA_SP | Honda Spare Parts | Honda: 90009-Z8B-900 - BOLT, SPECIAL | | |
| 16 | 1 | HONDA_SP | Honda Spare Parts | Honda: 90018-ZE1-000 - BOLT, FLANGE, 6X23 (CT200) | | |
| 17 | 1 | HONDA_SP | Honda Spare Parts | Honda: 90201-Z0T-800 - NUT, SPECIAL, 14MM | | |
| 18 | 1 | HONDA_SP | Honda Spare Parts | Honda: 90401-Z8B-900 - WASHER, 14X45 | | |
| 19 | 1 | HONDA_SP | Honda Spare Parts | Honda: 90402-Z8B-900 - WASHER, SPECIAL | | |
| 20 | 1 | HONDA_SP | Honda Spare Parts | Honda: 94103-05800 - WASHER, PLAIN, 5MM | | |

www.emc-motocycle.com

E-22-4 **HONDA**
ENGINES



Control - GCV160A0 S4 GB SD

| Réf. N° | Q.té : | Code article | Description | Articles | De | Jusqu'à |
|---------|--------|--------------|-------------------------|--|----|---------|
| 2 | 1 | 118551984/0 | Arm, Governor | Honda: 16551-ZM0-010 | | |
| 3 | 1 | 118551985/0 | Rod, Governor | Honda: 16555-Z0L-801 | | |
| 4 | 1 | 118551994/0 | Spring, Governor | Honda: 16561-Z0L-900 | | |
| 5 | 1 | 118552003/0 | Spring, Throttle Return | Honda: 16562-ZM0-000 | | |
| 13 | 1 | HONDA_SP | Honda Spare Parts | Honda: 90015-ZE5-010 - BOLT, GOVERNOR ARM | | |
| 18 | 1 | HONDA_SP | Honda Spare Parts | Honda: 94050-06000 - NUT, FLANGE, 6MM | | |

www.emc-motoculture.com