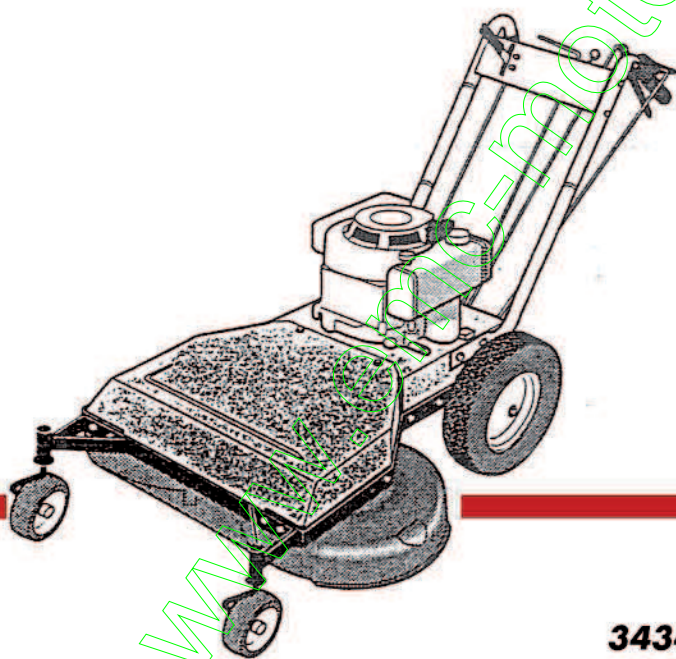




**Bolens**

# PIECES DETACHEES

**Tondeuse à conducteur Marchant**



**34365**

**8.5 HP/Recoil Start**

**Numéros séries :**

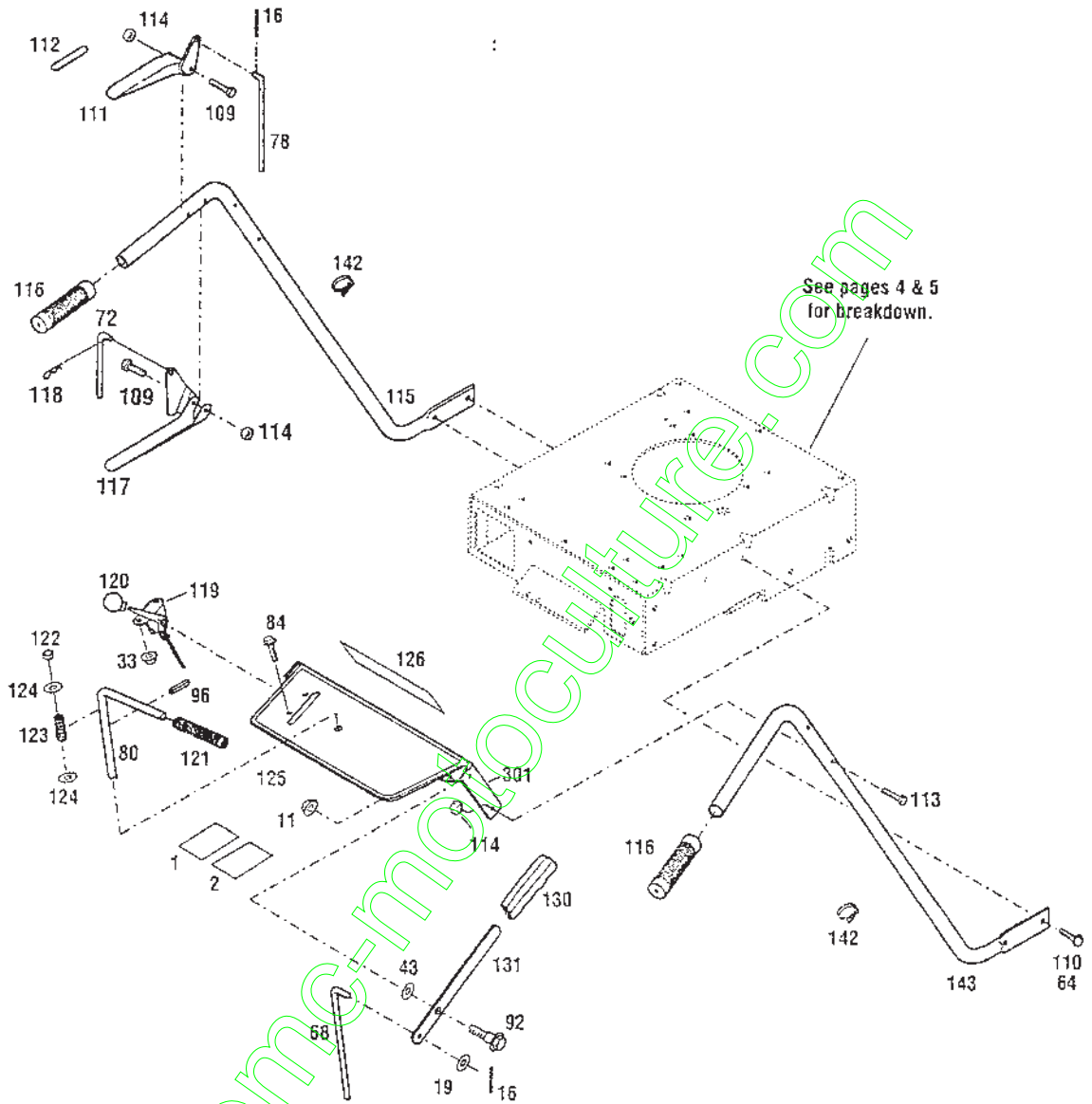
**343451100101 - 345651199999**



Yvon Béal - 21, av. de l'Agriculture - B.P 16  
Z.I. du Bécrot - 63014 Clermont-Ferrand Cedex 2  
Tel : 04 73 93 93 51 - Télécopie : 04 73 93 23 11  
www.yvonbeal.fr - E-mail : info@yvonbeal.fr  
R.C.S. N 204 973 886 - S.A.S. au capital de 612 000 €

**03-000102-050117**

# Wide-Cut Mulching Mower



## HANDLEBAR AND CONSOLE ASSEMBLY

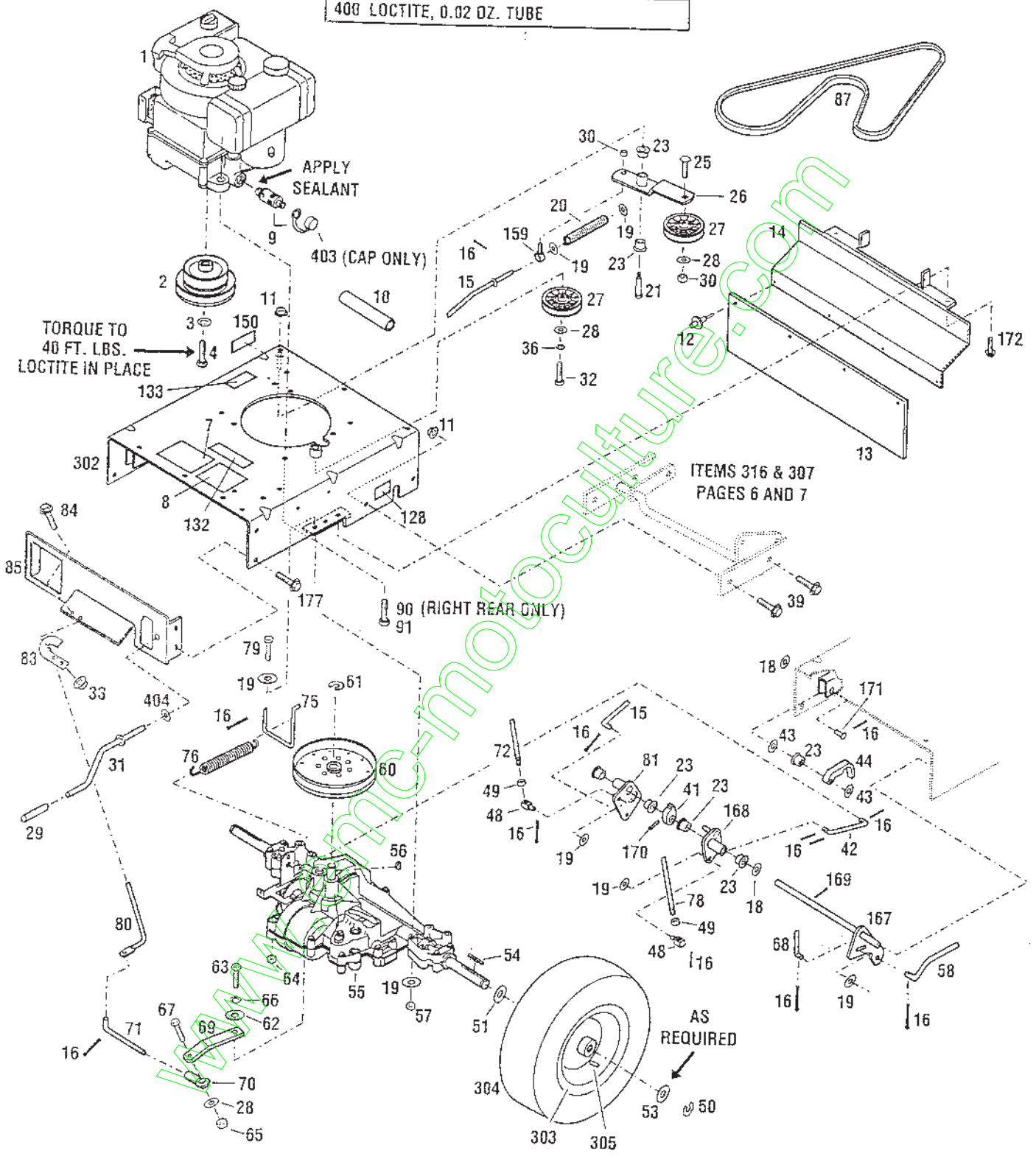
HANDLEBAR AND CONSOLE ASSEMBLY

Ref.	Part	Description	Qty.	Ref.	Part	Description	Qty.
1	1916420	Warning Decal - Read Owner's Manual Before Servicing Unit.....	1	113	1915793	Screw, 1/4-20 x 1-3/4, Grade 8 .....	4
2	1917178	Warning Decal - Read Owner's Manual Before Using Unit.....	1	114	1734398	Locknut, 1/4-20 .....	2
11	1186393	Flange Locknut, 3/8-16.....	1	115	1764922010	Left Handlebar .....	1
16	1185147	Cotter Pin, 3/32 x 5/8 .....	2	116	1703539	Handle Grip .....	2
19	1107382	Flat Washer, 5/16 .....	4	117	1773605001	Control Handle .....	1
33	1186389	Flange Locknut, 1/4-20.....	2	118	1717897	Hair Pin, 5/64 .....	1
43	1702646	Flat Washer, 1/2 .....	1	119	1768191	Throttle Control .....	1
64	1186391	Flange Locknut, 5/16-18.....	4	120	1737118	Knob.....	1
68	1769888	Upper Blade Rod .....	1	121	1737041	Handle Grip .....	1
72	1773607	Upper Transmission Rod.....	1	122	1715716	Nylon Bushing.....	1
78	1769872	Upper Brake Rod .....	1	123	1721492	Compression Spring.....	1
80	1769874	Shift Rod .....	1	124	1107385	Flat Washer, 1/2 .....	1
84	1186308	Flange Lock Screw, 1/4-20 x 1/2 .....	2	125	1917603	Warning Decal .....	1
92	1703051	Shoulder Bolt .....	1	126	1918210	Logo Decal .....	1
96	1185279	Roll Pin, 1/4 x 2-1/4 .....	1	130	1764984	Handle Grip .....	1
109	1111601	Hex Screw, 1/4-20 x 1-3/4 .....	2	131	1768223	Mower Engage Lever.....	1
110	1186329	Flange Lock Screw, 5/16 x 3/4 .....	4	142	1735531	Plastic Tie.....	4
111	1770445001	Control Handle .....	1	143	1764923010	Right Handlebar .....	1
112	1768452	Operator Presence Control Decal .....	1	301	1768640	Console Assembly (Incl. Ref. 125) .....	1

www.emc-motocultor.com

# Wide-Cut Mulching Mower

400 LOCTITE, 0.02 OZ. TUBE



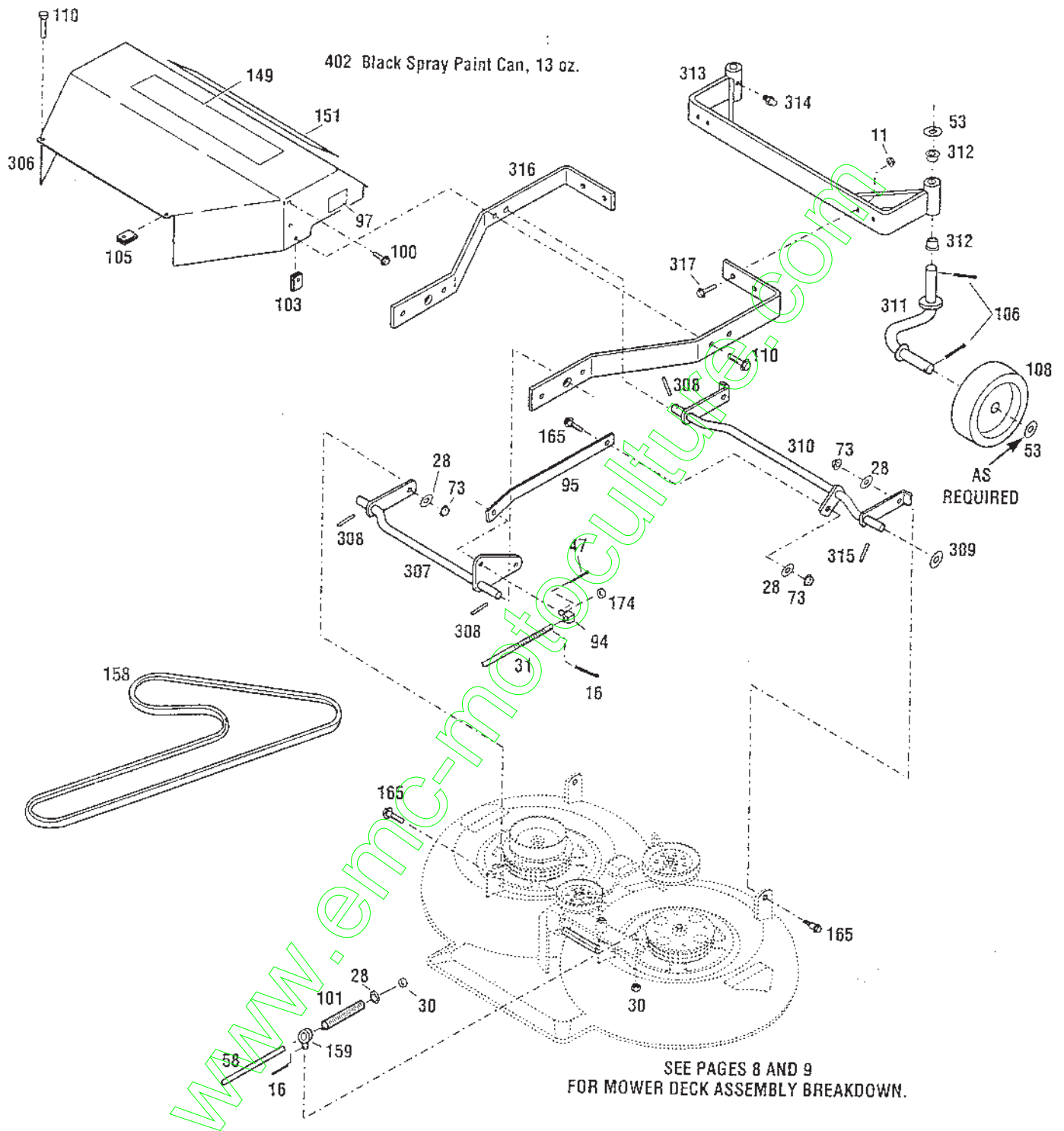
## DRIVE ASSEMBLY

## DRIVE ASSEMBLY

Ref.	Part	Description	Qty.	Ref.	Part	Description	Qty.
1	*	Engine, 8.5 HP .....	1	60	1770326	Transaxle Pulley .....	1
2	1769904	Engine Pulley .....	1	61	1118808	Retaining Ring.....	1
3	1100244	Lock Washer, 7/16 .....	1	62	1107381	Flat Washer, 1/4 .....	3
4	1740949	Screw, 7/16-20 x 1-3/4 .....	1	63	1100002	Screw, 1/4-28 x 3/4.....	1
7	1916418	Warning Decal .....	1	65	1110108	Hex Locknut.....	1
8	1916422	Warning Decal.....	1	66	1100241	Lock Washer, 1/4.....	1
9	1768865	Oil Valve (Incl. Ref. 403) .....	1	67	1100043	Screw, 3/8 x 1-1/4.....	1
10	1769006	Oil Drain Hose .....	1	68	1769888	Upper Blade Rod .....	1
11	1186393	Flange Locknut, 3/8-16.....	5	69	1768140	Transmission Arm.....	1
12	1727379	Pop Rivet, 3/16 .....	4	70	1767837	Ball Joint.....	1
13	1769870	Flap .....	1	71	1768628	Shift Link Rod .....	1
14	1769869001	Flap Bracket.....	1	72	1769873	Upper Transmission Rod.....	1
15	1769885	Lower Transmission Rod .....	1	75	1768624	Spring Attachment Rod.....	1
16	1185147	Cotter Pin, 3/32 x 5/8 .....	11	76	1768636	Extension Spring .....	1
18	1890234	Flat Washer, 1/2 .....	2	78	1769872	Upper Brake Rod.....	1
19	1107382	Flat Washer, 5/16 .....	7	79	1111609	Screw, 5/16-18 x 2-3/4 .....	2
20	1711864	Compression Spring.....	1	80	1769874	Shift Rod .....	1
21	1763219	Shoulder Bolt .....	1	81	1769875	Clutch Arm Pivot .....	1
23	1715538	Nyliner, 1/2.....	7	83	1768630001	Shift Rod Bracket .....	1
25	1748393	Carriage Bolt, 3/8-16 x 1-3/4.....	1	84	1186308	Flange Lock Screw, 1/4-20 x 1/2 .....	2
26	1764920	Idler Arm .....	1	85	1769852010	Backplate .....	1
27	1756151	Idler Pulley .....	2	87	1770334	V-Belt .....	1
28	1107383	Flat Washer, 3/8 .....	3	90	1768194	Thread Forming Screw, 3/8-16 x 1-1/2..	1
29	1715685	Plastic Grip.....	1	91	1762042	Thread Forming Screw, 3/8-16 x 1 .....	3
30	1733398	Top Locknut, 3/8-16.....	1	128	1769834	CE Decal.....	1
31	1769895	Lift Crank Assembly .....	1	132	1903588	Caution Decal .....	1
32	1100086	Screw, 3/8-16 x 1-3/4 .....	1	133	1903584	Warning Decal.....	1
33	1186389	Flange Locknut, 1/4-20.....	4	150	1918129	Sound Level Decal.....	1
36	1100243	Lock Washer, 3/8 .....	1	159	1769038	Eye Bolt .....	2
39	1186347	Flange Lock Screw, 3/8-16 x 1 .....	4	162	1769025	Muffler Guard.....	1
41	1769881	Interlock Cam .....	1	163	1756119	Thread Forming Screw .....	2
42	1769877	Lower Brake Rod.....	1	167	1769882	Pivot Shaft Assembly .....	1
43	1185831	Flat Washer, 1/2 .....	2	168	1769878	Brake Arm .....	1
44	1770361	Interlock Latch .....	1	169	1100350	Cotter Pin .....	3
48	1725264	Swivel Block.....	2	170	1187961	Drive Pin, 5/32 x 1.....	1
49	1186258	Jam Nut, 5/16-18 .....	2	171	1730851	Clevis Pin, 1/2 x 1-1/4 .....	1
50	1185388	Retaining Ring.....	2	172	1724491	Screw, 5/16-18 x 3/4.....	2
51	1708012	Flat Washer .....	4	177	1740496	Flange Screw, 5/16-18 x 3/4.....	2
52	1774130	Wheel & Tire Assembly (Incl. Refs. 303, 304 and 305).....	2	302	1915752	Frame Weldment Ass'y (Incl. Ref. 7).....	1
53	1701447	Special Washer .....	A/R	303	1768180	Wheel Rim.....	2
54	1769781	Square Key, 3/16 x 2-1/2.....	2	304	1774129	Tire .....	2
55	*	Transmission Assembly, Model 915-027 (See page 10 for breakdown.).....	1	305	1718086	Valve Stem .....	2
56	1104436	Woodruff Key, 3/16 x 3/4 .....	1	400	97092	Loctite 242, 0.02 oz. Tube .....	N/I
57	1732499	Top Locknut, 5/16-18.....	4	403	1766326	Oil Valve Cap .....	1
58	1770247	Lower Blade Rod.....	1	404	1773599	Washer-Nylon .....	1

- Order parts from your local authorized engine dealer. Refer to engine for model/type number.
  - Order parts from your local Peerless - Tecumseh dealer.
- A/R As required.  
N/I Item not included with unit; order separately.

# Wide-Cut Mulching Mower



FRONT FRAME ASSEMBLY

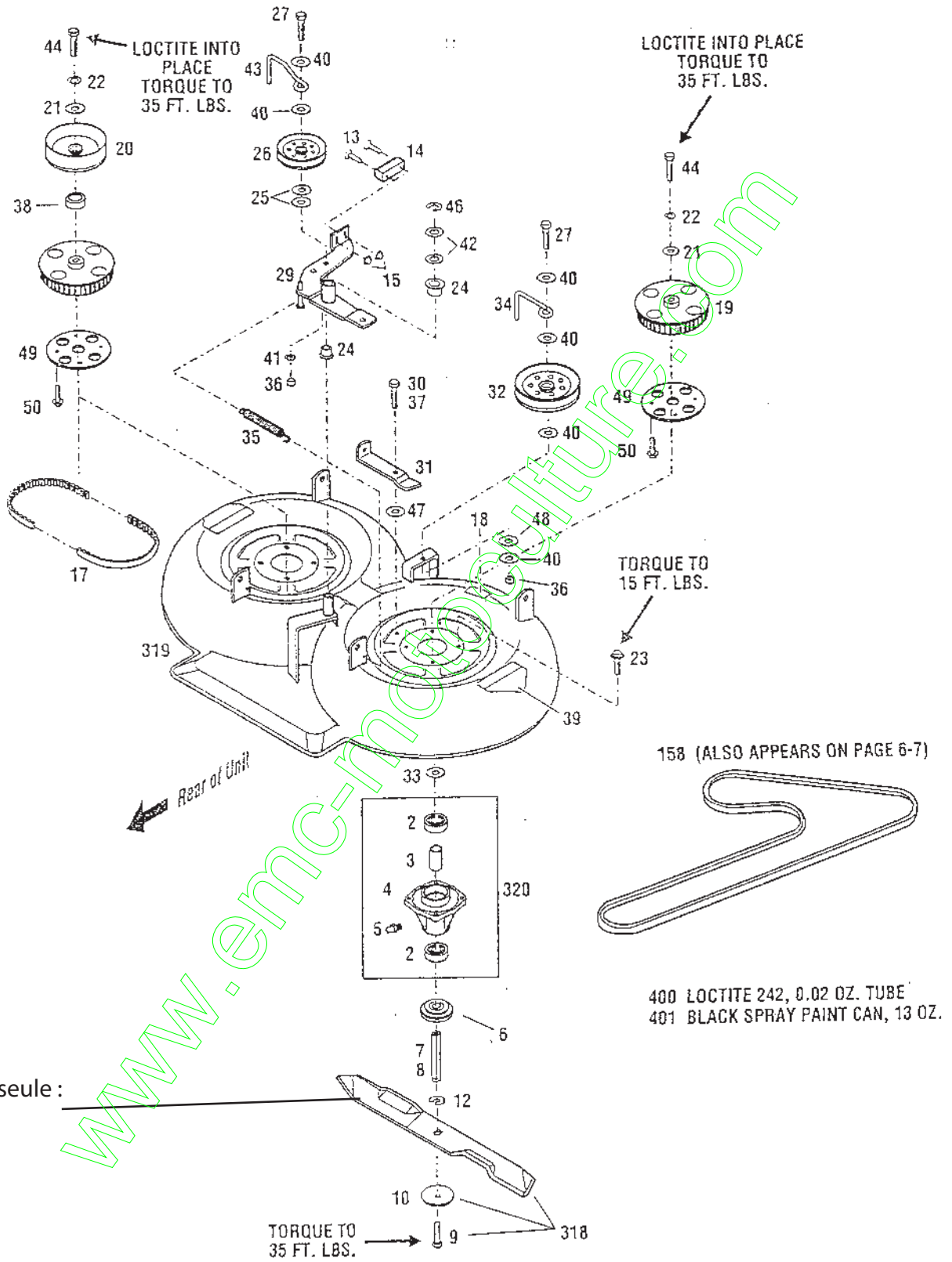
FRONT FRAME ASSEMBLY

Ref.	Part	Description	Qty.	Ref.	Part	Description	Qty.
11	1186393	Flange Locknut, 3/8-16.....	9	149	1918211	Logo Decal.....	1
16	1185147	Cotter Pin, 3/32 x 5/8.....	3	151	1768397	Mulching Deck Decal.....	1
28	1107383	Flat Washer, 3/8.....	6	158	1769767	V-Belt.....	1
30	1733398	Locknut, 3/8-16.....	2	159	1769038	Eye Bolt.....	1
31	1769895	Lift Crank.....	1	165	1754125	Shoulder Bolt.....	5
47	1100349	Cotter Pin.....	1	174	1770355	Toplock Nut.....	1
53	1701447	Special Washer.....	A/R	306	1764996010	Belt Guard.....	1
58	1770247	Lower Blade Rod.....	1	307	1769903	Rear Lift Assembly.....	1
73	1185506	Flange Locknut, 3/8-16.....	1	308	1185469	Roll Pin, 1/4 x 1.....	1
94	1768231	Pivot Block.....	1	309	1107386	Flat Washer, 5/8.....	1
95	1769521001	Leveler Bar.....	1	310	1770248001	Front Lift Assembly.....	1
97	1915625	Cutting Height Decal.....	1	311	1768477001	Spindle Assembly.....	2
100	1769344	Tap Screw, #8 x 3/8.....	8	312	1764140	Flange Bearing.....	4
101	1769007	Compression Spring.....	1	313	1769743001	Gage Support.....	1
103	1185498	Speed Nut, 5/16-18.....	2	314	1185976	Grease Fitting.....	2
105	1185873	Speed Nut, 5/16-18.....	2	315	1185759	Drive Pin, 1/4 x 3.....	1
106	1100352	Cotter Pin.....	4	316	1769899001	Mower Support.....	2
108	1743891	Gage Wheel.....	2	317	1186347	Whizlock Screw, 3/8-16 x 1.....	4
110	1186329	Flange Lock Screw, 5/16 x 3/4.....	4				

N/I Item not included with unit; order separately.  
A/R As Required

www.emc-motoculture.com

# Wide-Cut Mulching Mower



MOWER DECK ASSEMBLY



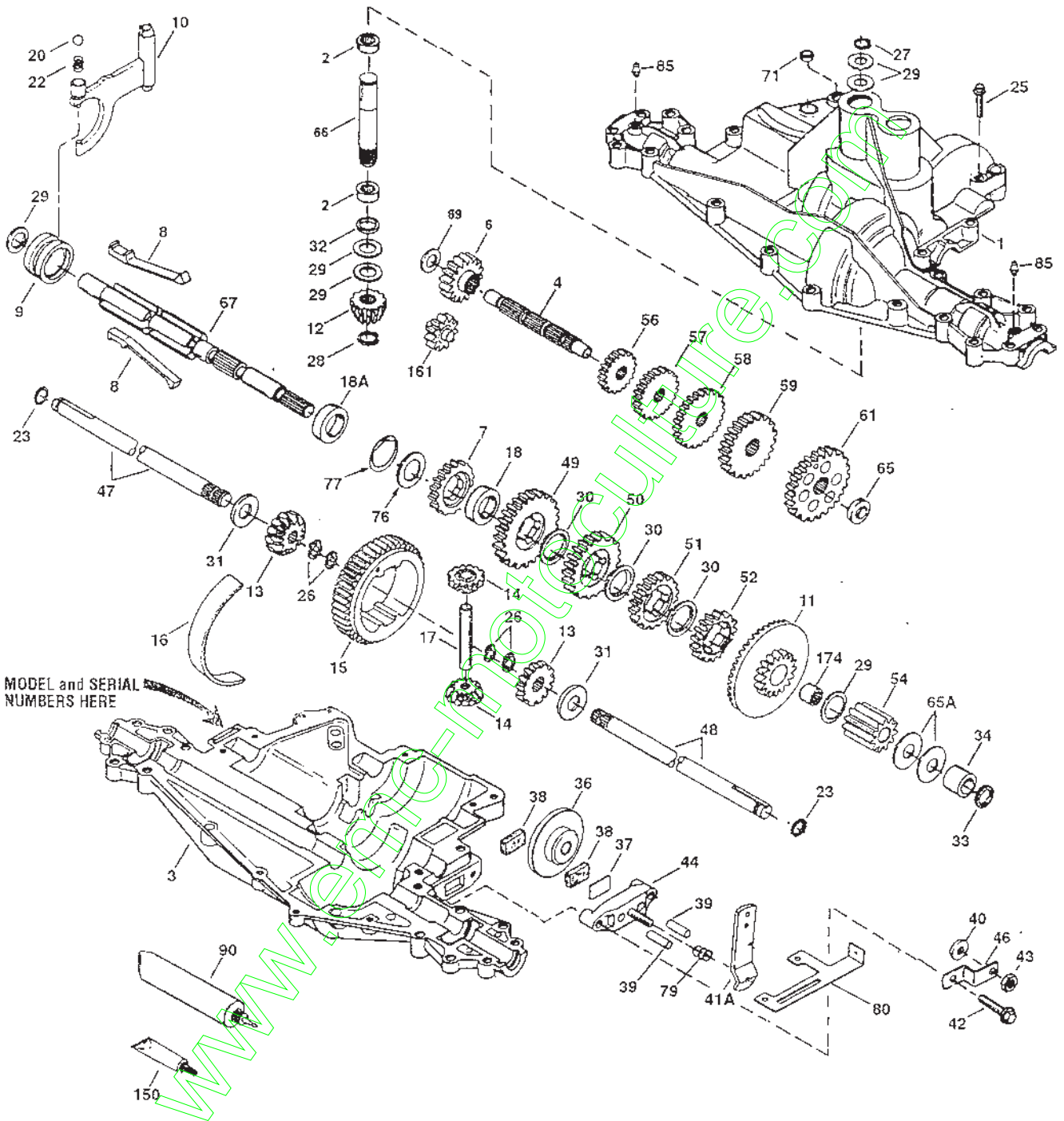
MOWER DECK ASSEMBLY

Ref.	Part	Description	Qty.	Ref.	Part	Description	Qty.
2	1185574	Ball Bearing .....	4	31	1769768001	Belt Tension Adjustment Bracket .....	1
3	1746869	Spacer .....	2	32	1749911	Idler Pulley .....	1
4	1765092	Mower Spindle Housing .....	2	33	1766787	Flat Washer, 3/4 .....	2
5	1731504	Grease Fitting .....	2	34	1720717	Belt Guide .....	1
6	1765029	Blade Spacer .....	2	35	1756595	Extension Spring .....	1
7	1766061	Right Spindle Shaft .....	1	36	1186231	Nut, 3/8-16 .....	2
8	1768169	Left Spindle Shaft (long) .....	1	37	1732499	Locknut, 5/16-18 .....	1
9	1765196	Screw, 7/16-14 x 1 .....	2	38	1723996	Pulley Spacer .....	1
10	1765197	Belleville Washer .....	2	39	1739687	Danger Decal .....	2
12	1185649	Retaining Ring .....	2	40	1768818	Flat Washer, 3/8 x 3/4 .....	6
13	1771081	Flat Head Screw, #10-24 x 1-1/4 .....	2	41	1100243	Lock Washer, 3/8 .....	1
14	1771083	Brake Pad .....	1	42	1701447	Flat Washer .....	2
15	1185985	Nylon Locknut, #10-24 .....	2	43	1764135	Belt Guide .....	1
17	1764995	Toothed Drive Belt .....	1	44	1769397	Screw, 7/16-14 x 1-1/4 .....	2
18	1916421	Caution Decal .....	1	46	1113527	Retaining Ring .....	1
19	1774220	Cogged Pulley, 56T .....	2	47	1982935	Flat Washer, 5/16 x 3/4 .....	1
20	1769362	Drive Pulley .....	1	48	1185715	Pyramid Washer, 3/8 .....	1
21	1736484	Flat Washer, 7/16 .....	2	50	1771925	Triplask Screw, 1/4-20 x 5/8 .....	8
22	1100244	Lock Washer, 7/16 .....	2	51	1771922001	Sprocket Plate .....	2
23	1766984	Flange Lock Screw, 5/16-18 x 3/4 .....	8	318	1769987	Mulching Blade Kit (Incl. Refs. 9 & 10) .....	1
24	1764140	Flange Bushing .....	2	319	1770660	Mower Deck Assembly (Incl. Refs. 18 & 39) .....	1
25	1701055	Flat Washer .....	2	320	1769048	Mower Spindle Assembly (Incl. Refs. 2, 3, 4 & 5) .....	2
26	1762794	Idler Pulley .....	1	490	97092	Loctite 242, 0.02 oz. Tube .....	N/I
27	1100062	Hex Head Capscrew, 3/8-16 x 2-1/2 .....	2				
29	1770803001	Idler Arm .....	1				
30	1100044	Screw, 5/16-18 x 3/4 .....	1				

N/I Item not included with unit; order separately.

www.emc-motoculture.com

# Peerless Transaxle



TRANSAXLE ASSEMBLY

Ref.	Part	Description	Qty.	Ref.	Part	Description	Qty.
1	772113	Transaxle Cover .....	1	39	786026	Dowel Pin .....	2
1	772135	Transaxle Cover .....	1	40	792076A	Washer .....	1
2	780086	Needle Bearing .....	2	41	790045	Brake Lever .....	1
3	770110	Transaxle Case .....	1	42	792073	Screw, 1/4-20 x 1-1/4" .....	2
4	776300	Countershaft .....	1	43	792075	Locknut, 5/16-24 .....	1
6	778281	Spur Gear (16 teeth) .....	1	44	790025	Brake Pad Holder .....	1
7	778122A	Spur Gear (22 teeth) .....	1	46	786086	Brake Lever Bracket .....	1
8	792160	Shift Key .....	4	47	774747	Axle (16-1/4" long) .....	1
9	784373	Shift Collar .....	1	48	774888	Axle (11" long) .....	1
10	784365	Shift Rod & Fork .....	1	49	778124A	Spur Gear (30 teeth) .....	1
11	778261	Bevel Gear & Bearing (Incl. 174) .....	1	50	778123A	Spur Gear (25 teeth) .....	1
12	778262	Bevel Pinion (14 teeth) .....	1	51	778122A	Spur Gear (22 teeth) .....	1
13	778221	Bevel Gear (16 teeth) .....	2	52	778273	Spur Gear (19 teeth) .....	1
14	778068	Differential Pinion .....	2	54	778263	Spur Gear (11 teeth) .....	1
15	778260	Ring Gear .....	1	56	778126A	Spur Gear (20 teeth) .....	1
16	786150	Bearing Strip .....	1	57	778127A	Spur Gear (25 teeth) .....	1
17	786139	Drive Pin .....	1	58	778128A	Spur Gear (28 teeth) .....	1
18	786147	Neutral Spacer .....	1	59	778129A	Spur Gear (30 teeth) .....	1
18A	786159	Neutral Spacer .....	1	61	778265	Spur Gear (34 teeth) .....	1
20	792077	Ball, 5/16" dia. ....	1	65	780162	Washer .....	1
22	792079	Spring .....	1	65A	780160	Washer .....	2
23	788061	Seal Ring .....	2	66	776299	Input Shaft .....	1
25	792073	Screw, 1/4-20 x 1-1/4" .....	17	67	776352	Shifter & Brake Shaft .....	1
26	792125	Retaining Ring .....	4	69	780161	Washer .....	1
27	792035	Retaining Ring .....	1	71	788069	Square Cut Ring .....	1
28	788040	Retaining Ring .....	1	76	780090	Washer .....	1
29	780072	Washer .....	6	77	788078A	Inverted Retaining Ring (pkg. of 2) .....	1
30	780108	Washer .....	3	79	792144	Spring .....	1
31	780001	Washer .....	2	80	790063A	Brake Bracket .....	1
32	792001	"O" Ring .....	1	85	792137	Lubrication Fitting .....	2
33	788076	"O" Ring .....	1	90	788067B	Grease (32 oz. btl. Bentonite grease) .....	1
34	780159	Bushing .....	1	150	510334	Gasket Eliminator (Loctite #515) .....	1
36	790071	Brake Disk .....	1	161	776302	Reverse Idler .....	1
37	790007	Brake Pad Plate .....	1	174	780085	Needle Bearing .....	1
38	799021	Brake Pad (pkg. of 2) .....	2				

ORDER ALL TRANSAXLE PARTS FROM YOUR LOCAL PEERLESS-TECUMSEH DEALER

www.enchmoto.com



**Yvan Béal - 21, av. de l'Agriculture - B.P. 16  
Z.I. du Brézet - 63014 Clermont-Ferrand Cedex 2  
Tél : 04 73 91 93 51 - Télécopie : 04 73 90 23 11  
www.yvanbeal.fr - E-mail : info@yvanbeal.fr  
R.C.S. Clermont-Fd B 304 973 886 - S.A.S. au capital de 612 000 €**